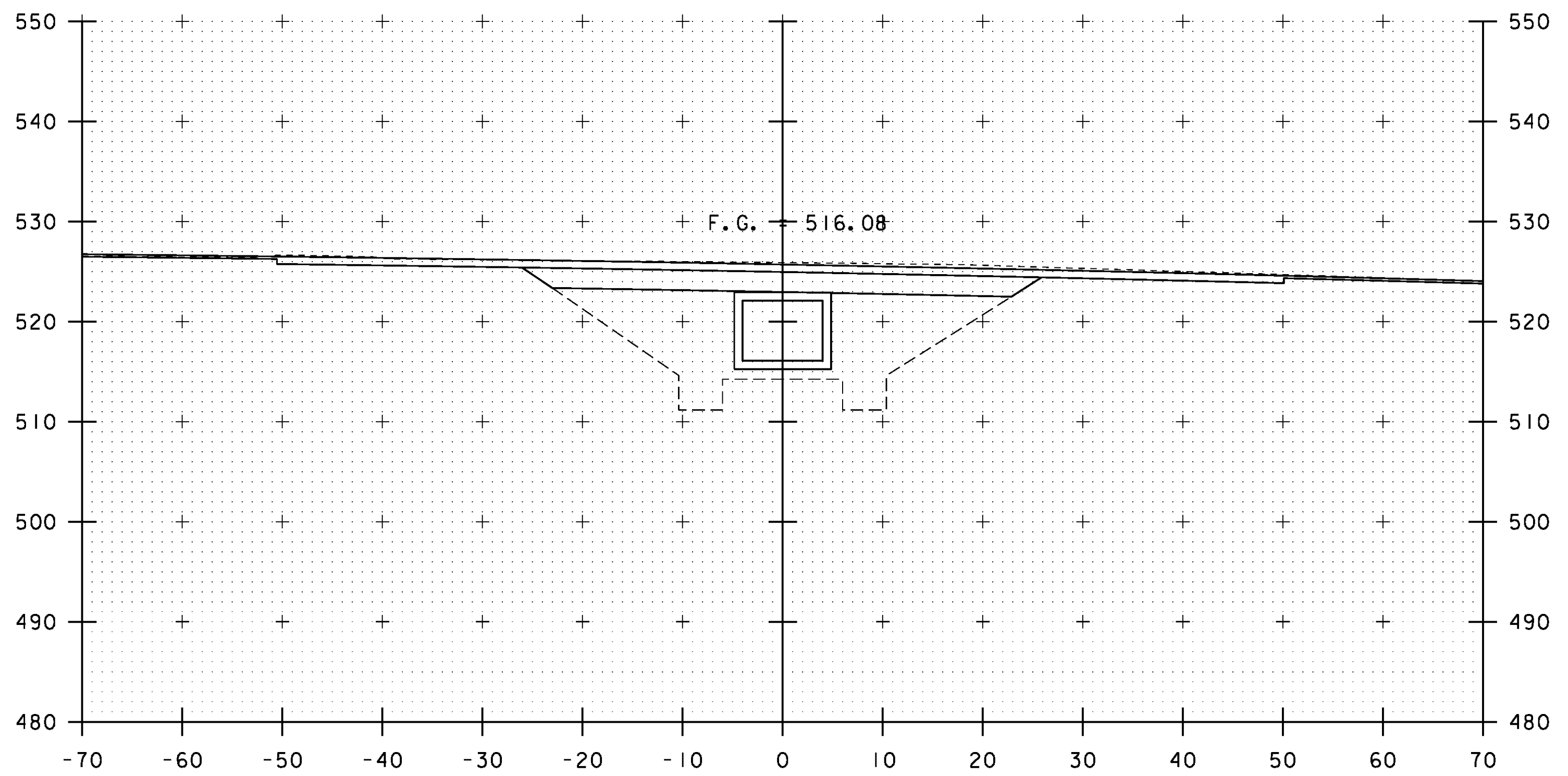
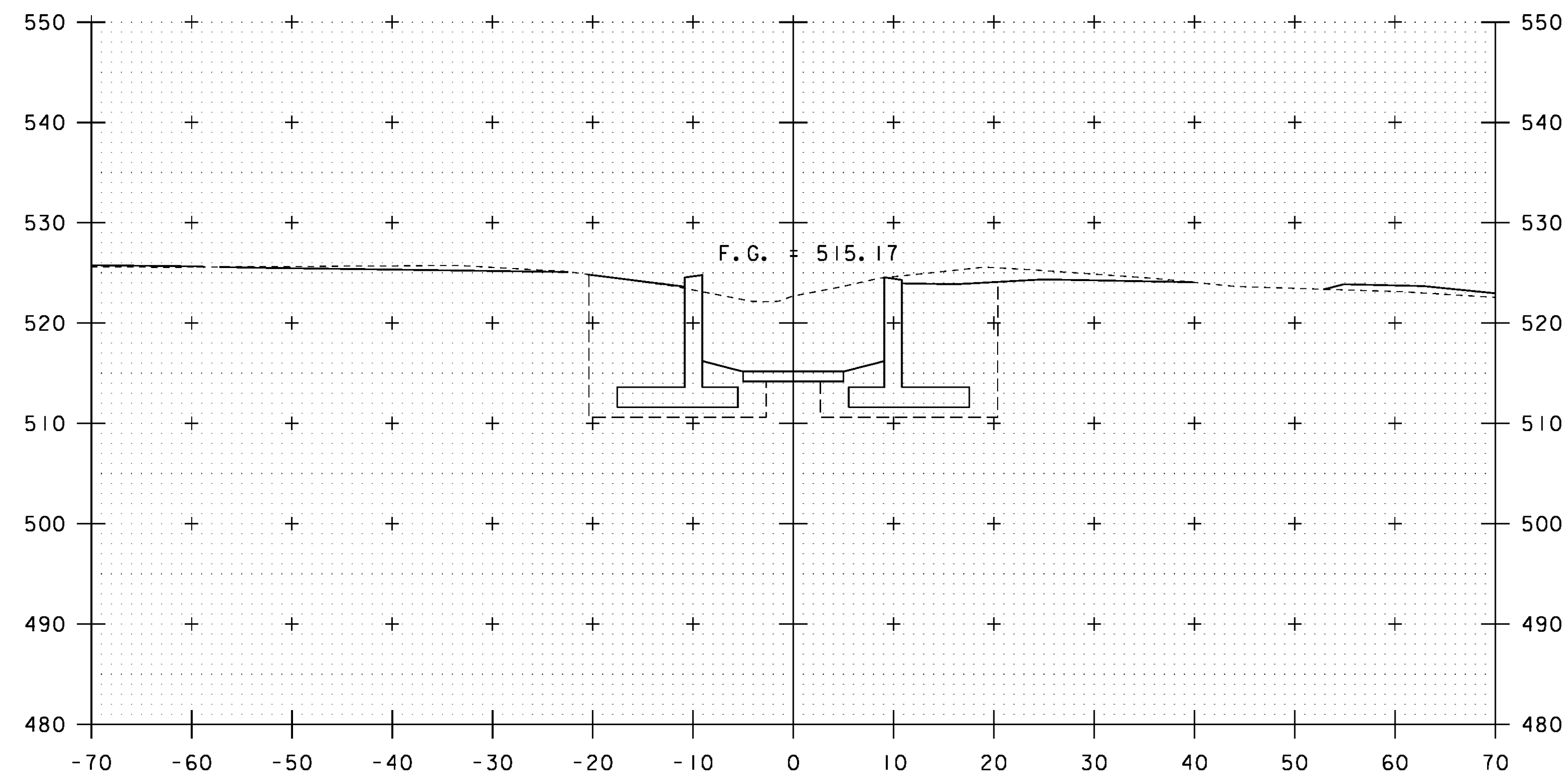


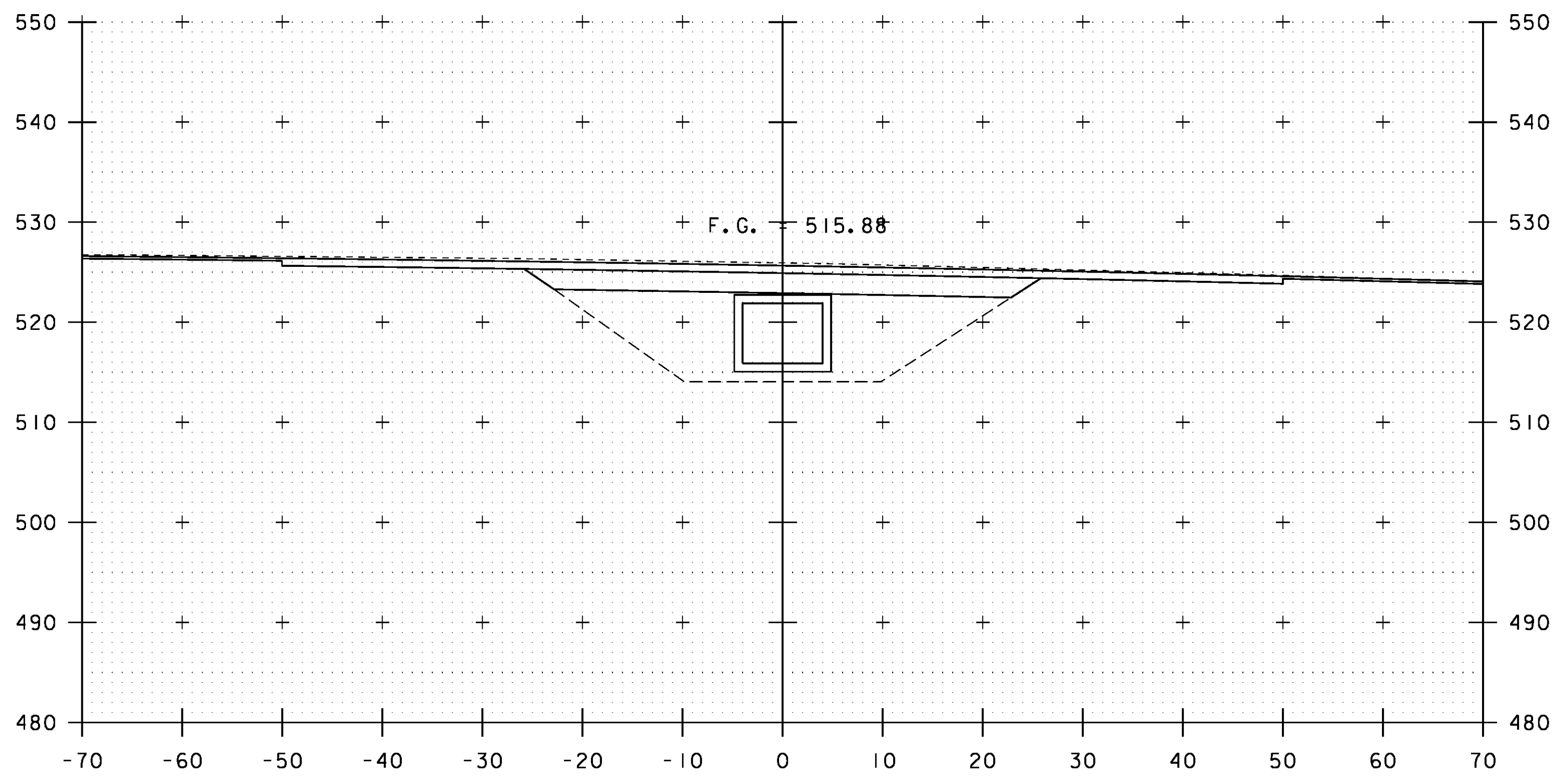
5+90



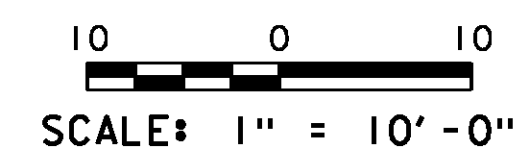
6+10



5+80



6+00



STA. 5+80 TO STA. 6+10

PROJECT NAME: ROYALTON	PLOT DATE: 08-OCT-2013
PROJECT NUMBER: BRS 0147(13)	DRAWN BY: G. ROY
FILE NAME: s86e05xsl_cattlepass3.dgn	CHECKED BY: D. PETERSON
PROJECT LEADER: C. CARLSON	SHEET 84 OF 186
DESIGNED BY: G. ROY	
CATTLE PASS CROSS SECTIONS (2)	