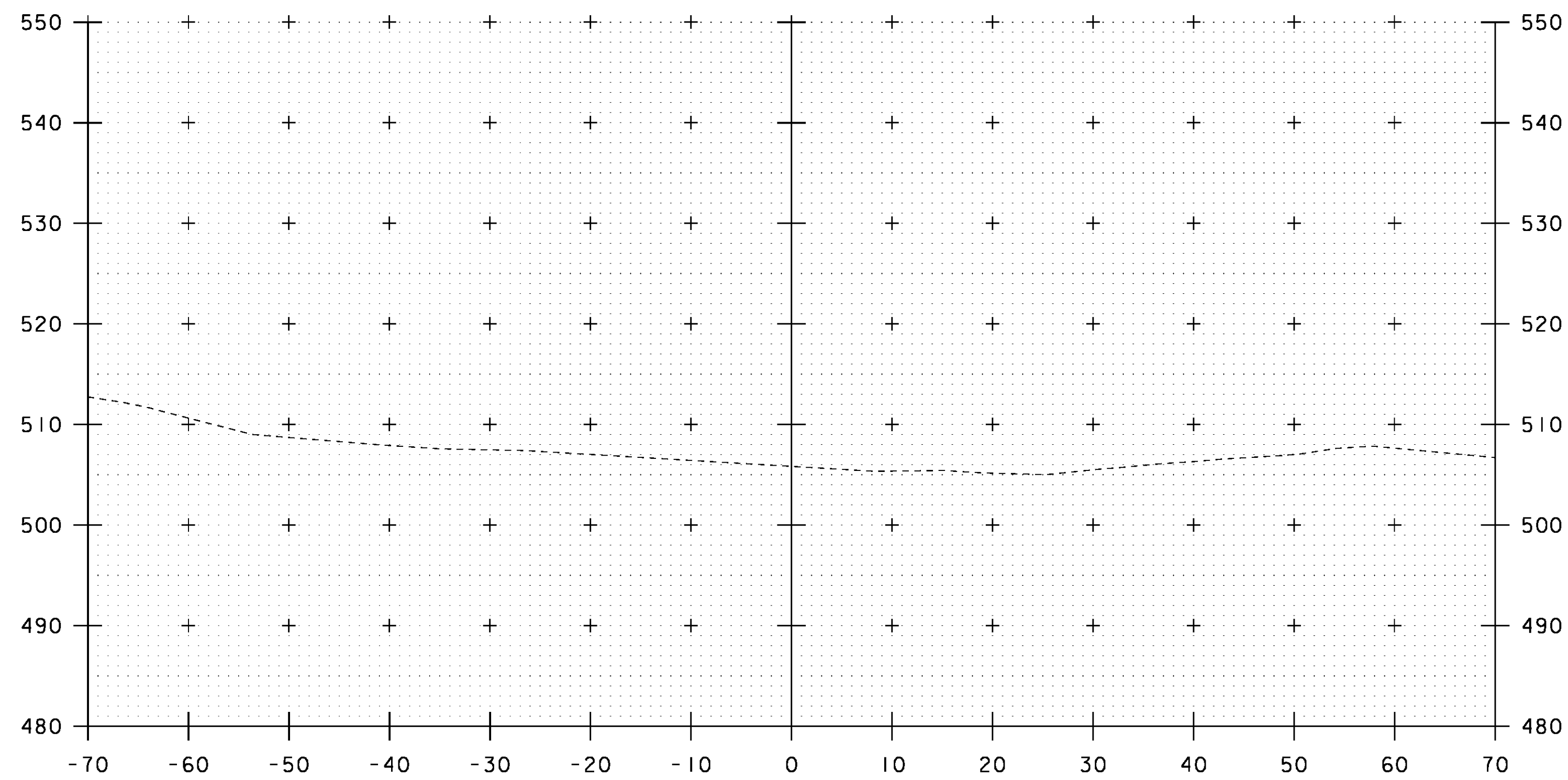
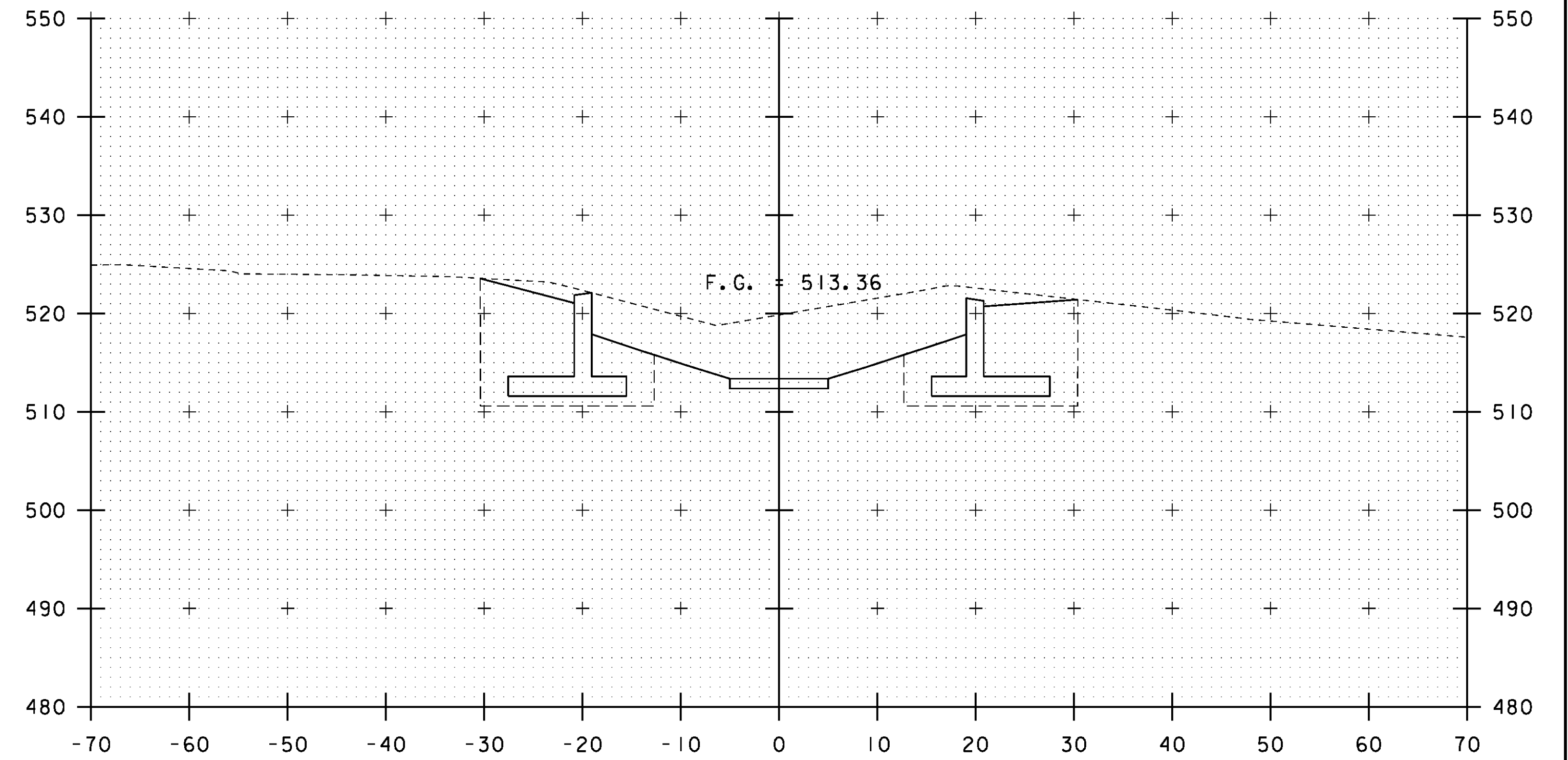


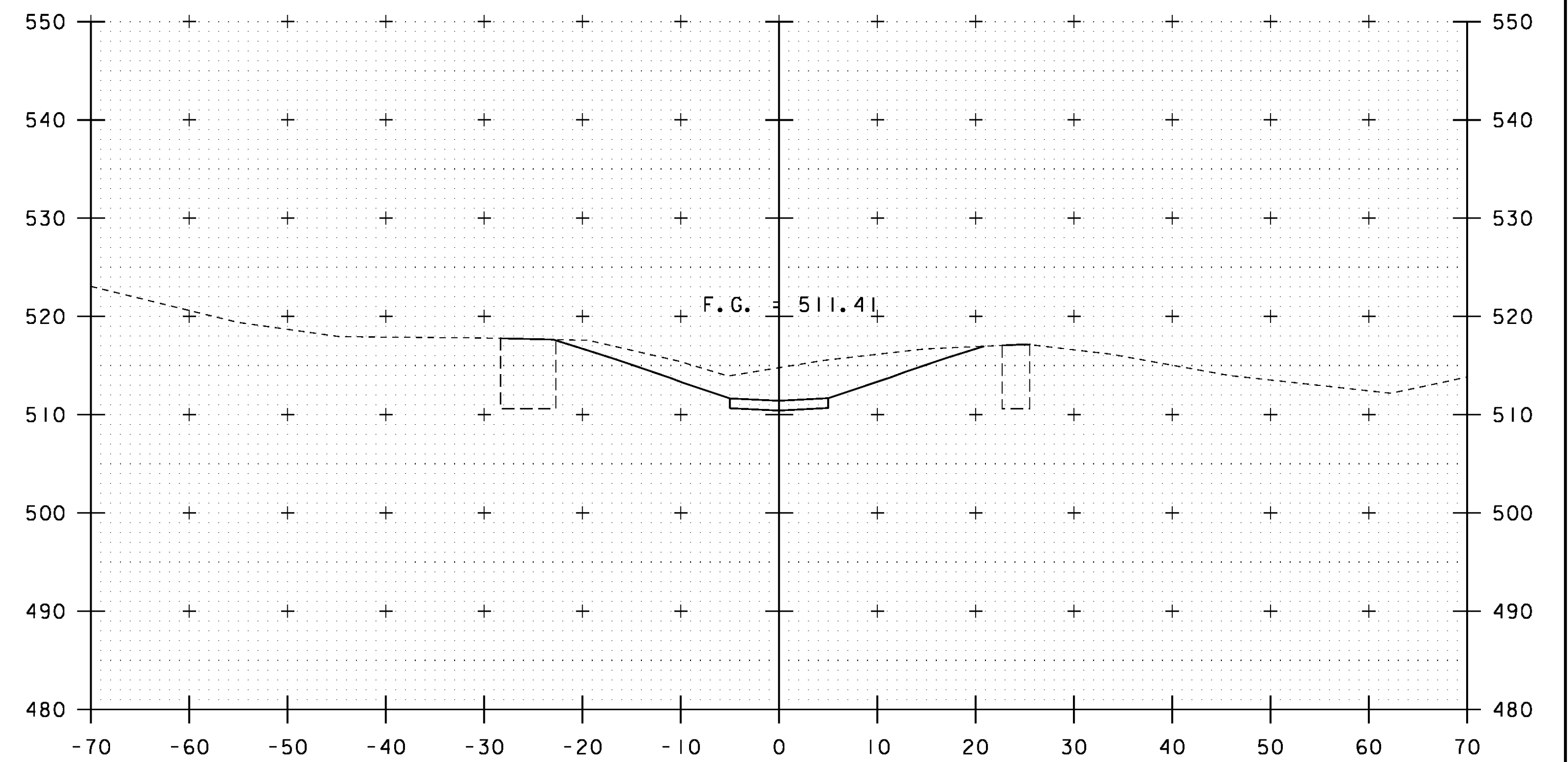
5+50



5+40

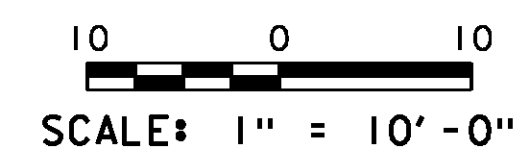


5+70



5+60

STA 5+53.59
BEGIN CATTLE PASS
MATCH EXISTING



STA. 5+40 TO STA. 5+70

PROJECT NAME:	ROYALTON	PLOT DATE:	08-OCT-2013
PROJECT NUMBER:	BRS 0147(13)	DRAWN BY:	G. ROY
FILE NAME:	s86e05xsl_cattlepass3.dgn	CHECKED BY:	D. PETERSON
PROJECT LEADER:	C. CARLSON	SHEET	83 OF 186
DESIGNED BY:	G. ROY	CATTLE PASS CROSS SECTIONS (1)	