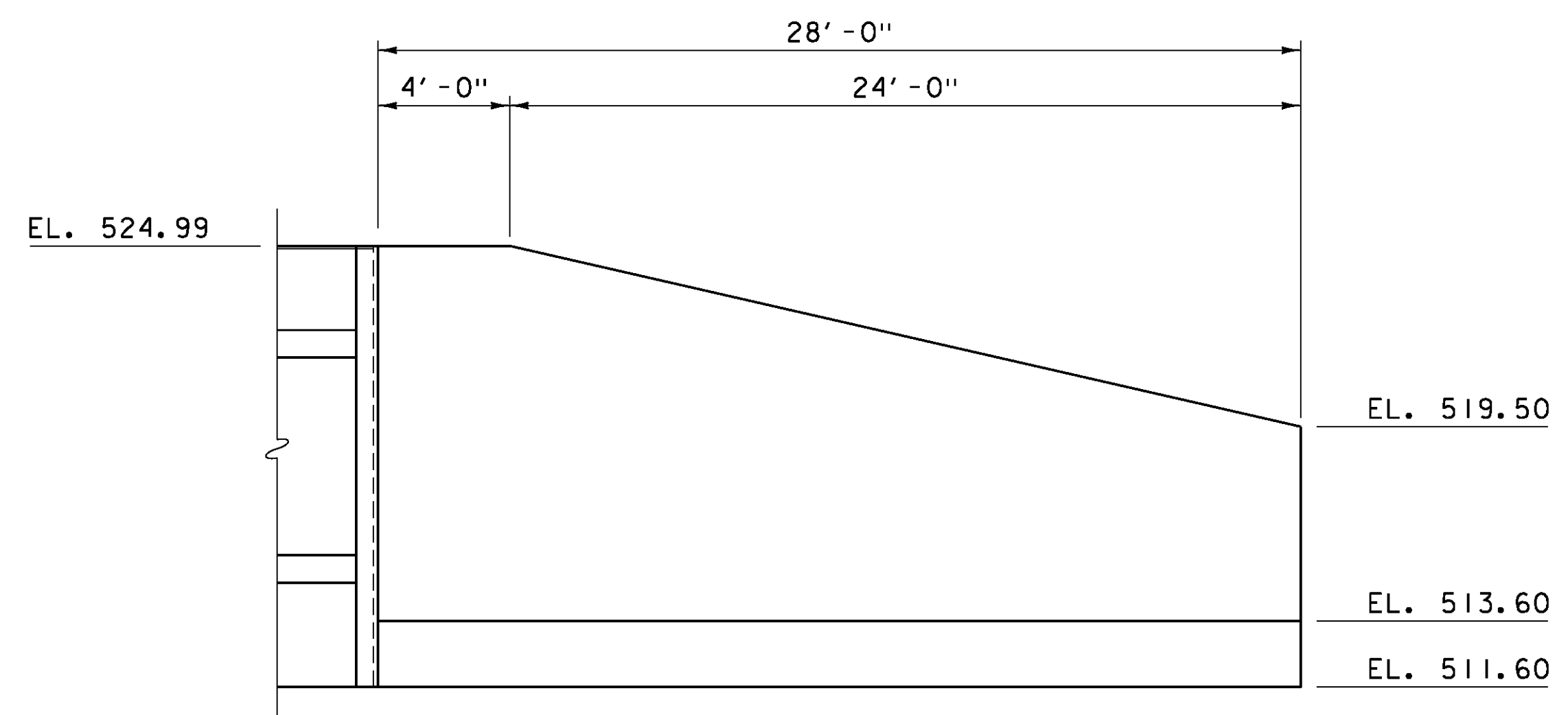
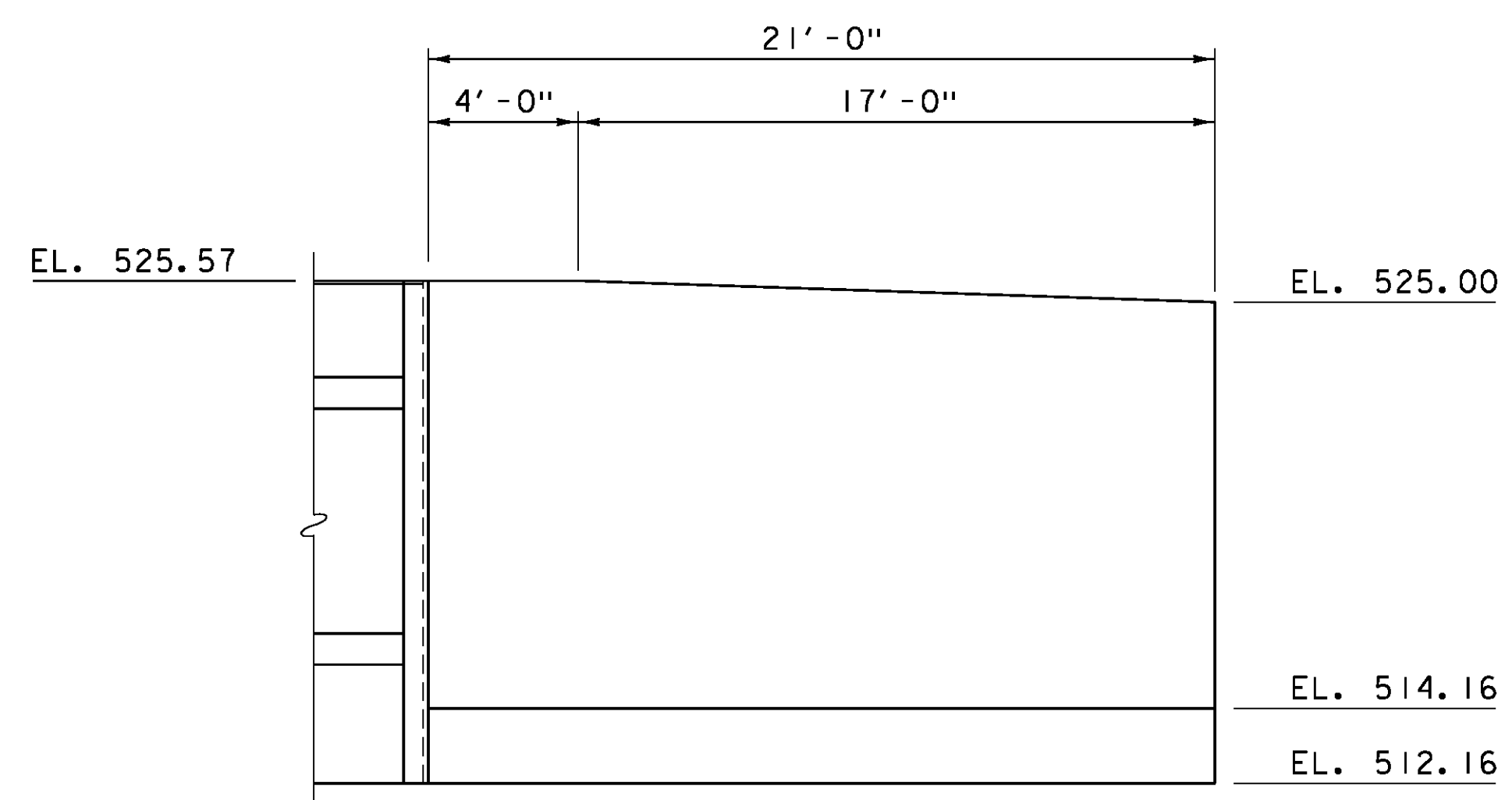


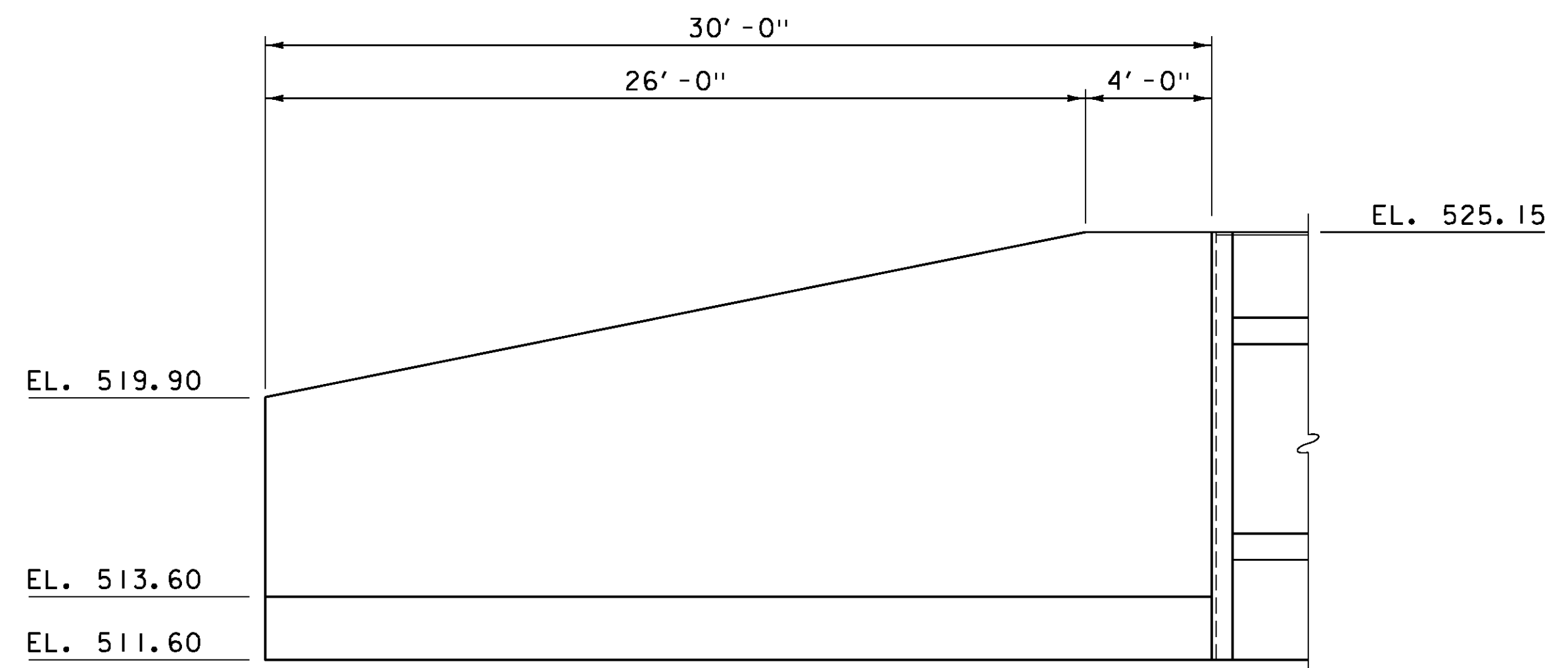
WINGWALL NO. 1 ELEVATION
SCALE: 1/4" = 1'-0"



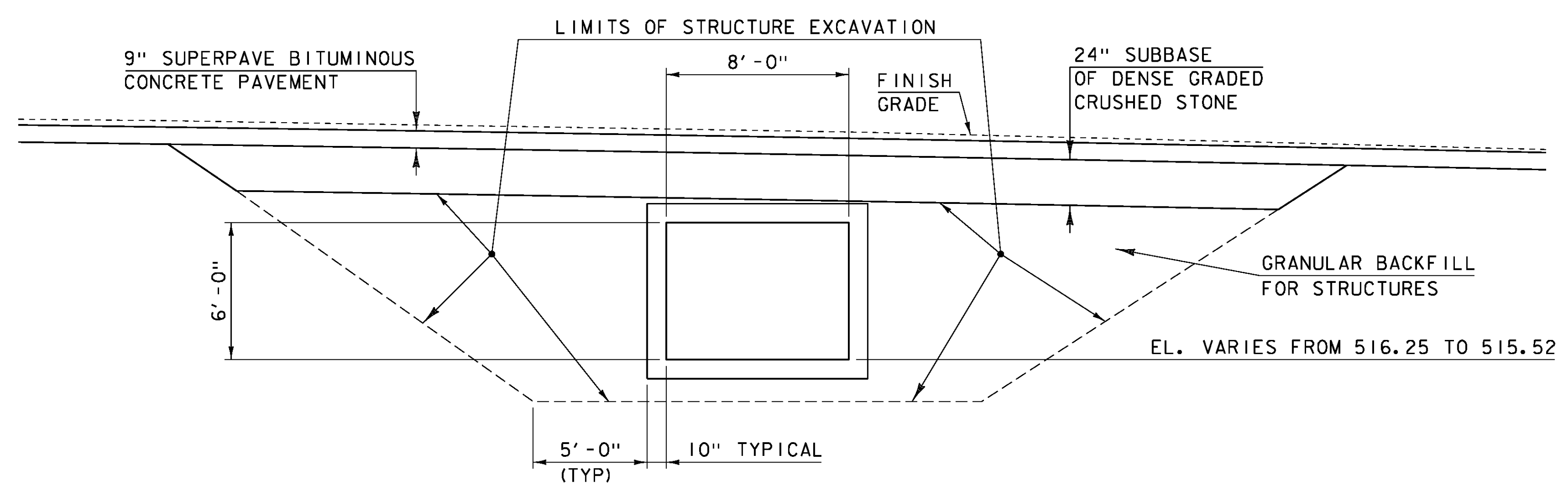
WINGWALL NO. 3 ELEVATION
SCALE: 1/4" = 1'-0"



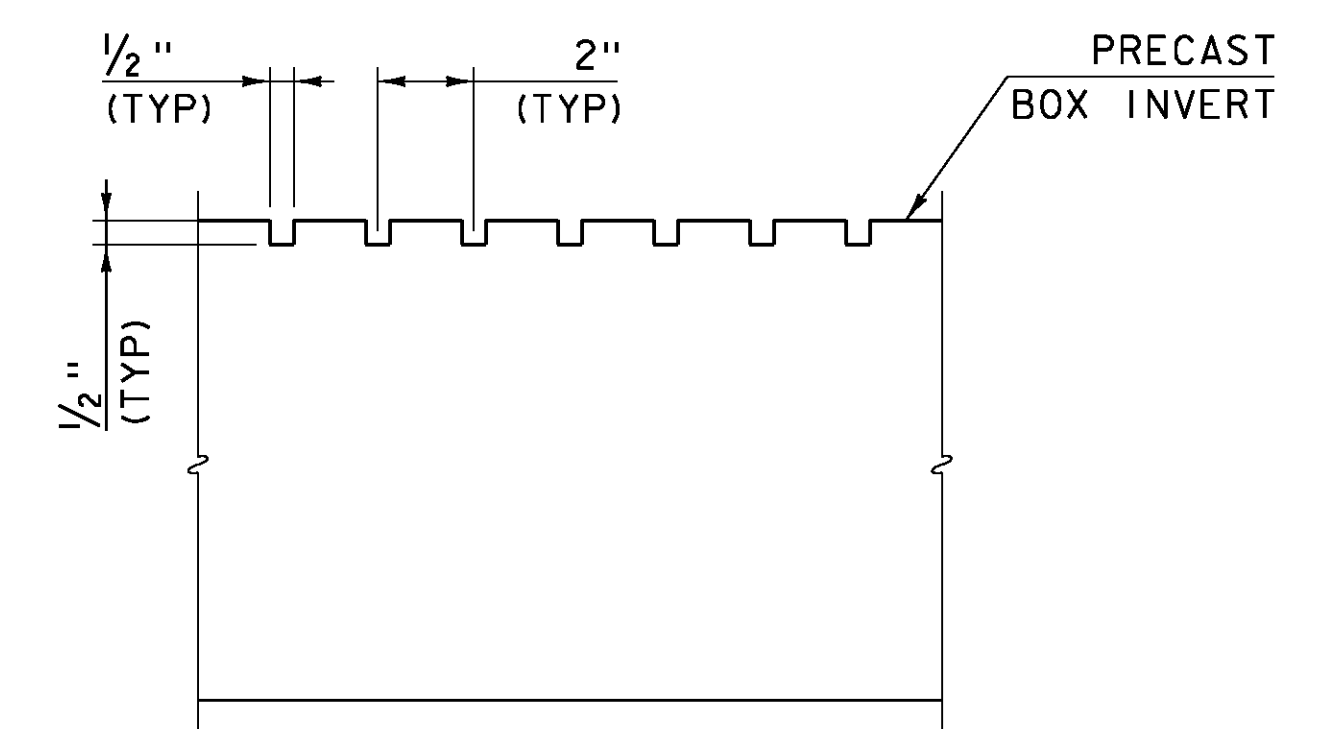
WINGWALL NO. 2 ELEVATION
SCALE: 1/4" = 1'-0"



WINGWALL NO. 4 ELEVATION
SCALE: 1/4" = 1'-0"



VT14 ROADWAY CATTLE PASS BOX TYPICAL SECTION
SCALE: 1/4" = 1'-0"



TRANSVERSE GROOVING DETAIL
NOT TO SCALE

PROJECT NAME:	ROYALTON	PLOT DATE:	08-OCT-2013
PROJECT NUMBER:	BRS 0147(13)	PROJECT LEADER:	C. CARLSON
DESIGNED BY:	G. ROY	DRAWN BY:	DZENAN K.
CATTLE PASS BOX WINGWALL DETAILS		CHECKED BY:	D. PETERSON
		SHEET	77 OF 186