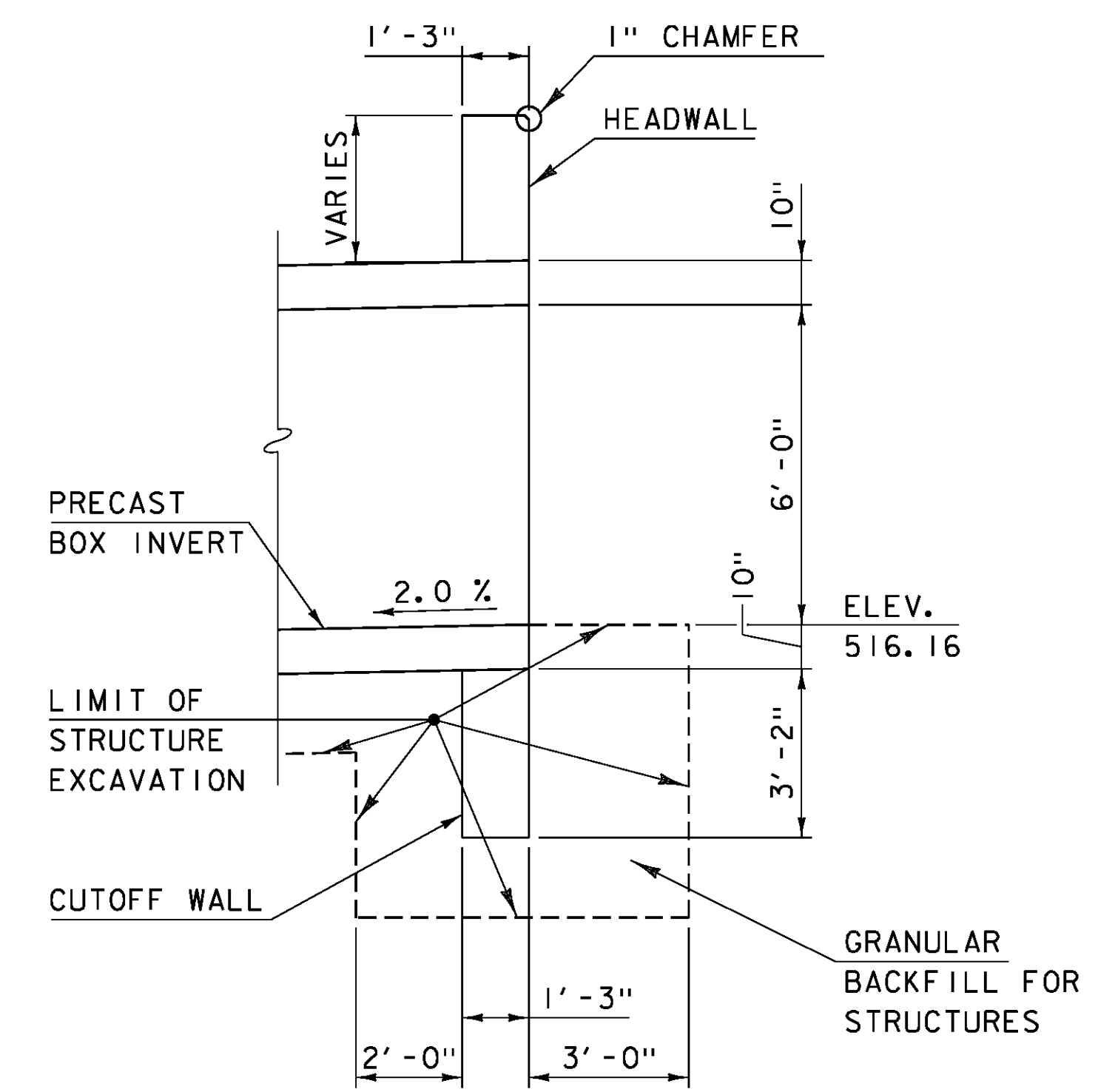
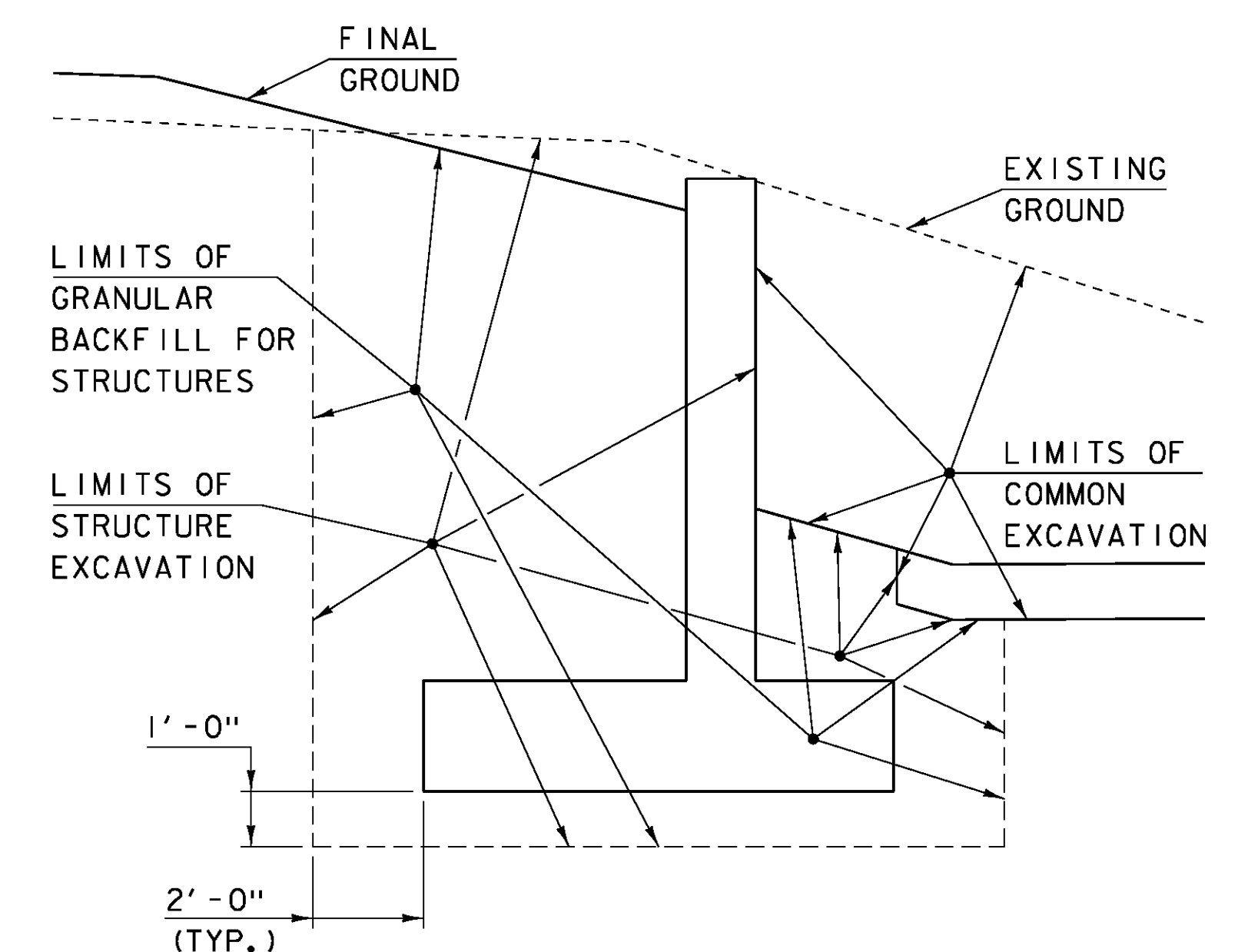


VT14 ROADWAY CATTLE PASS BOX PLAN
SCALE: 1/4" = 1'-0"



SECTION A-A
SCALE: 3/8" = 1'-0"



WINGWALL EXCAVATION
AND FILL DETAIL
SCALE: 3/8" = 1'-0"

PROJECT NAME:	ROYALTON
PROJECT NUMBER:	BRS 0147(13)
FILE NAME:	s86e055box.cattlepass3.dgn
PROJECT LEADER:	C. CARLSON
DESIGNED BY:	G. ROY
CATTLE PASS BOX DETAILS	
PLOT DATE:	08-OCT-2013
DRAWN BY:	DZENAN K.
CHECKED BY:	D. PETERSON
SHEET	76 OF 186