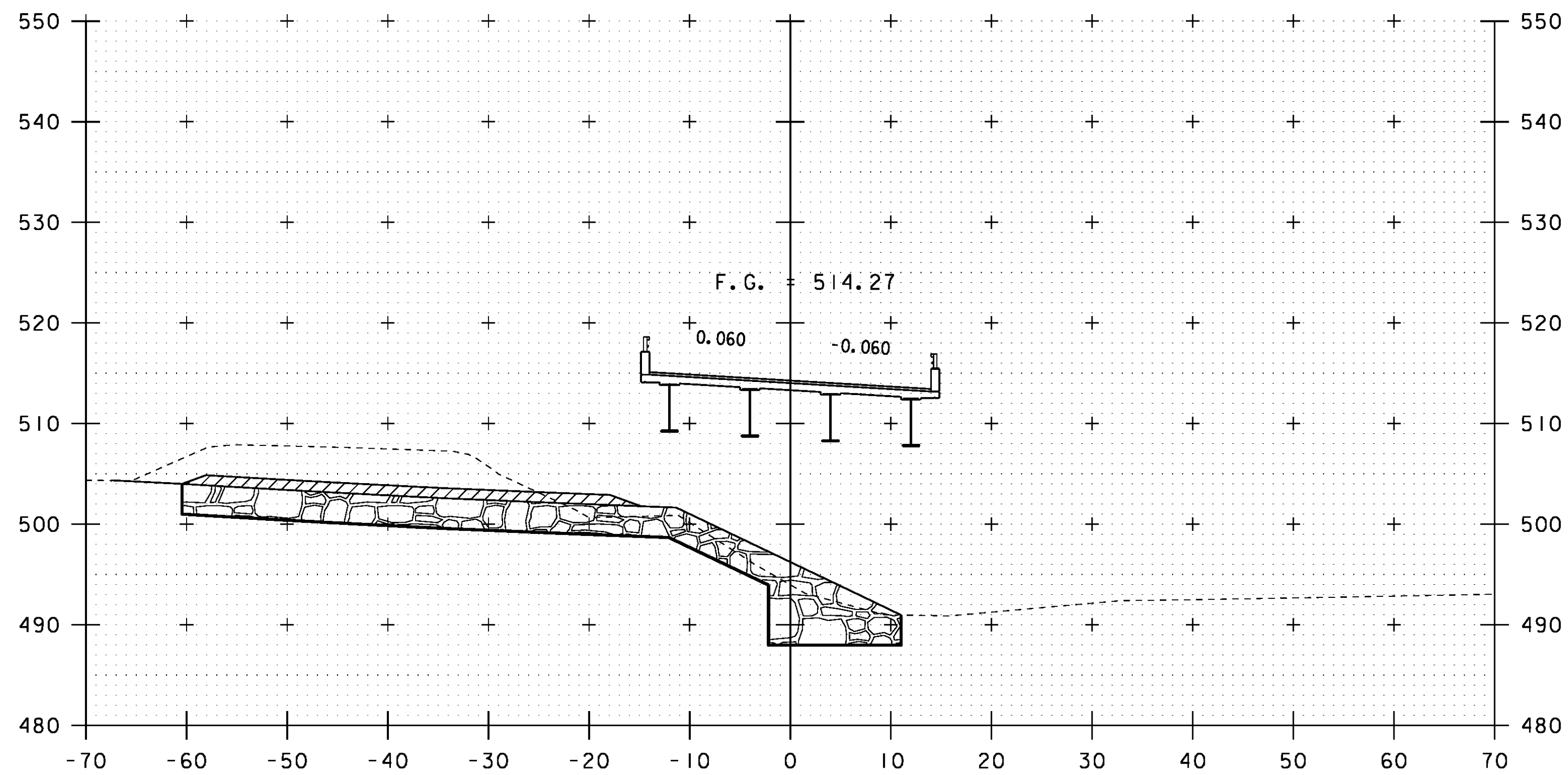
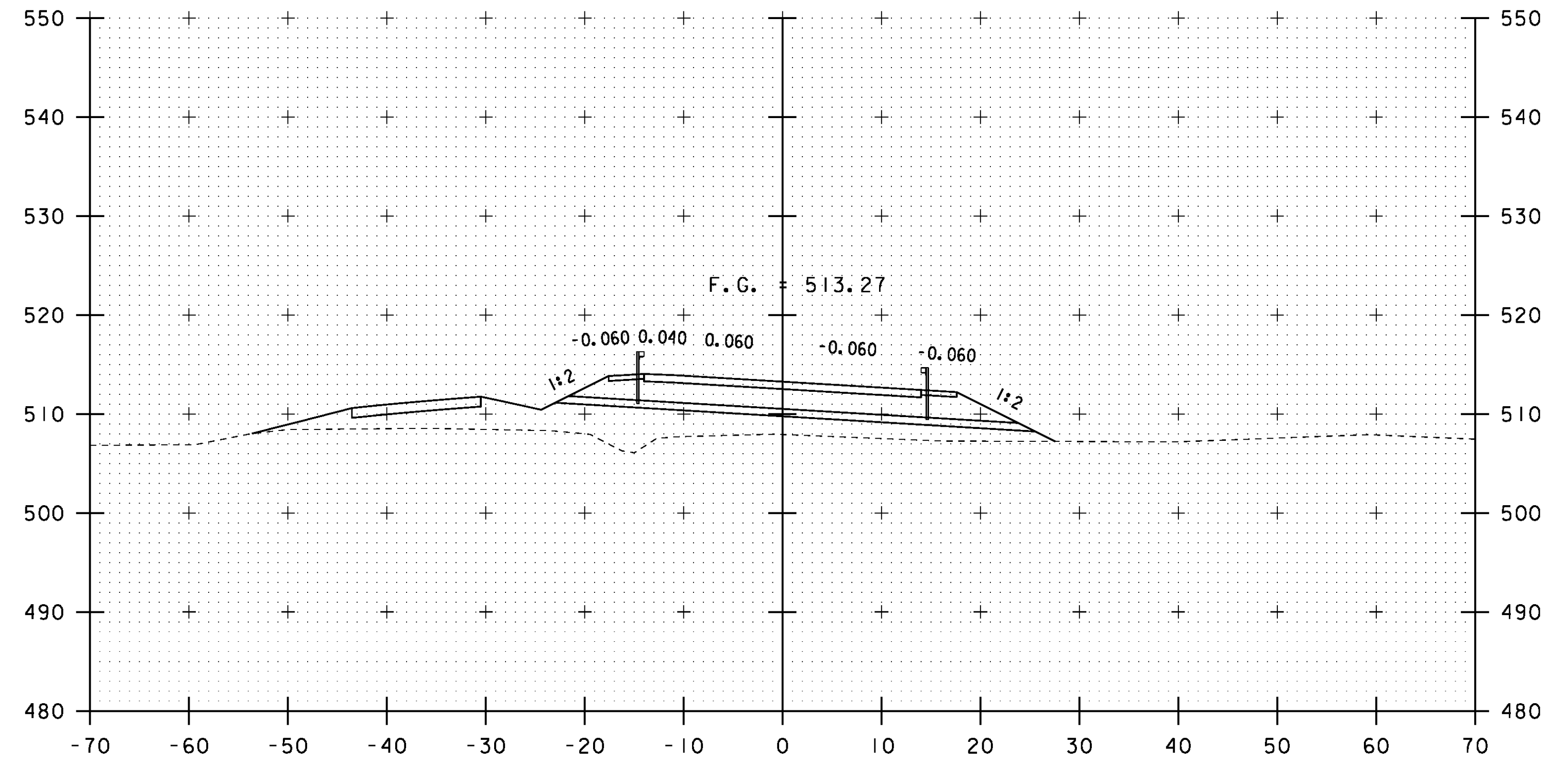


391+50

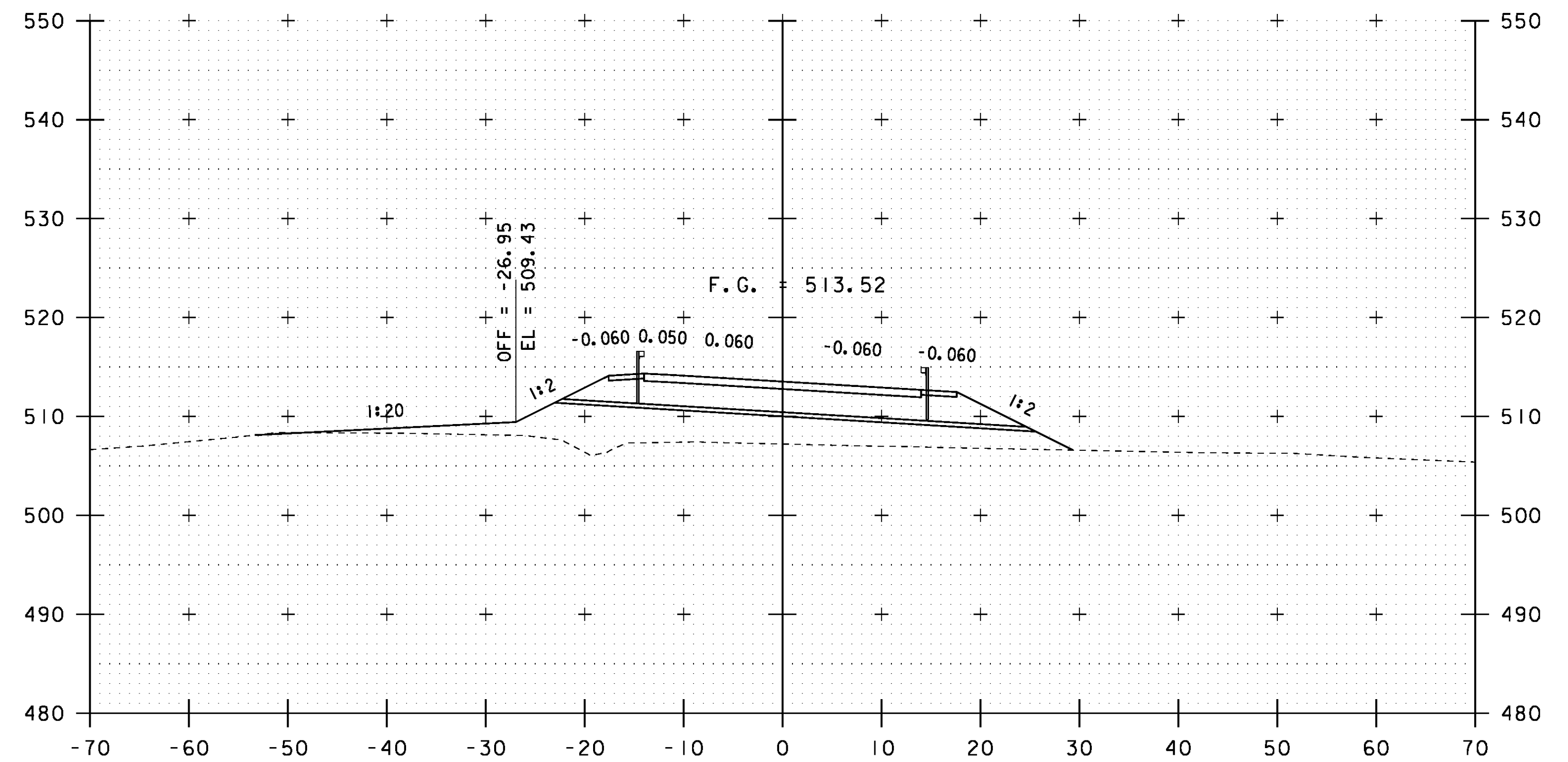
STA 391+33.89
END BRIDGE
RESUME ROADWAY



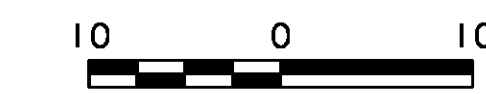
391+00



392+00



391+75



SCALE: 1" = 10'-0"

STA. 391+00 TO STA. 392+00

PROJECT NAME: ROYALTON
PROJECT NUMBER: BRS 0147 (13)

FILE NAME: \BR 27\86e055xsl.27.dgn
PROJECT LEADER: C. CARLSON
DESIGNED BY: G. ROY
BRIDGE 27 VT 14 CROSS SECTIONS (7)

PLOT DATE: 08-OCT-2013
DRAWN BY: G. ROY
CHECKED BY: D. PETERSON
SHEET 57 OF 186