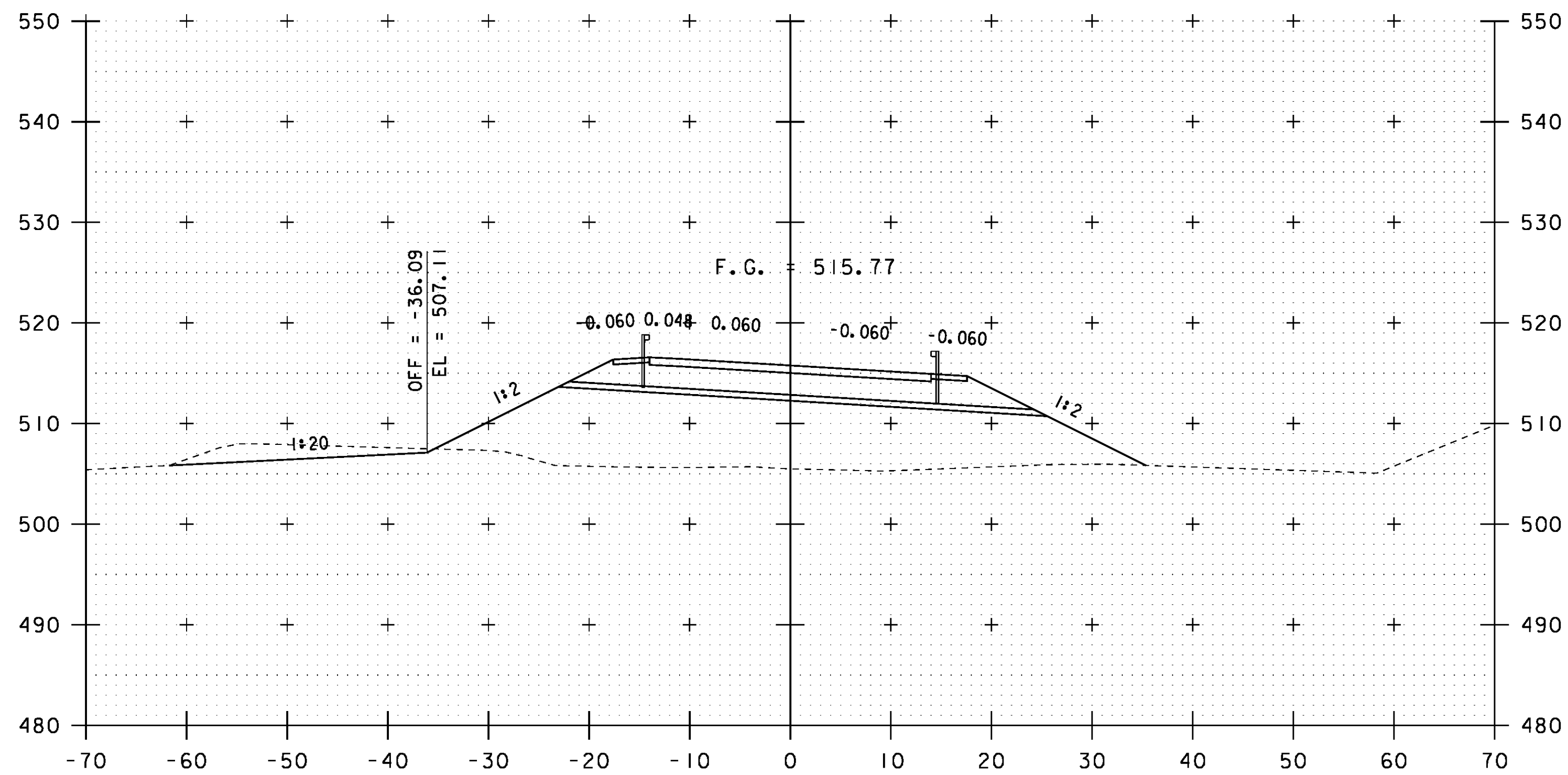
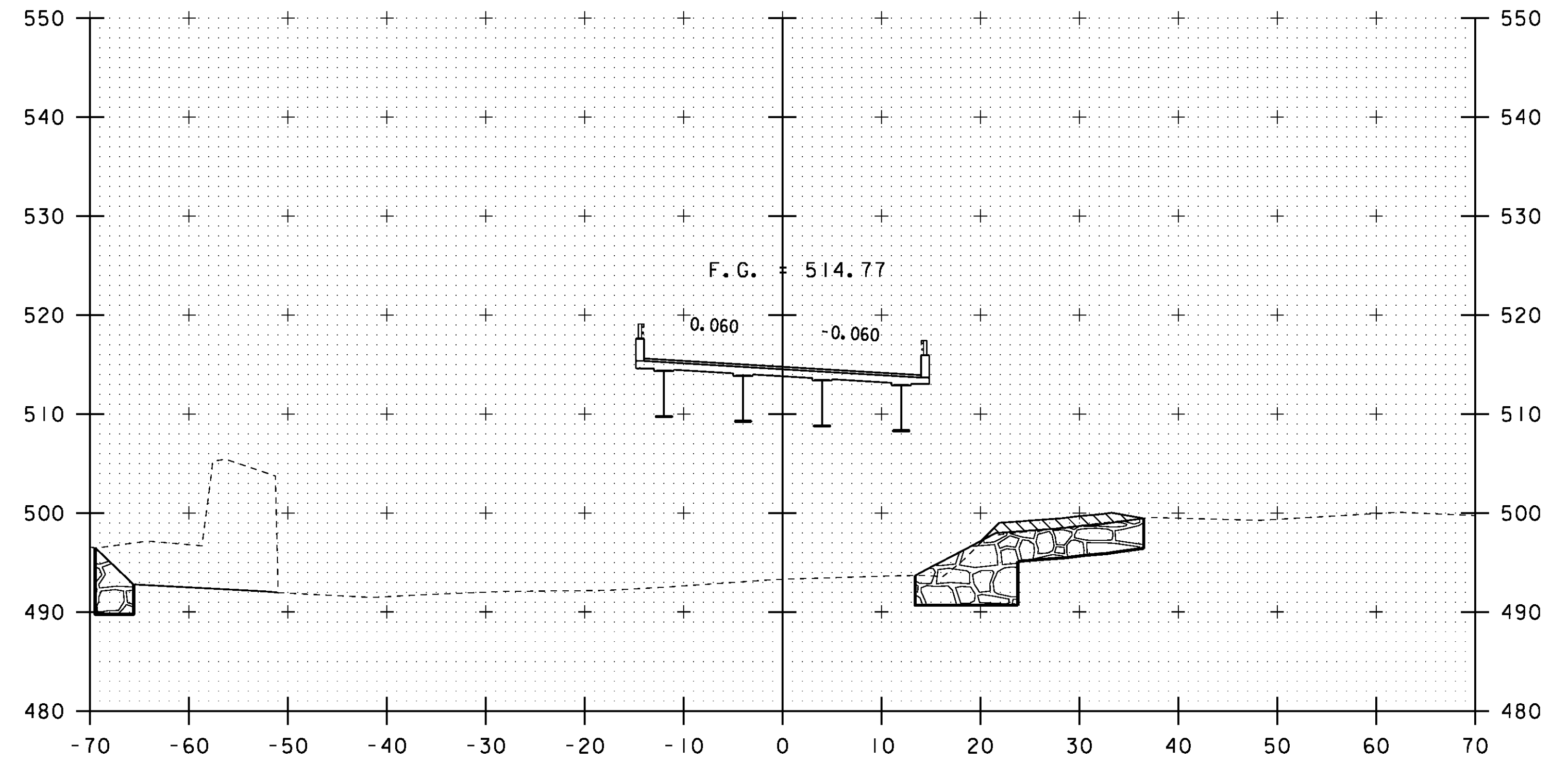


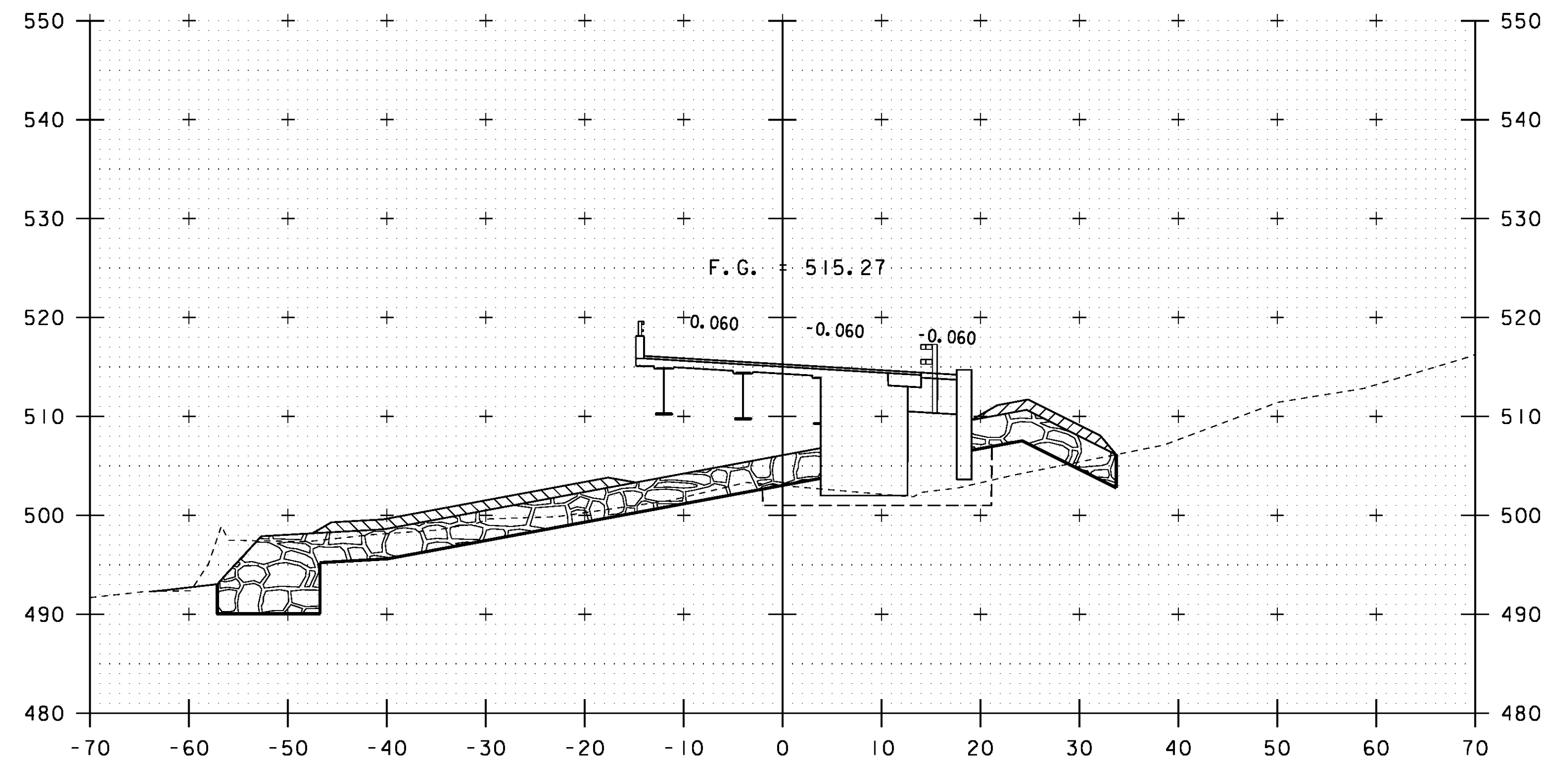
389+75



389+50

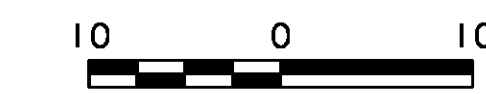


390+50



390+00

STA 389+96.11
END ROADWAY
BEGIN BRIDGE



SCALE: 1" = 10'-0"

STA. 389+50 TO STA. 390+50

PROJECT NAME: ROYALTON
PROJECT NUMBER: BRS 0147 (13)

FILE NAME: \BR 27\86e055xsl.27.dgn
PROJECT LEADER: C. CARLSON
DESIGNED BY: G. ROY
BRIDGE 27 VT 14 CROSS SECTIONS (6)

PLOT DATE: 08-OCT-2013
DRAWN BY: G. ROY
CHECKED BY: D. PETERSON
SHEET 56 OF 186