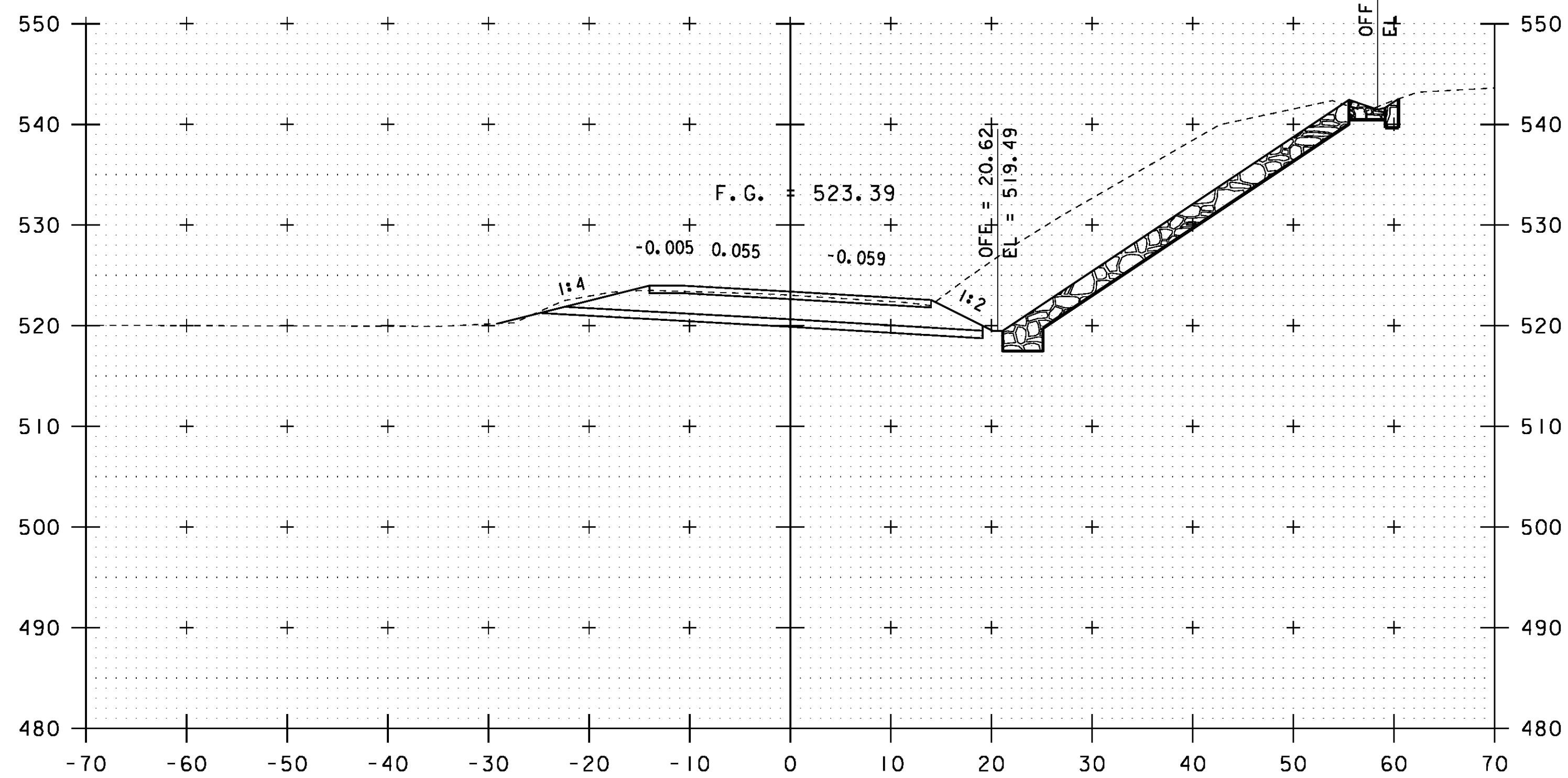


STA 384+50.0 LT
CONSTRUCT DRIVE NO. 1

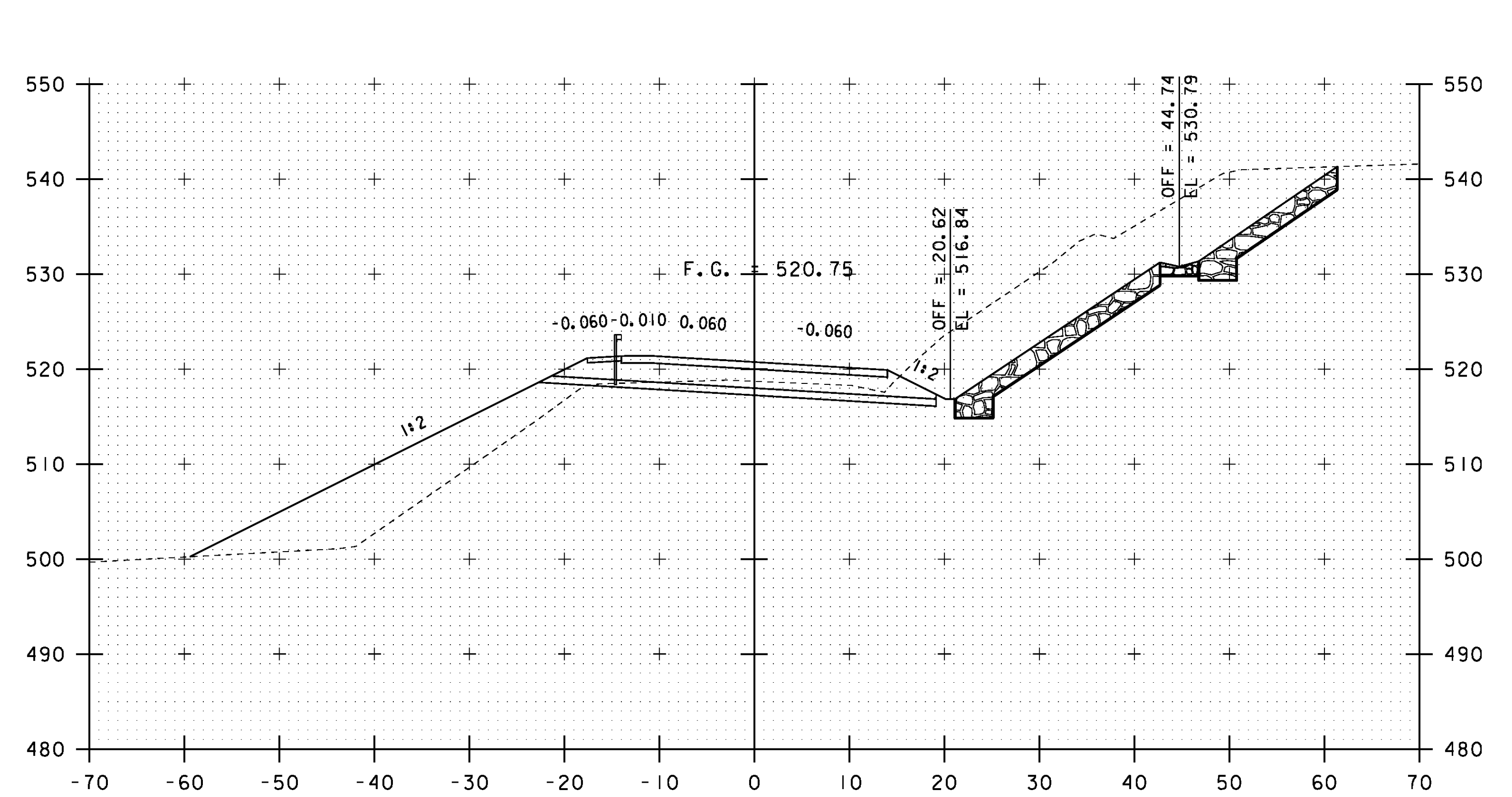
384+50



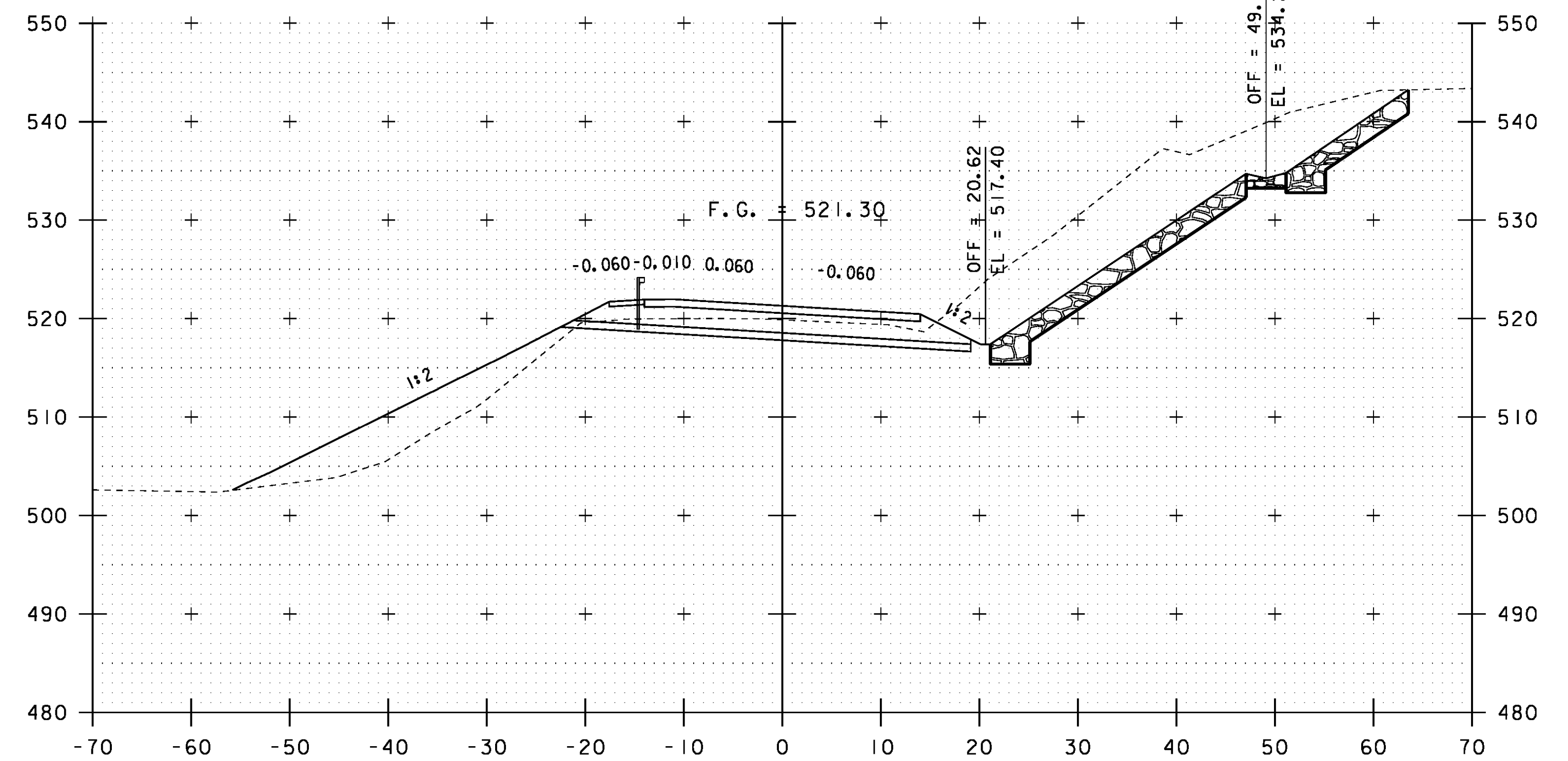
384+00

STA 383+91.3 RT - STA 385+83.2 RT
CONSTRUCT NEW DITCH LINED WITH STONE FILL, TYPE 1

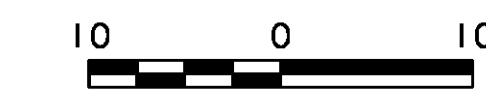
STA 383+70.00
END APPROACH
BEGIN PROJECT



385+00



384+75



SCALE: 1" = 10'-0"

STA. 384+00 TO STA. 385+00

PROJECT NAME: ROYALTON
PROJECT NUMBER: BRS 0147 (13)

FILE NAME: \BR 27\86e055xsl.27.dgn
PROJECT LEADER: C. CARLSON
DESIGNED BY: G. ROY
BRIDGE 27 VT 14 CROSS SECTIONS (2)

PLOT DATE: 08-OCT-2013
DRAWN BY: G. ROY
CHECKED BY: D. PETERSON
SHEET 52 OF 186