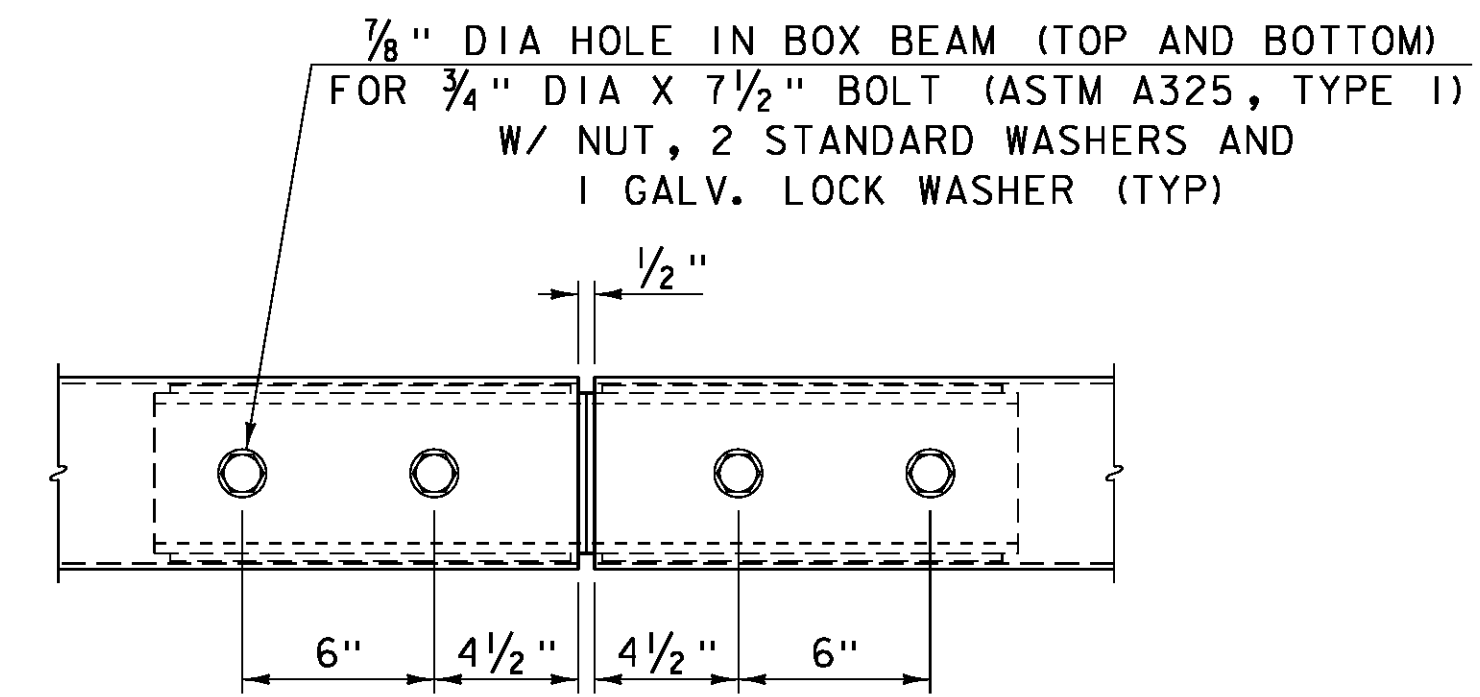
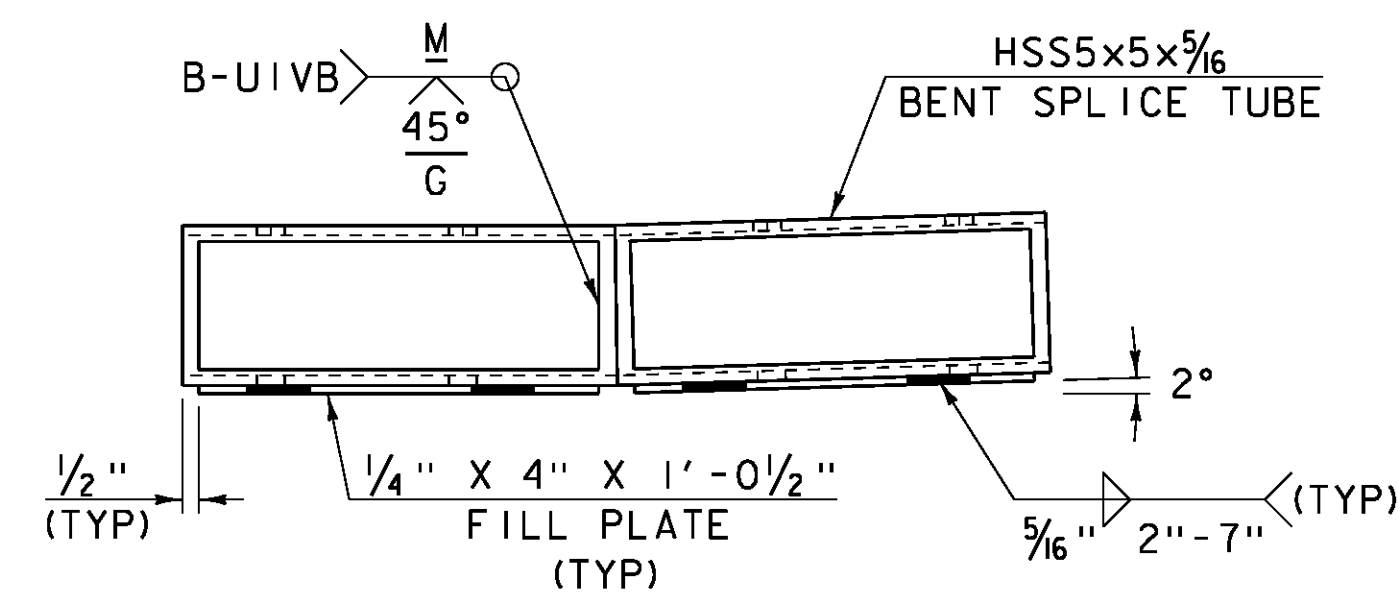


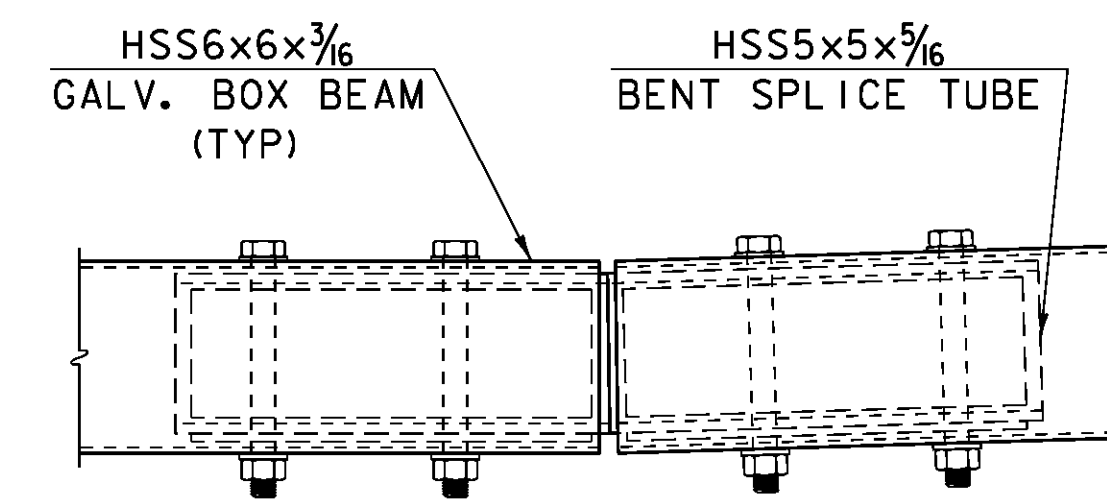
**FIXED SPLICE TUBE PLAN**  
NOT TO SCALE



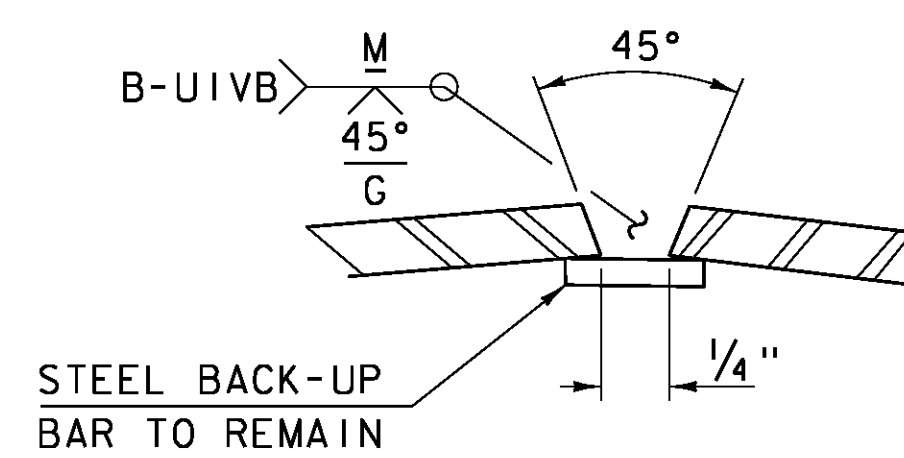
**FIXED SPLICE ASSEMBLY PLAN**  
NOT TO SCALE



**FIXED SPLICE TUBE ELEVATION**  
NOT TO SCALE



**FIXED SPLICE ASSEMBLY ELEVATION**  
NOT TO SCALE



**WELD DETAIL  
FOR SPLICE TUBE**  
NOT TO SCALE

PROJECT NAME: ROYALTON  
PROJECT NUMBER: BRS 0147 (13)

FILE NAME: \BR 27\86e055rail.27.dgn  
PROJECT LEADER: C. CARLSON  
DESIGNED BY: D. PETERSON  
BRIDGE 27 APPROACH RAIL DETAILS (3)

PLOT DATE: 08-OCT-2013  
DRAWN BY: D. PETERSON  
CHECKED BY: C. CARLSON  
SHEET 50 OF 186