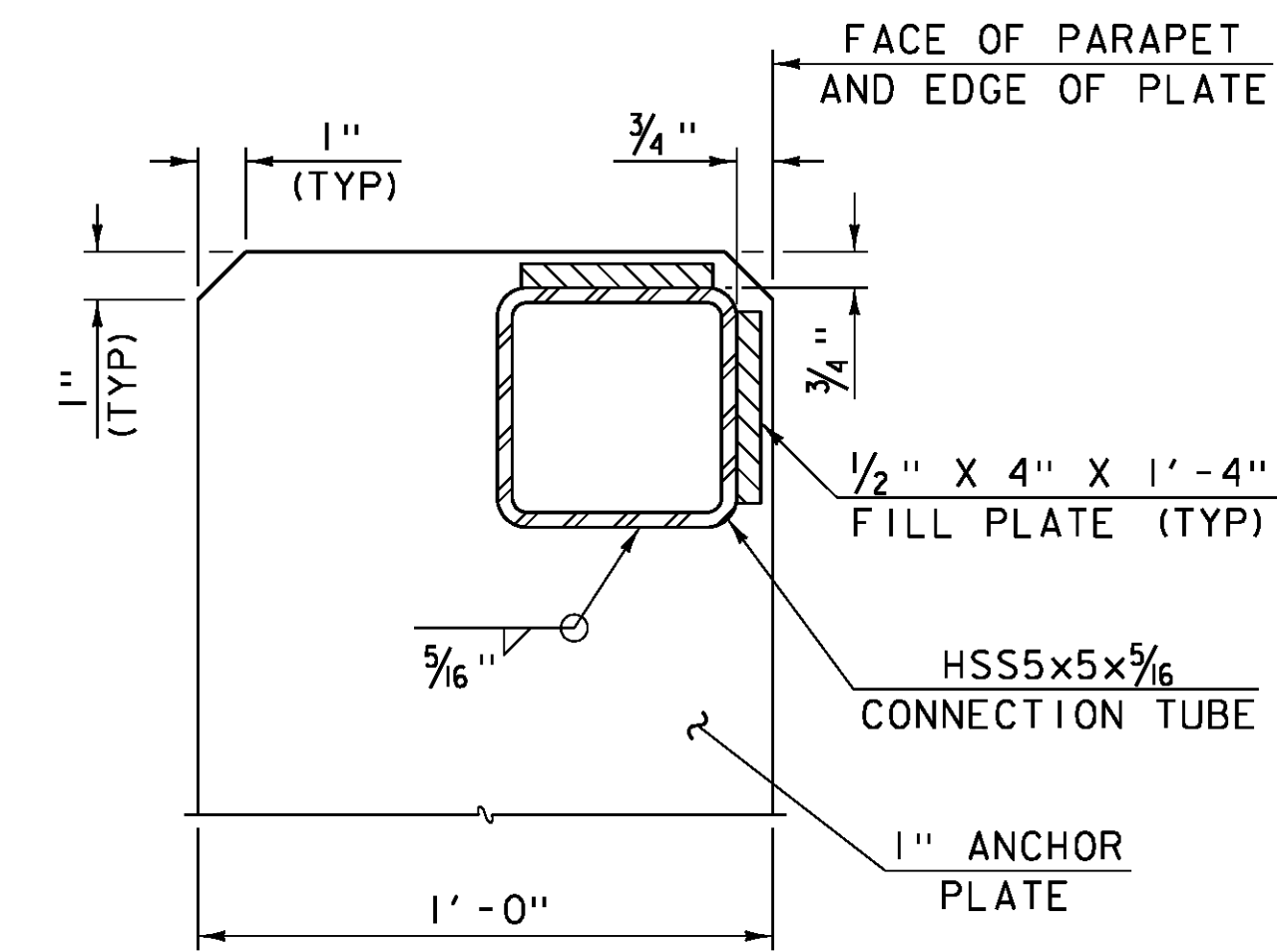
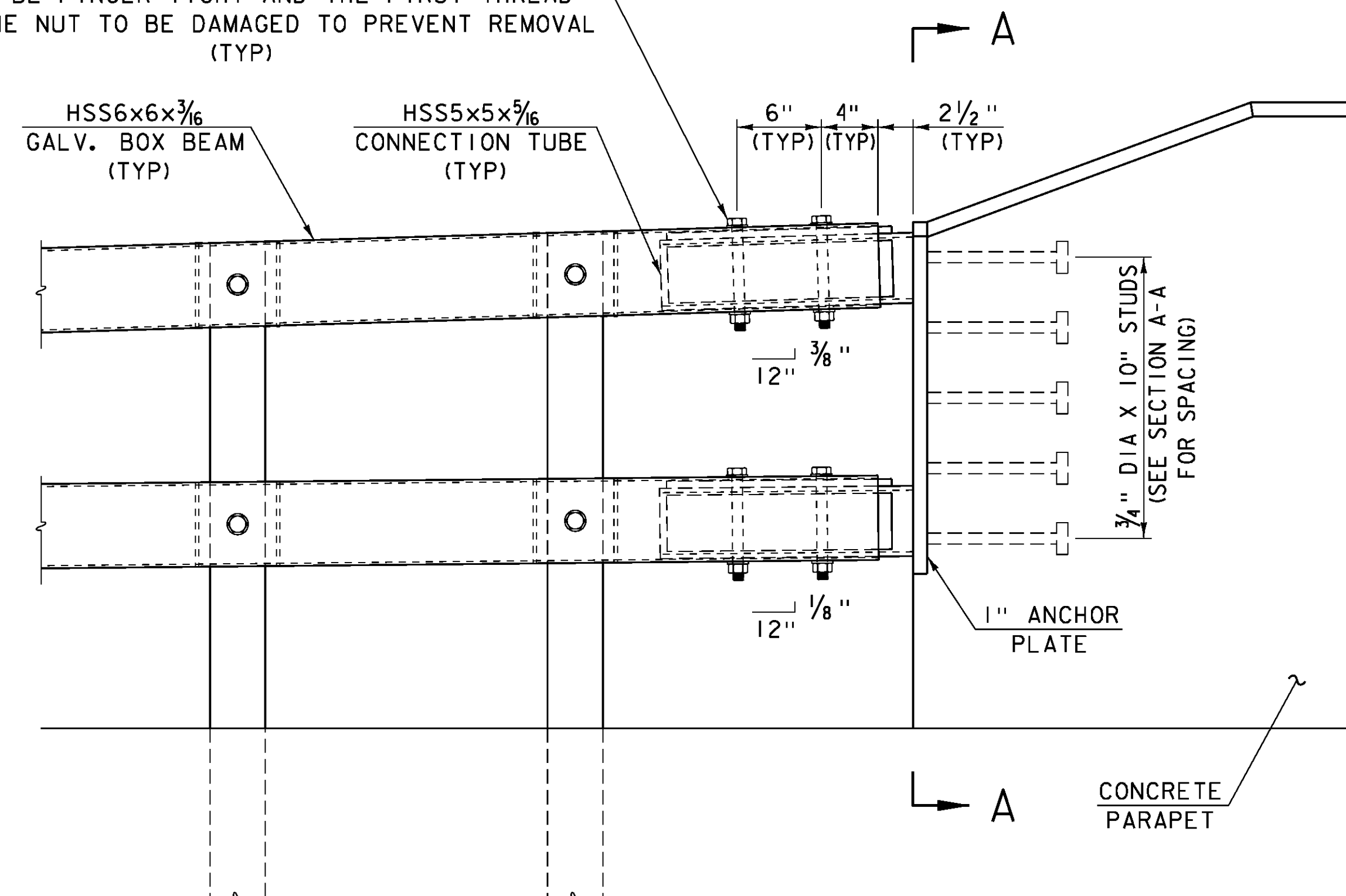


SECTION A-A
NOT TO SCALE

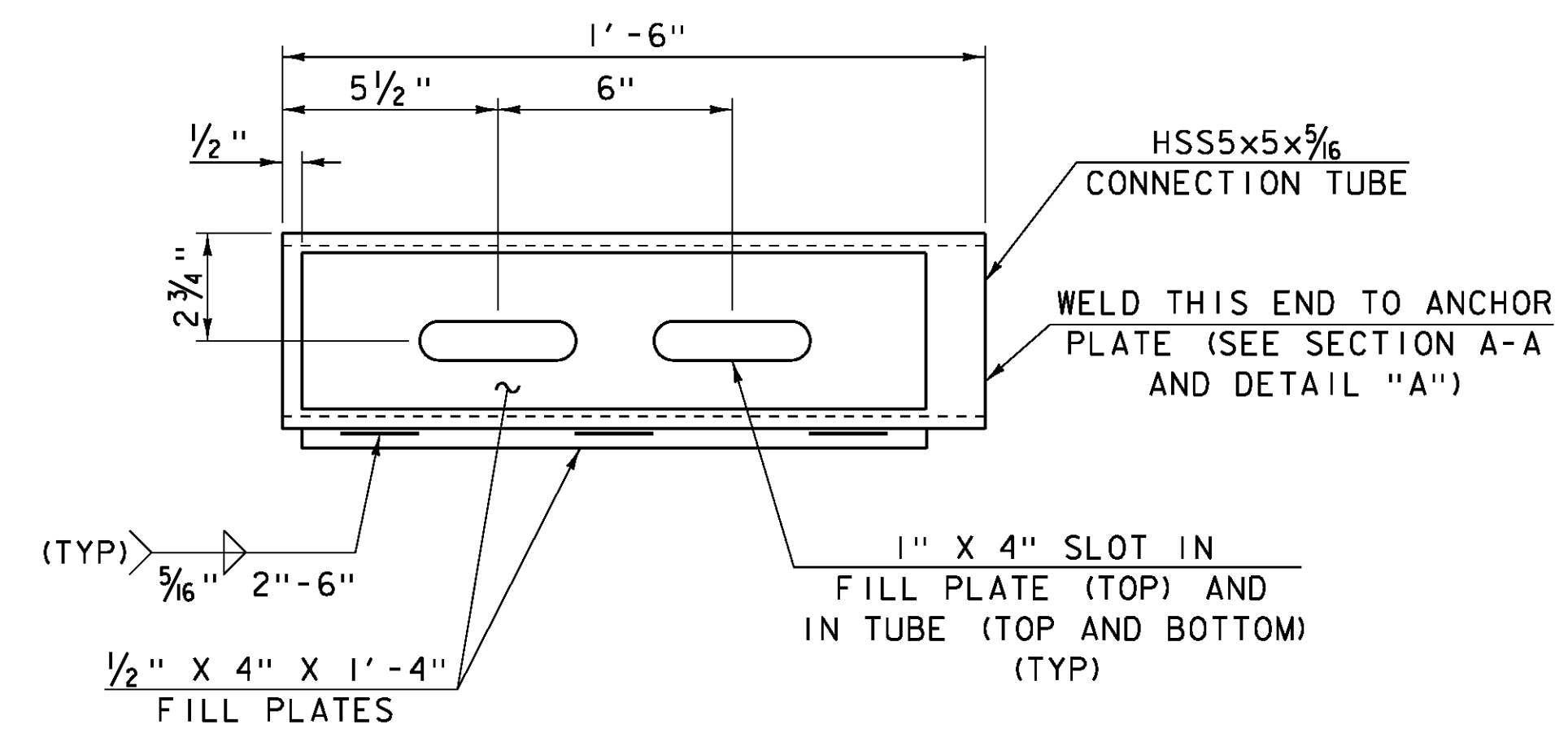


DETAIL "A"
NOT TO SCALE

3/4" DIA X 7/2" BOLT (A325, TYPE 1)
W/ STANDARD WASHERS AND SPRING LOCK WASHERS
NUT TO BE FINGER TIGHT AND THE FIRST THREAD
BELOW THE NUT TO BE DAMAGED TO PREVENT REMOVAL
(TYP)



APPROACH RAIL CONNECTION DETAIL
NOT TO SCALE



CONNECTION TUBE DETAIL PLAN
NOT TO SCALE

PROJECT NAME: ROYALTON
PROJECT NUMBER: BRS 0147 (13)

FILE NAME: \BR 27\86e055rail.27.dgn
PROJECT LEADER: C. CARLSON
DESIGNED BY: D. PETERSON
BRIDGE 27 APPROACH RAIL DETAILS (1)

PLOT DATE: 08-OCT-2013
DRAWN BY: D. PETERSON
CHECKED BY: C. CARLSON
SHEET 48 OF 186