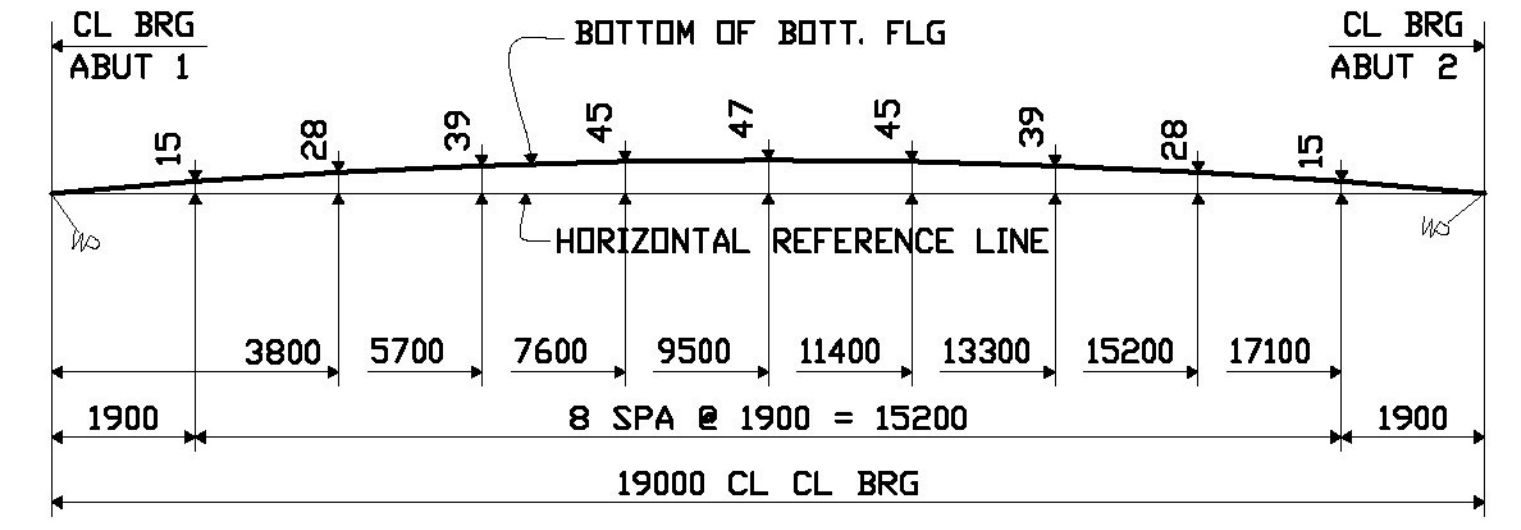
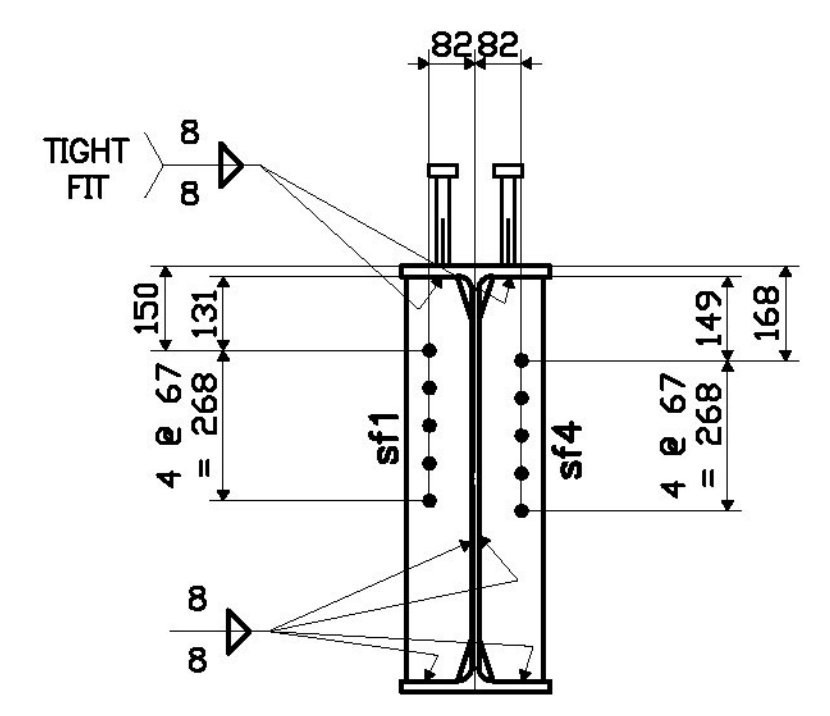


ONE ~BEAM~ MA6

SHIPPER		BILL OF MATERIAL						
NO.	MARK	NO.	MARK	SIZE	LENGTH	REMARKS	ITEM	WEIGHT
1	MA6	BEAM SUB-ASSEMBLY						
1		1		W760x161	19370	CVN		
2	sf1	2		PL 13x115	720	CVN		
2	sf4	2		PL 13x115	720	CVN		
102	ms1	102		S. STUD 22#	180	A108		



CAMBER DIAGRAM



SECT. 5

Received Date: 3/25/11  
 Checked By: Hiram Salls  
 Approval Type: Approved  
 Approved By: Chris Williams  
 Date: 4/13/11

SHOP NOTES  
 HOLES 24# (1 1/8") (UN)  
 BOLTS NONE  
 PAINT NONE  
 WELDS TO BE MADE USING SEE GN1 ELECTRODES  
 MATERIAL M270-345W

REV. NO.	DATE	REVISION
3		
2		
1		

BEAM DETAIL

PROJECT No. BR 037-2(8)  
 REPLACEMENT OF BRIDGE No. 71  
 TOWN OF EAST MONTPELIER, WASHINGTON COUNTY, VT

FOSTER . PRECISE  
 3 FARM LANE  
 GEORGETOWN, MA 01833-1843

OWNER: STATE OF VERMONT AGENCY OF TRANSPORTATION  
 CONTRACTOR: J.R. SLAW

DRAWN BY	CHECKED BY	APP.	SHOP	DIST.	CONTRACT NO.	SHEET NO.
PDC/WS 03-2011	PDC/SB 03-2011				3561	6