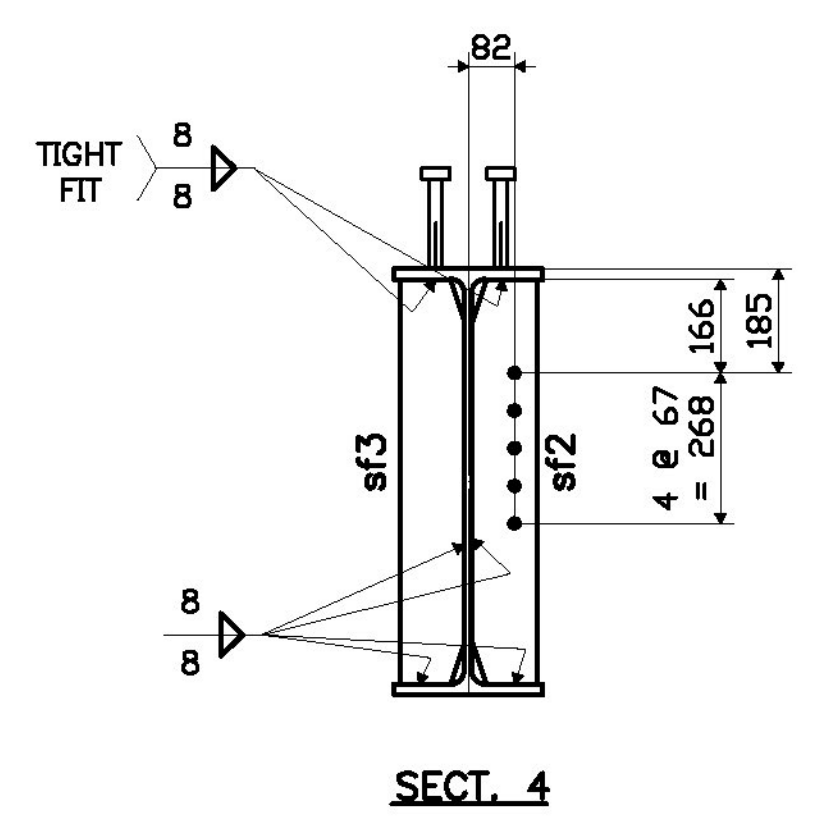
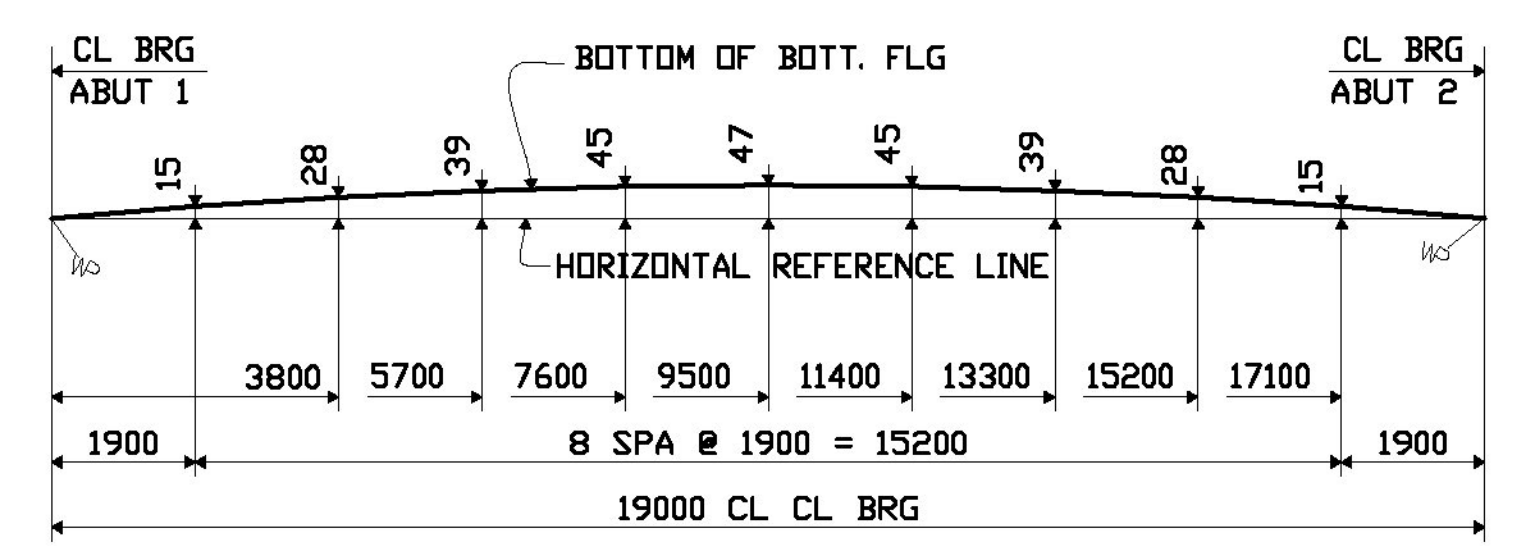


ONE ~BEAM~ MA5



SHIPPER		BILL OF MATERIAL						
NO.	MARK	NO.	MARK	SIZE	LENGTH	REMARKS	ITEM	WEIGHT
1	MA5	BEAM SUB-ASSEMBLY						
1				W760x161	19370	CVN		
2	sf3			PL 13x115	720	CVN		
2	sf2			PL 13x115	720	CVN		
102	ms1			S. STUD 22#	180	A108		



CAMBER DIAGRAM

Received Date: 3/25/11
 Checked By: Hiram Salls
 Approval Type: Approved
 Approved By: Chris Williams
 Date: 4/13/11

SHOP NOTES
 HOLES 24# (1 1/8") (UN)
 BOLTS NONE
 PAINT NONE
 WELDS TO BE MADE USING SEE GN1 ELECTRODES
 MATERIAL M270-345W

REV. NO.	DATE	REVISION
3		
2		
1		

BEAM DETAIL

PROJECT No. BRF 037-2(8)
 REPLACEMENT OF BRIDGE No. 71
 TOWN OF EAST MONTPELIER, WASHINGTON COUNTY, VT

FOSTER . PRECISE
 3 FARM LANE
 GEORGETOWN, MA 01833-1843

OWNER: STATE OF VERMONT AGENCY OF TRANSPORTATION
 CONTRACTOR: J.R. SLAW

DRAWN BY	CHECKED BY	APP.	SHOP	DIST.	CONTRACT NO.	SHEET NO.
PDC/WS 03-2011	PDC/SB 03-2011				3561	5