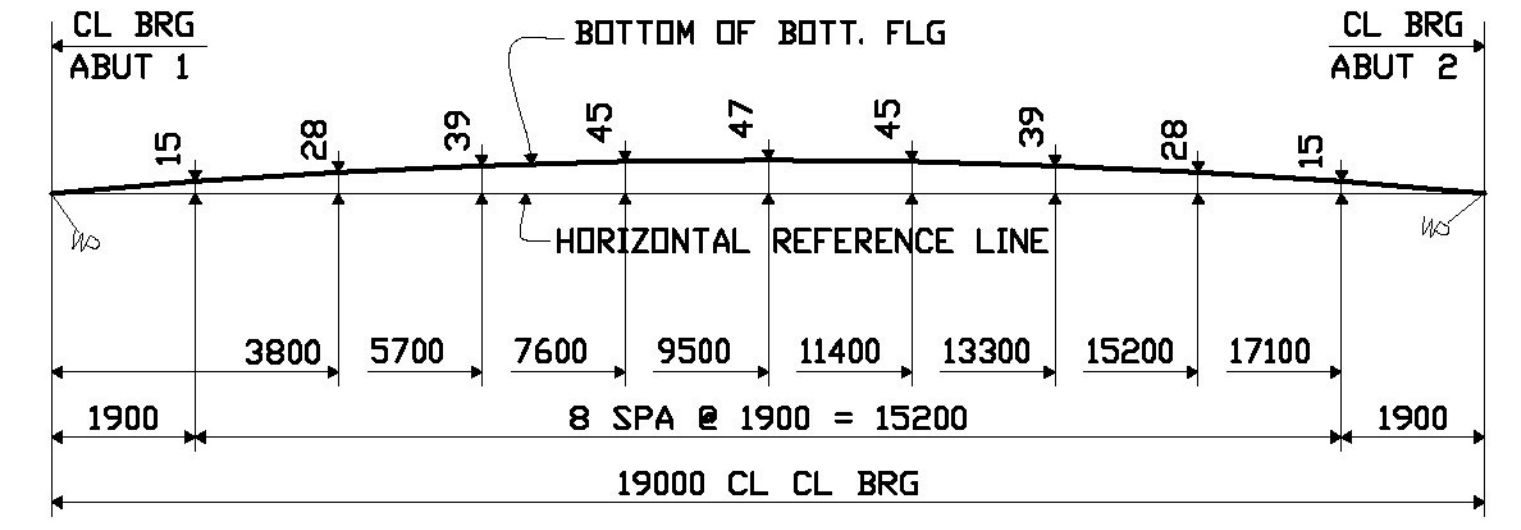
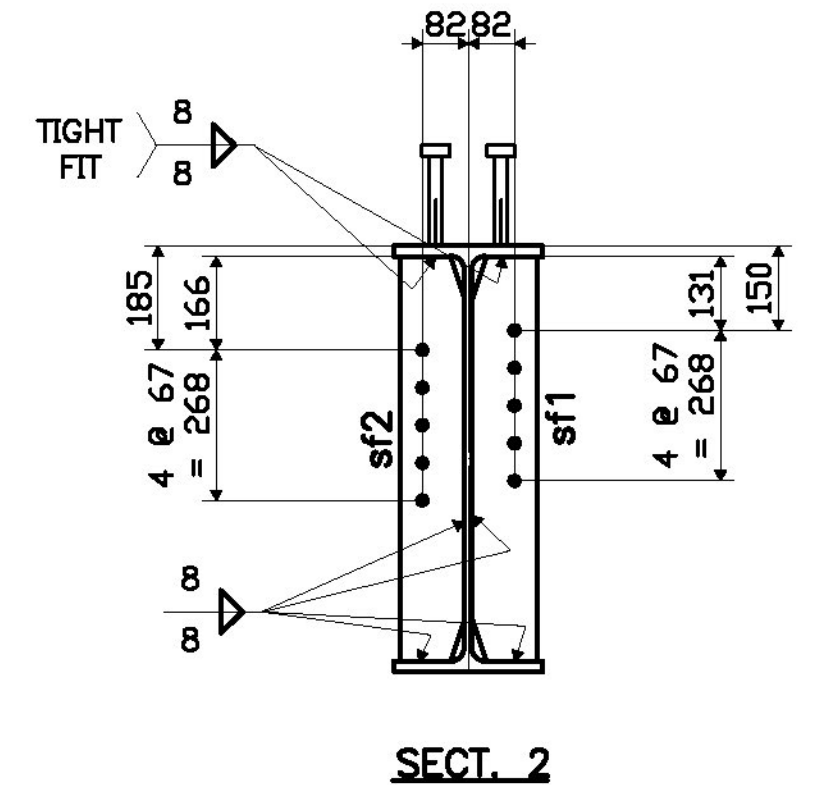


ONE ~BEAM~ MA4

SHIPPER		BILL OF MATERIAL						
NO.	MARK	NO.	MARK	SIZE	LENGTH	REMARKS	ITEM	WEIGHT
1	MA4	BEAM SUB-ASSEMBLY						
1		1		W760x161	19370	CVN		
2		2	sf1	PL 13x115	720	CVN		
2		2	sf2	PL 13x115	720	CVN		
102		102	ms1	S. STUD 22#	180	A108		



CAMBER DIAGRAM



SECT. 2

Received Date: 3/25/11  
 Checked By: Hiram Salls  
 Approval Type: Approved  
 Approved By: Chris Williams  
 Date: 4/13/11

REV. NO.	DATE	REVISION
3		
2		
1		

BEAM DETAIL  
 PROJECT No. BR 037-2(8)  
 REPLACEMENT OF BRIDGE No. 71  
 TOWN OF EAST MONTPELIER, WASHINGTON COUNTY, VT

SHOP NOTES  
 HOLES 24# (1 1/8") (UN)  
 BOLTS NONE  
 PAINT NONE  
 WELDS TO BE MADE USING SEE GN1 ELECTRODES  
 MATERIAL M270-345W

FOSTER . PRECISE  
 3 FARM LANE  
 GEORGETOWN, MA 01833-1843  
 OWNER: STATE OF VERMONT AGENCY OF TRANSPORTATION  
 CONTRACTOR: J.R. SLAW

DRAWN BY	CHECKED BY	APP.	SHOP	DIST.	CONTRACT NO.	SHEET NO.
PDC/WS	PDC/SB				3561	4
03-2011	03-2011					