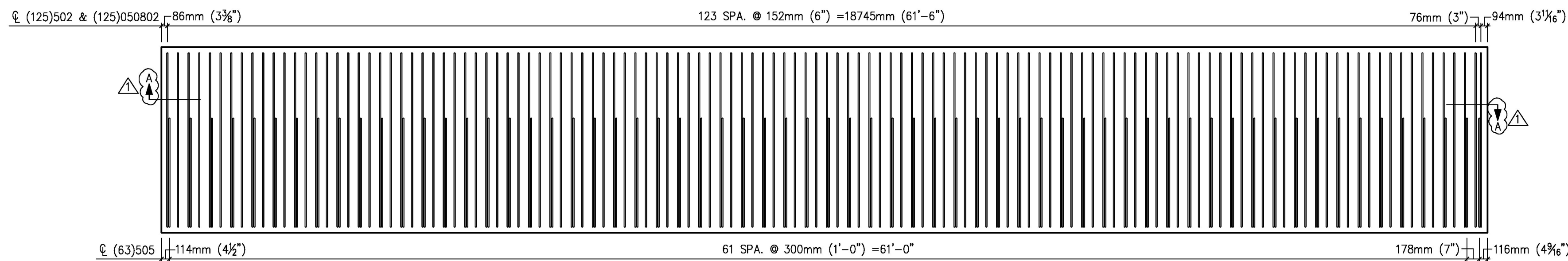
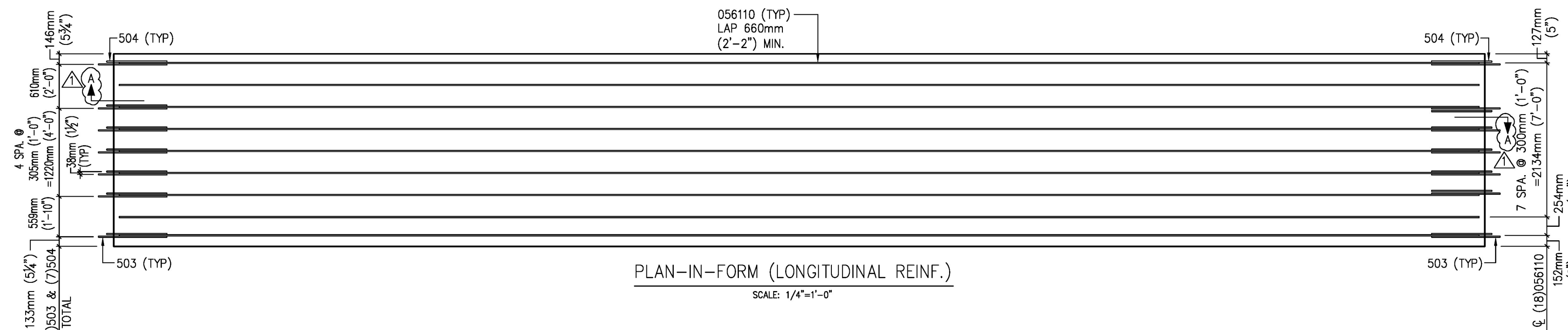


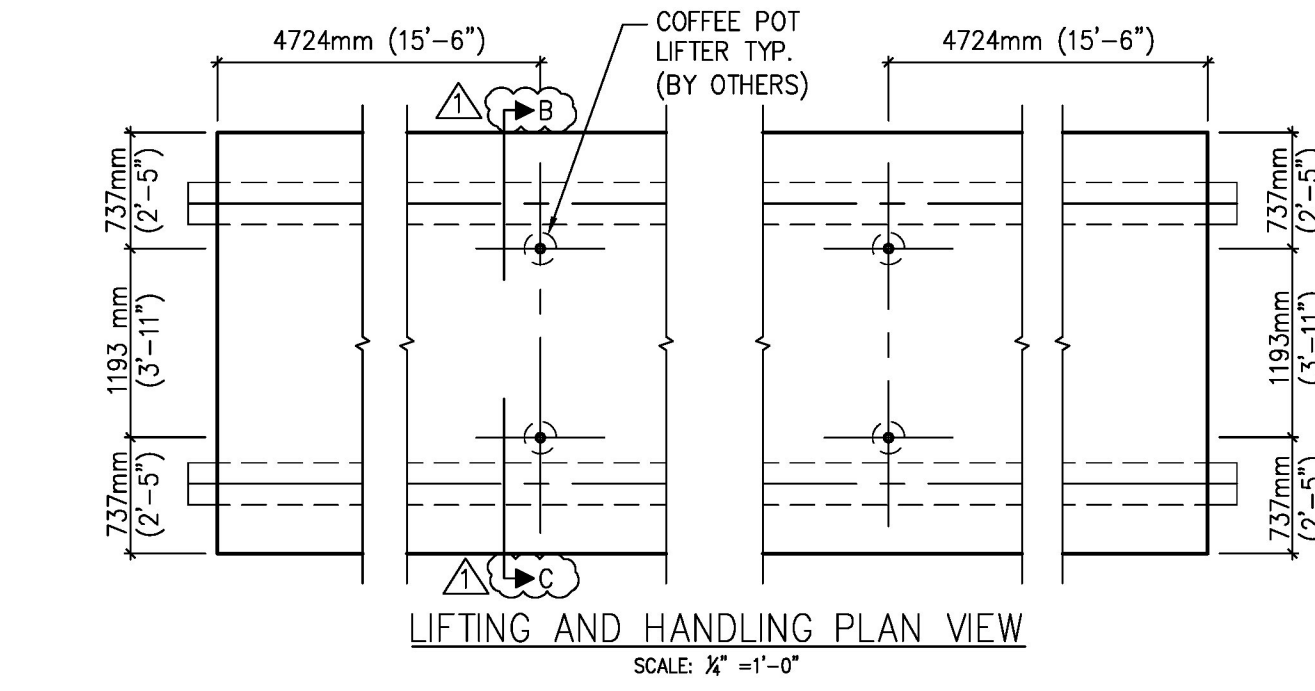
PLAN-IN-FORM (DIMENSIONS)  
SCALE: 1/4"=1'-0"



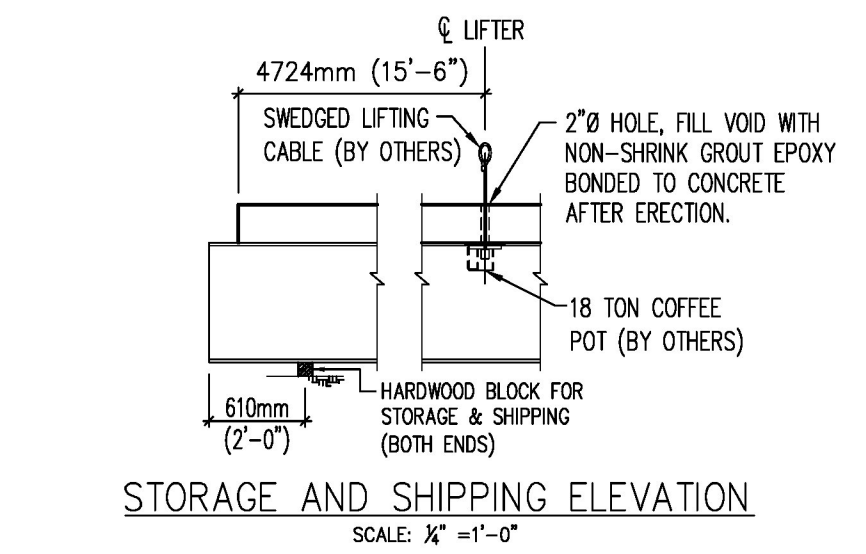
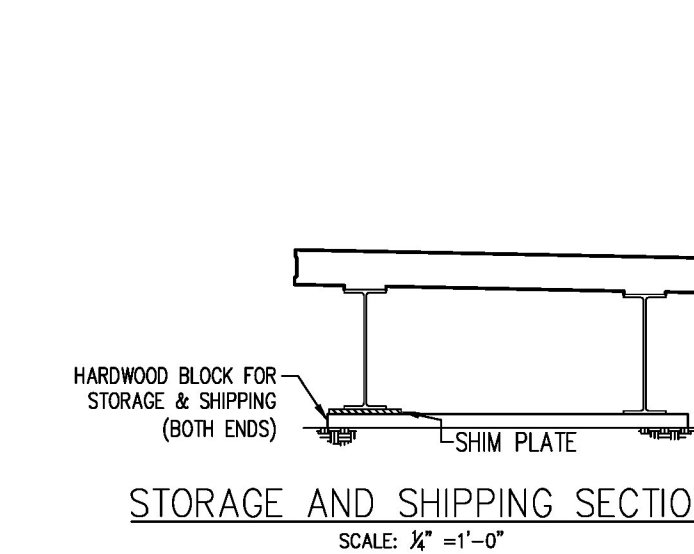
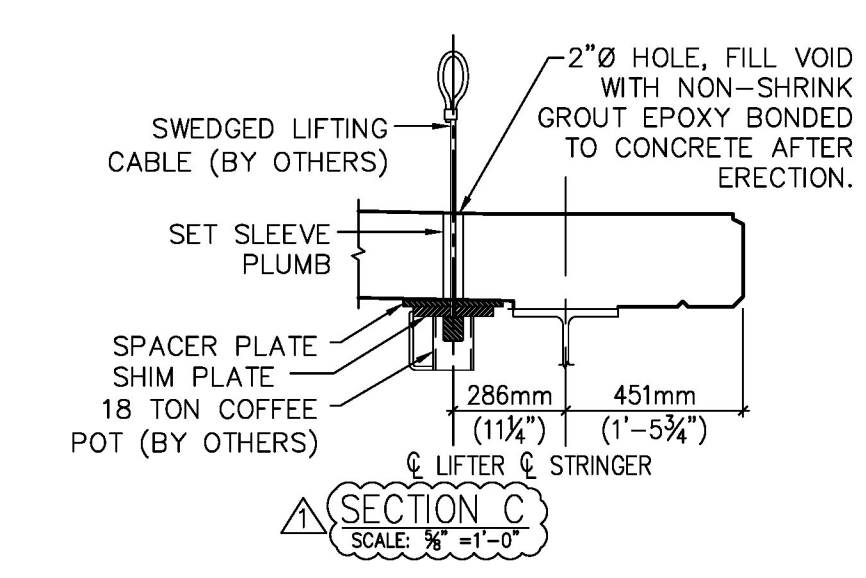
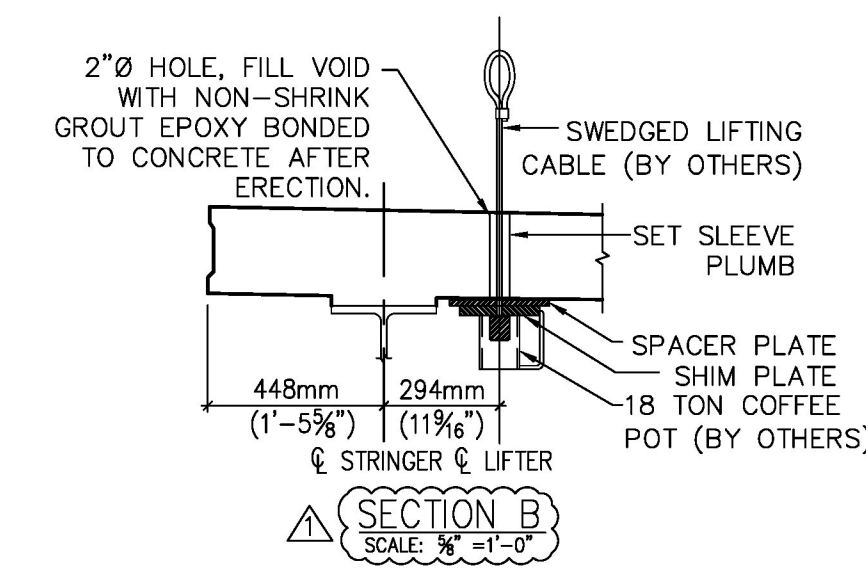
PLAN-IN-FORM (TRANSVERSE REINF.)  
SCALE: 1/4"=1'-0"



PLAN-IN-FORM (LONGITUDINAL REINF.)  
SCALE: 1/4"=1'-0"

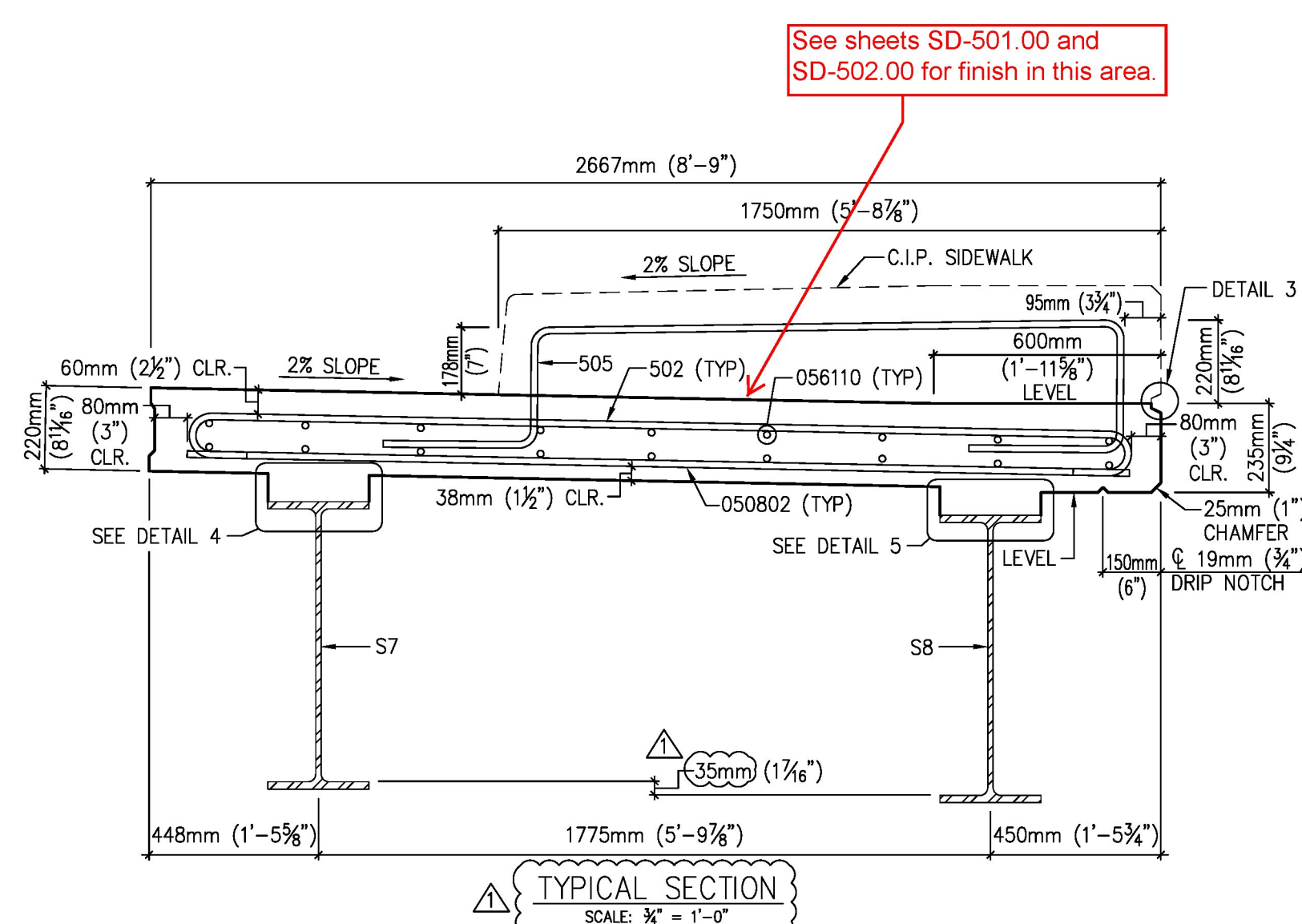
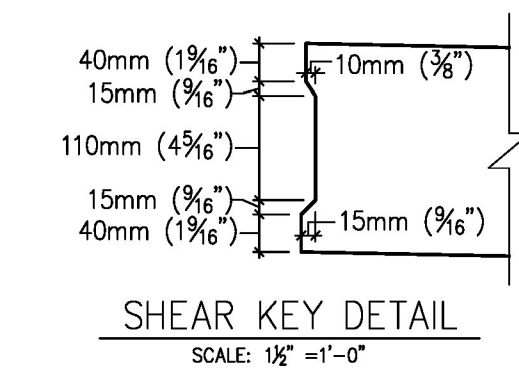


LIFTING AND HANDLING PLAN VIEW  
SCALE: 1/2"=1'-0"

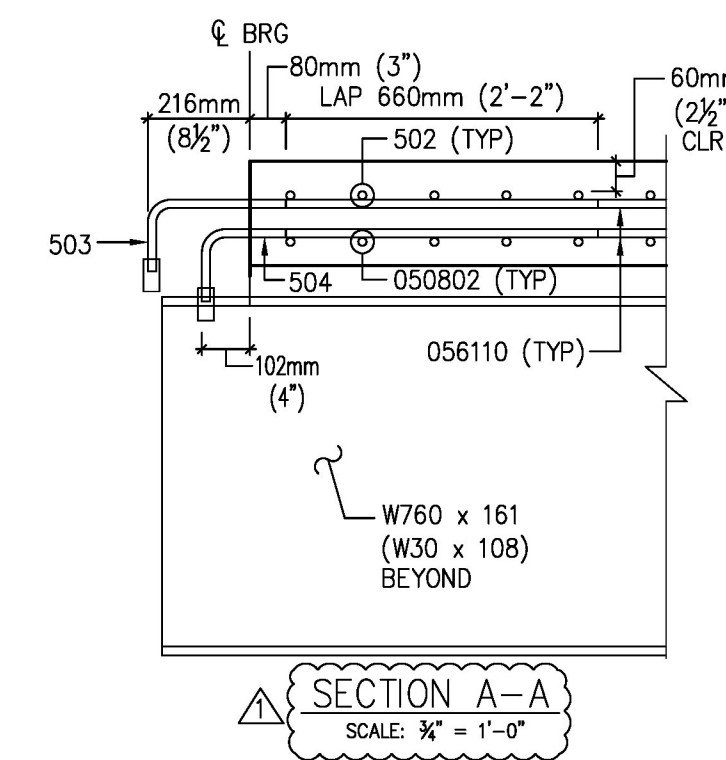
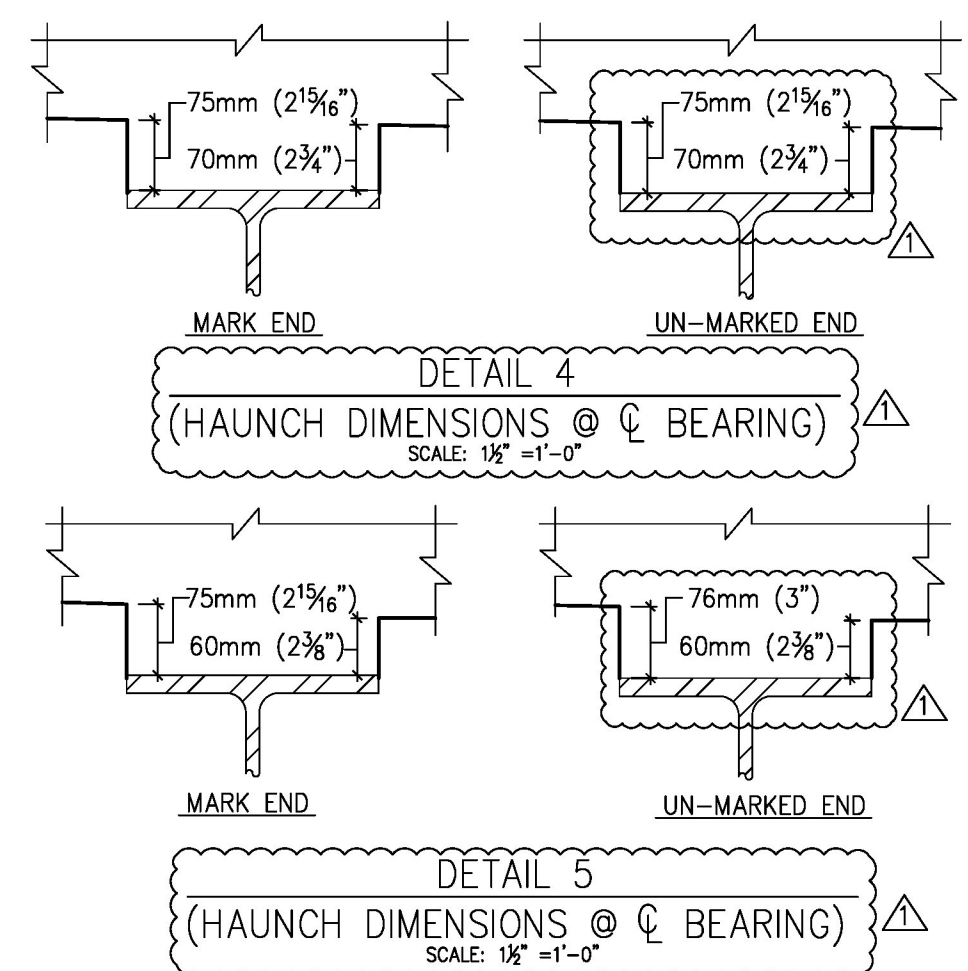
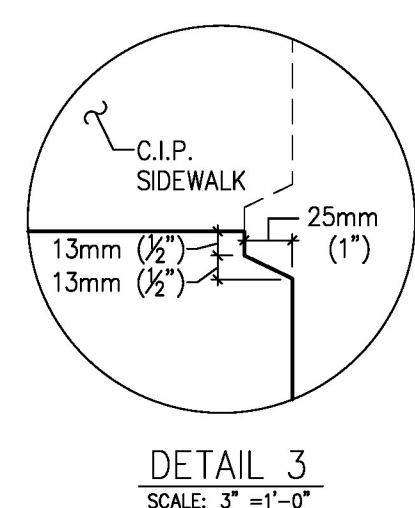


STORAGE AND SHIPPING SECTION  
SCALE: 1/2"=1'-0"

STORAGE AND SHIPPING ELEVATION  
SCALE: 1/2"=1'-0"



See sheets SD-501.00 and SD-502.00 for finish in this area.



Received Date: 4/22/11  
Checked By: Hiram Salls  
Approval Type: Approved As Noted  
Approved By: Chris Williams  
Date: 4/26/11

REVISIONS

1	PER REVISE & RESUBMIT DRAWINGS RECEIVED ON 04/14/11 PER SLAW COMMENTS ON 04/21/11
---	---

BAR LIST

MARK #	BAR SIZE	QTY	LENGTH	WT/PC (LBS)	TOTAL WT	TYPE	REMARKS
502	#16 (#5)	125	9'-5"	9.8	1228	BENT	EPOXY COATED
503	#16 (#5)	14	3'-6"	3.7	51	BENT	EPOXY COATED
504	#16 (#5)	14	3'-2"	3.3	46	BENT	EPOXY COATED
505	#16 (#5)	63	9'-7"	10.0	630	BENT	EPOXY COATED
050802	#16 (#5)	125	8'-2"	8.5	1065	STR.	EPOXY COATED
056110	#16 (#5)	18	61'-10"	64.5	1161	STR.	EPOXY COATED
TOTAL					4180		

MARK: BM-04	QTY: ONE	CONCRETE VOLUME: 15.63 cy
WT (CONC. & REBAR): 33.7 T	WT (STRUCT. STEEL): 6.9 T	
TOTAL WT: 40.6 T		
EMBEDMENTS		
MARK #	QTY	SUPPLIER
MATERIAL SPECIFICATION		
TYPE	DESCRIPTION	
CONCRETE	UNIT WEIGHT: 150 PCF REMOVAL FROM FORM: 4000 PSI 28 DAY: 4000 PSI CORROSION INHIBITOR: 0.0 GALS/CY	
REINFORCING STEEL	DEFORMED ASTM A775 EPOXY COATED REBAR	

DRAWN	CHECKED	ENGINEERED	CHECKED	APPROVED
KLJ 04/06/11	JJJ 04/06/11	--	--	RLJ 04/06/11

**Eriksson technologies** 813.989.3317  
TAMPA, FL LRFID.COM

J & R SLAW, INC.  
438 RIVERVIEW ROAD  
LEHIGHTON, PA. 18235  
(610)852-2020

STATE OF VERMONT  
AGENCY OF TRANSPORTATION  
SUPERSTRUCTURE REPLACEMENT  
EAST MONTPELIER

BRIDGE NO.: 71  
CONTRACT NO.: SLAW #773  
CONTRACTOR: AL ST. ONGE CONTRACTING  
FED. AID PROJECT NO.: BRF 037-2(B)

MARK NO.: BM-04 SHEET 05 OF 06