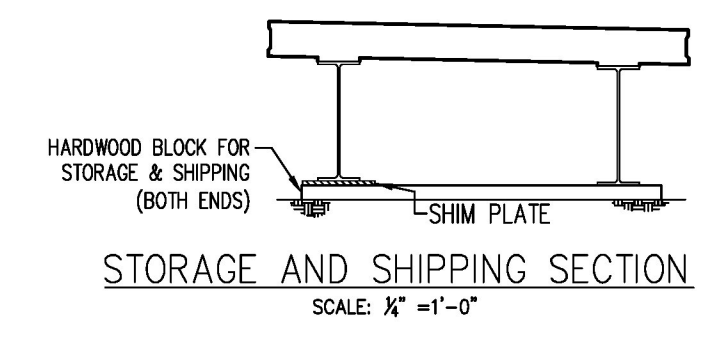
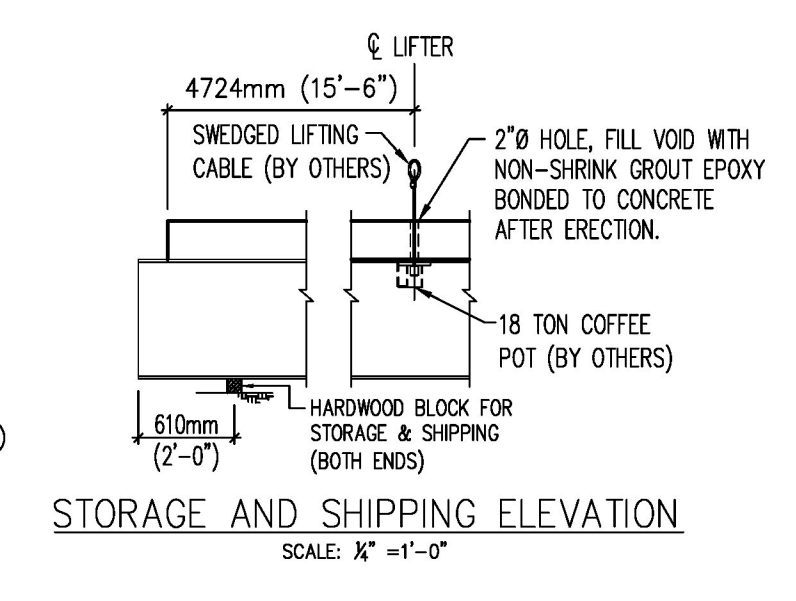
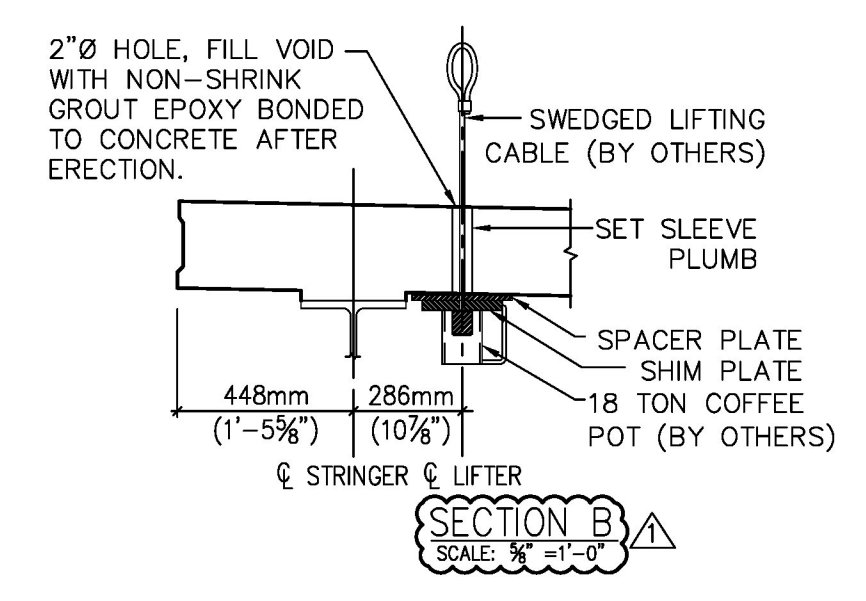
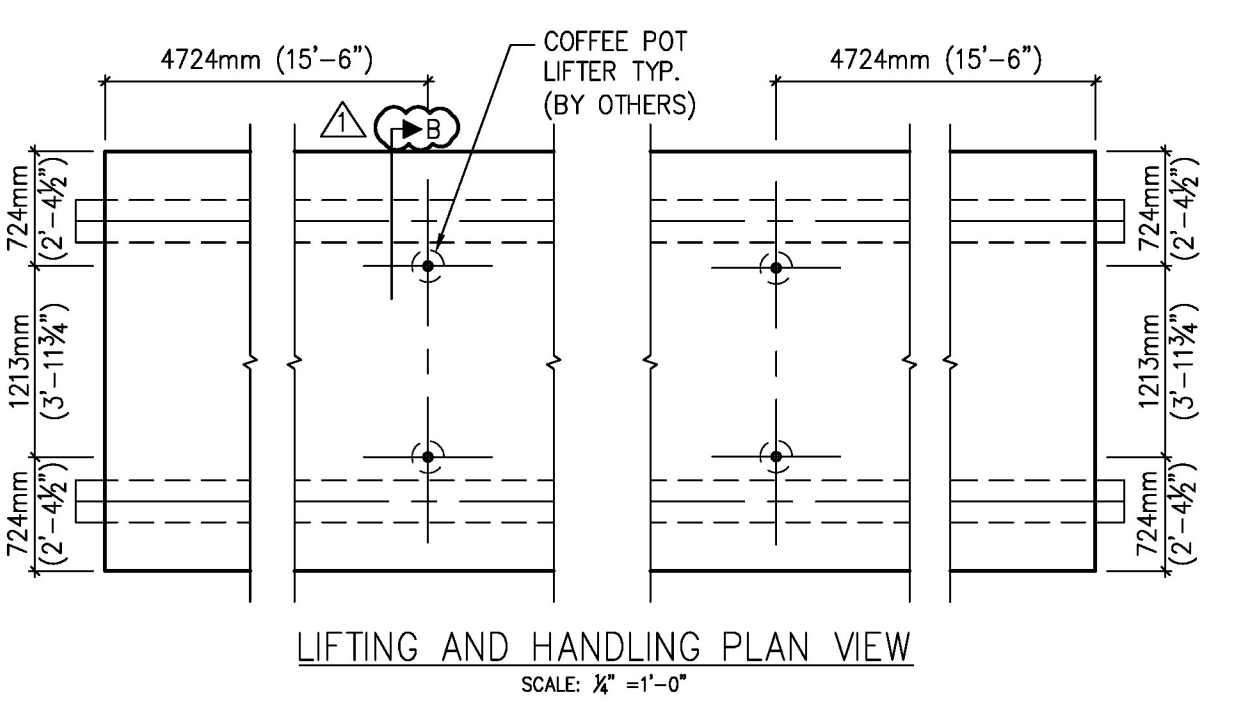
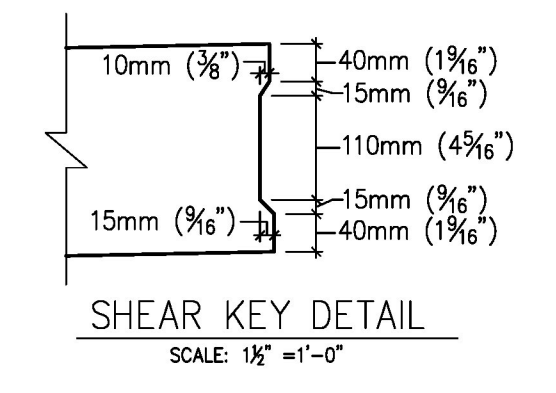
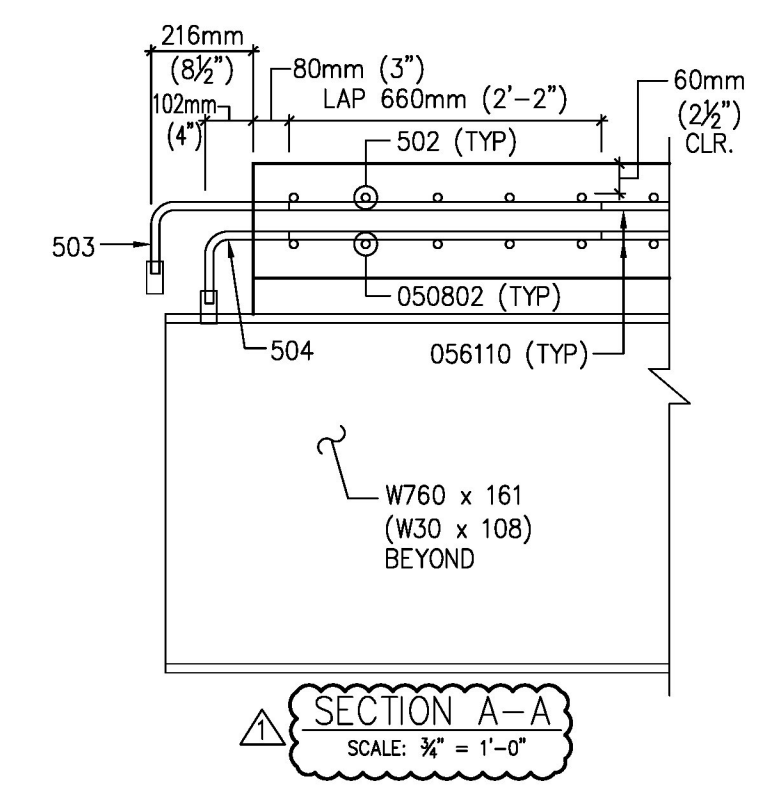
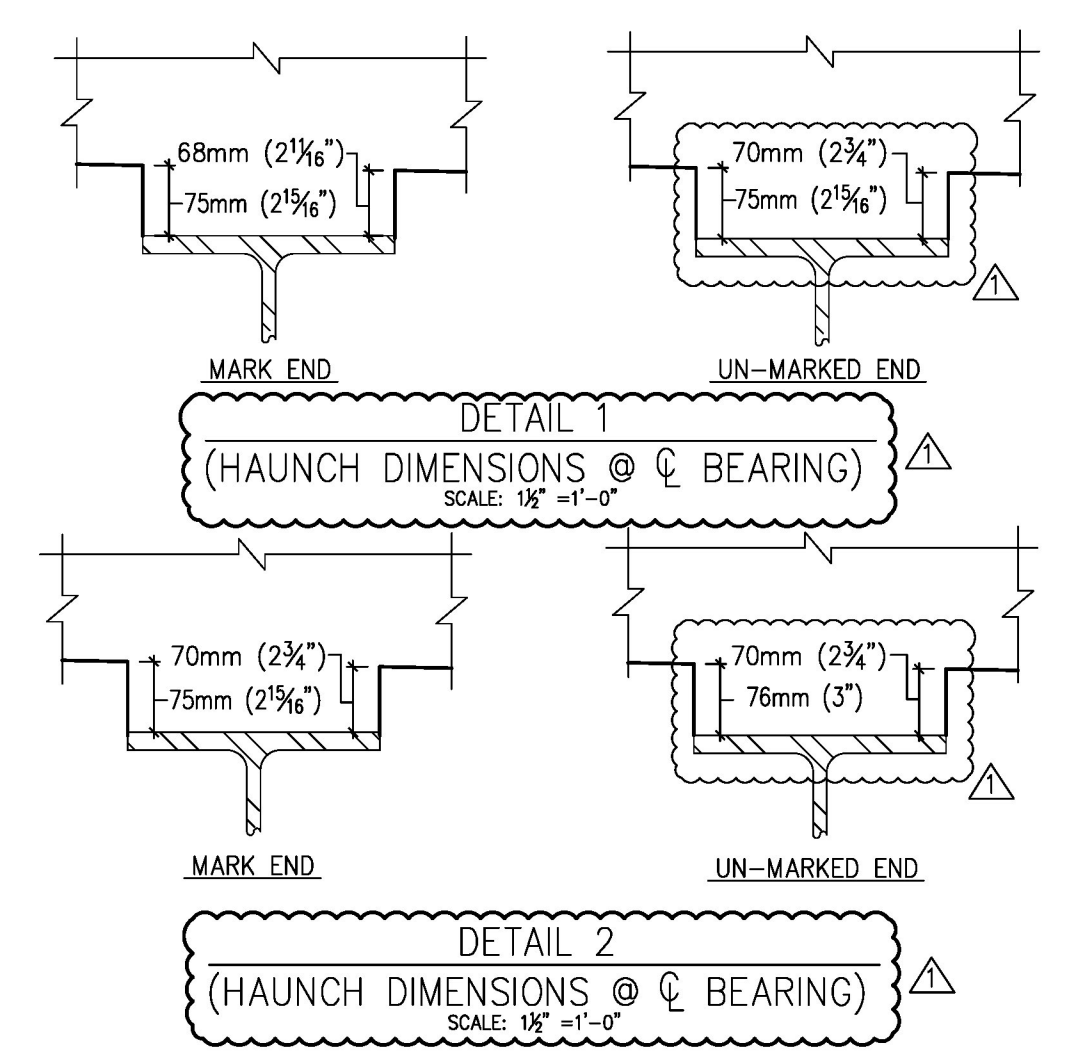
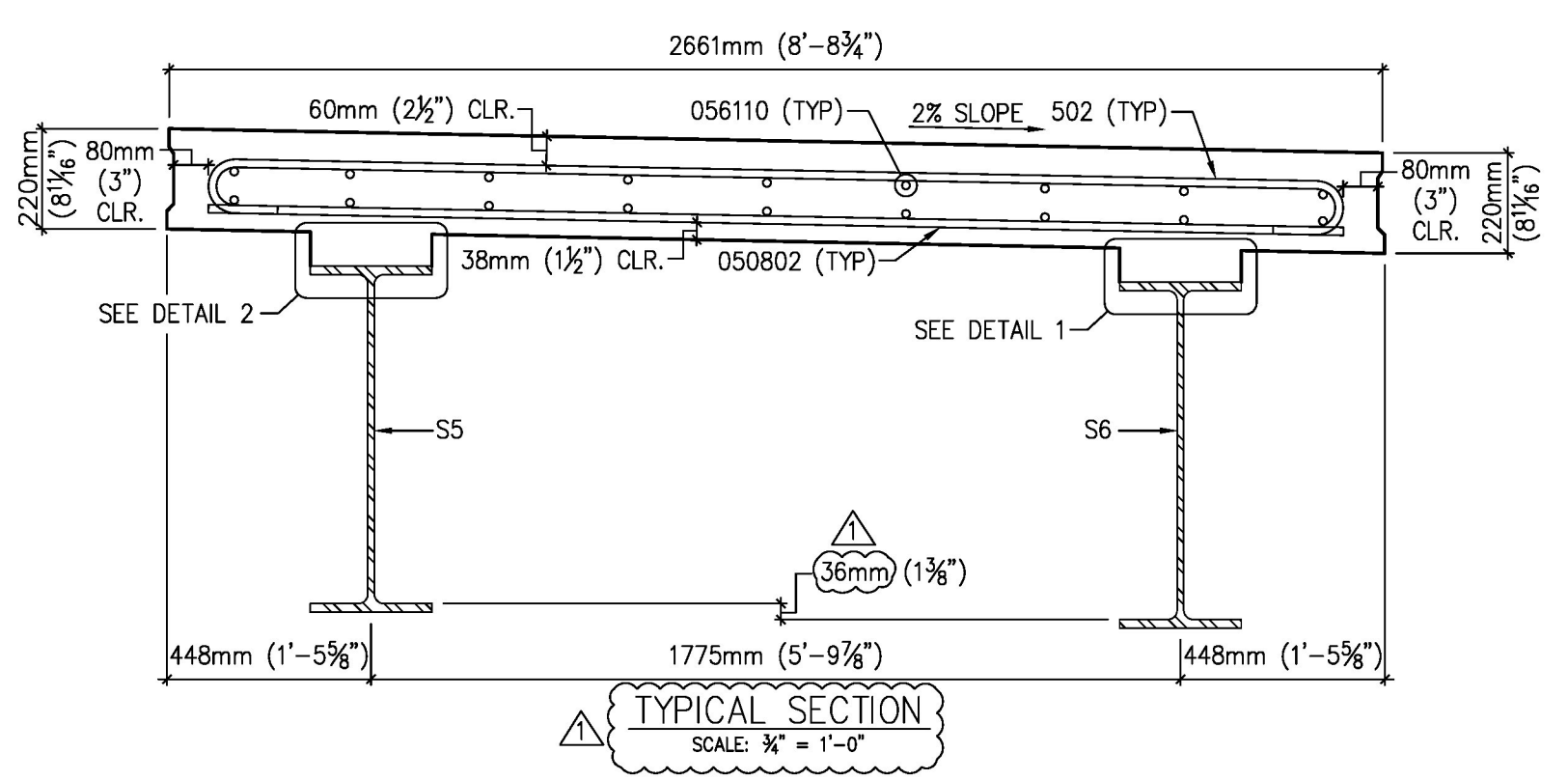
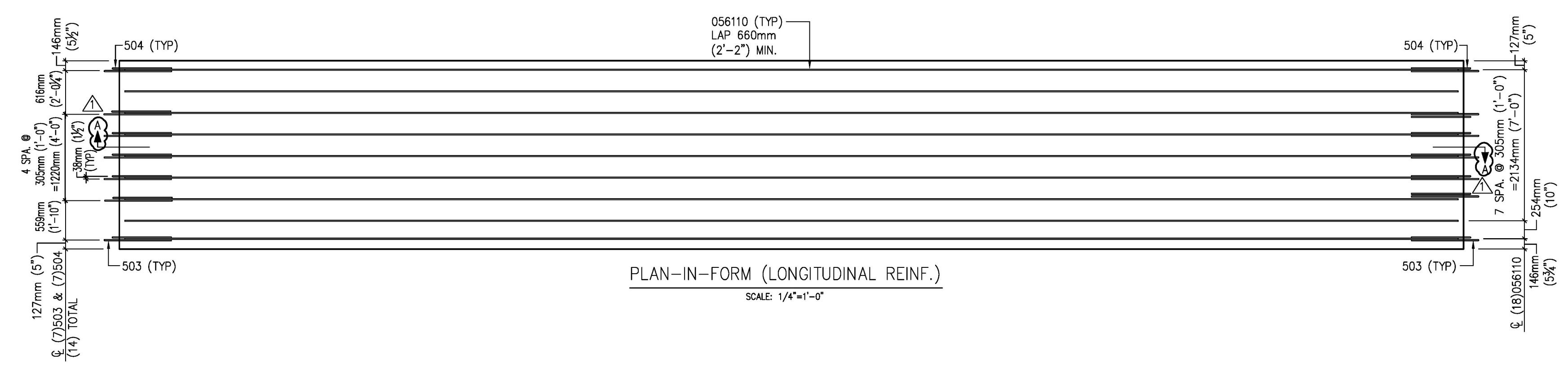
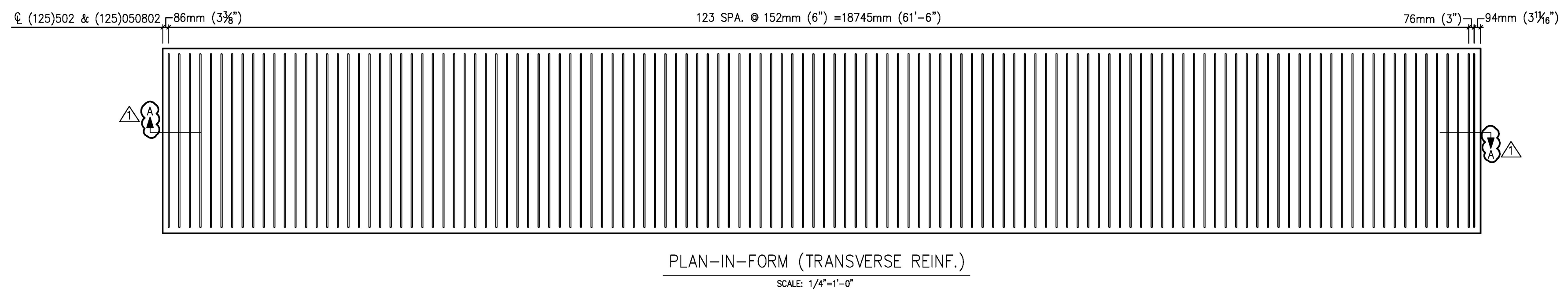
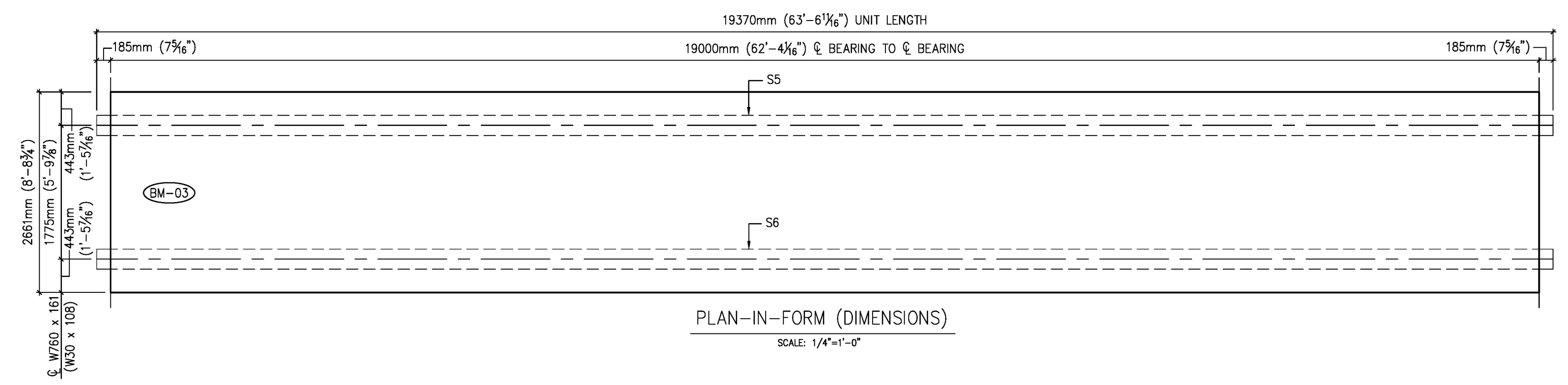


S:\Engineering Services\Slaw\East Montpelier VT\Production Drawings\AutoCAD Files\EM-3.dwg, 4/21/2011 4:22:32 PM



BAR LIST							
MARK #	BAR SIZE	QTY	LENGTH	WT/PC (LBS)	TOTAL WT	TYPE	REMARKS
502	#16 (#5)	125	9'-5"	9.8	1228	BENT	EPOXY COATED
503	#16 (#5)	14	3'-6"	3.7	51	BENT	EPOXY COATED
504	#16 (#5)	14	3'-2"	3.3	46	BENT	EPOXY COATED
050802	#16 (#5)	125	8'-2"	8.5	1065	STR.	EPOXY COATED
056110	#16 (#5)	18	61'-10"	64.5	1161	STR.	EPOXY COATED
TOTAL:					3551		

MARK: BM-03	QTY: ONE	CONCRETE VOLUME: 15.47 cy
WT (CONC. & REBAR): 33.1 T		WT (STRUCT. STEEL): 6.9 T
TOTAL WT: 40.0 T		
EMBEDMENTS		
MARK #	QTY	SUPPLIER
MATERIAL SPECIFICATION		
TYPE	DESCRIPTION	
CONCRETE	UNIT WEIGHT: 150 PCF	
	REMOVAL FROM FORM: 4000 PSI	
	28 DAY: 4000 PSI	
REINFORCING STEEL	CORROSION INHIBITOR : 0.0 GAL/CY	
	DEFORMED ASTM A775 EPOXY COATED REBAR	

DRAWN	CHECKED	ENGINEERED	CHECKED	APPROVED
KLT 04/06/11	JJ 04/06/11	--	-/-	RL 04/06/11

Eriksson technologies 813.989.3317
TAMPA, FL LRFD.COM

J & R SLAW, INC.
438 RIVERVIEW ROAD
LEHIGHTON, PA. 18235
(610)852-2020

STATE OF VERMONT
AGENCY OF TRANSPORTATION
SUPERSTRUCTURE REPLACEMENT
EAST MONTPELIER

BRIDGE NO.: 71
CONTRACT NO.: SLAW #773
CONTRACTOR: AL ST. ONGE CONTRACTING
FED. AID PROJECT NO.: BRF 037-2(B)

MARK NO.: BM-03 SHEET 04 OF 06

REVISIONS	
Δ	PER REVISE & RESUBMIT DRAWINGS RECEIVED ON 04/14/11 PER SLAW COMMENTS ON 04/21/11

Received Date: 4/22/11
Checked By: Hiram Salls
Approval Type: Approved
Approved By: Chris Williams
Date: 4/26/11