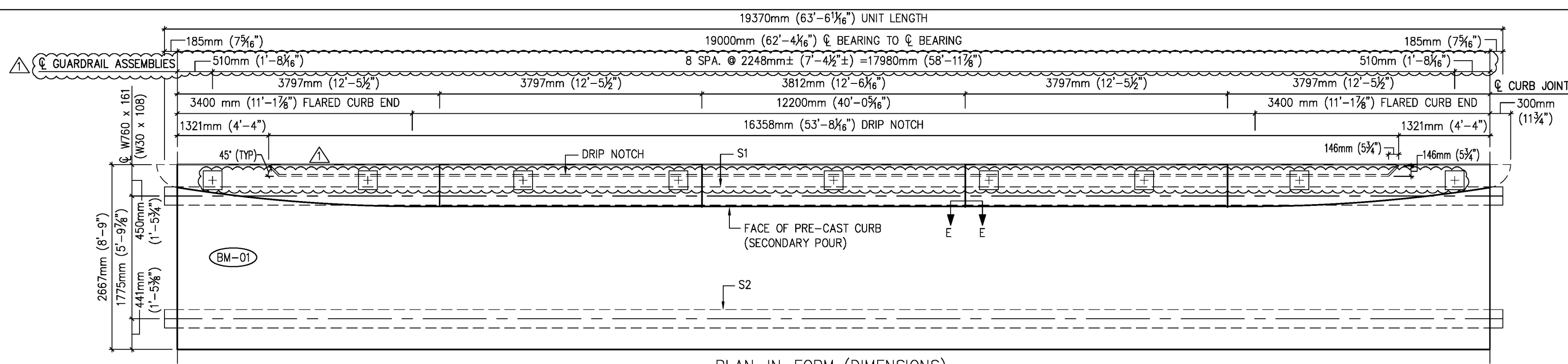
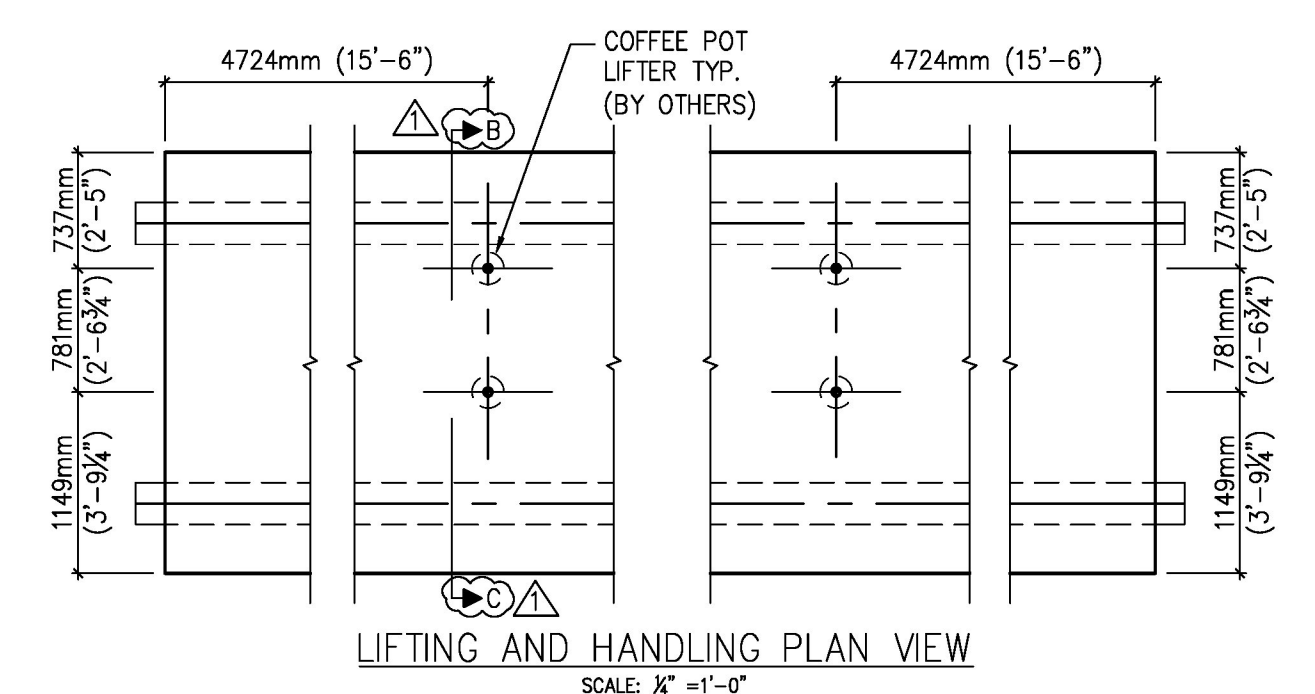


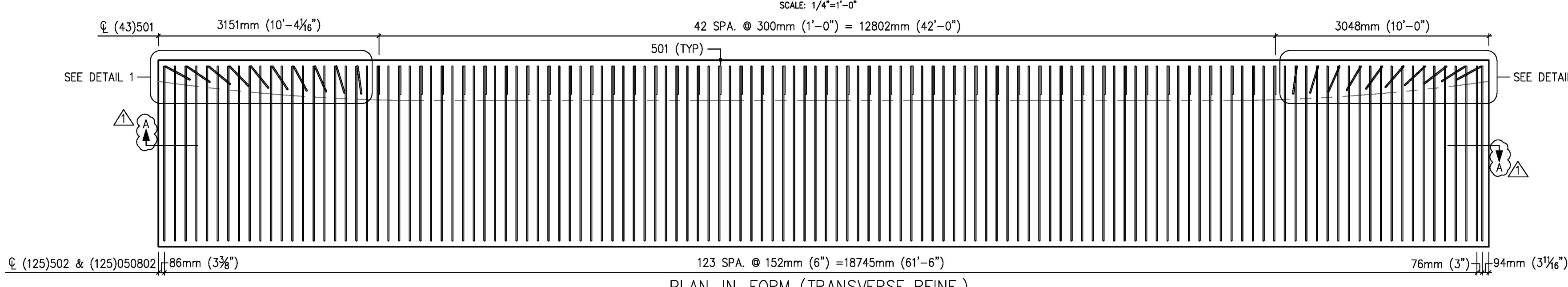
S:\Engineering Services\Slaw\East Montpelier VTP\Production Drawings\AutoCAD Files\EM-1.dwg, 4/21/2011 4:16:03 PM



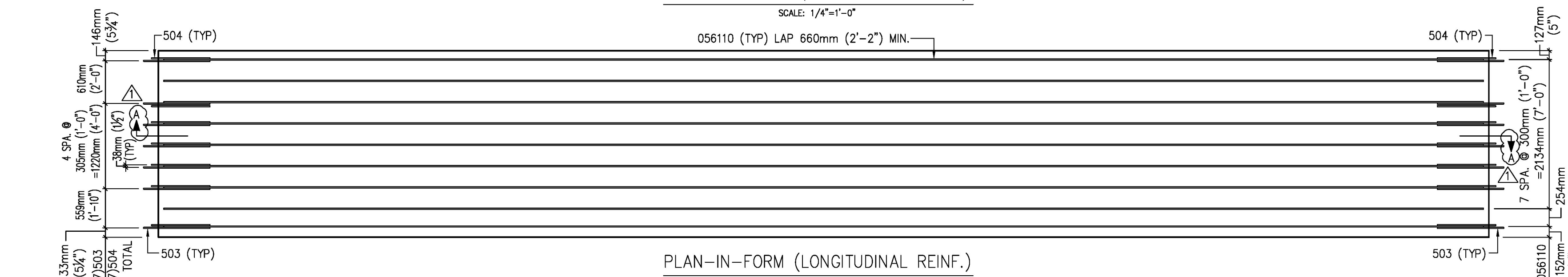
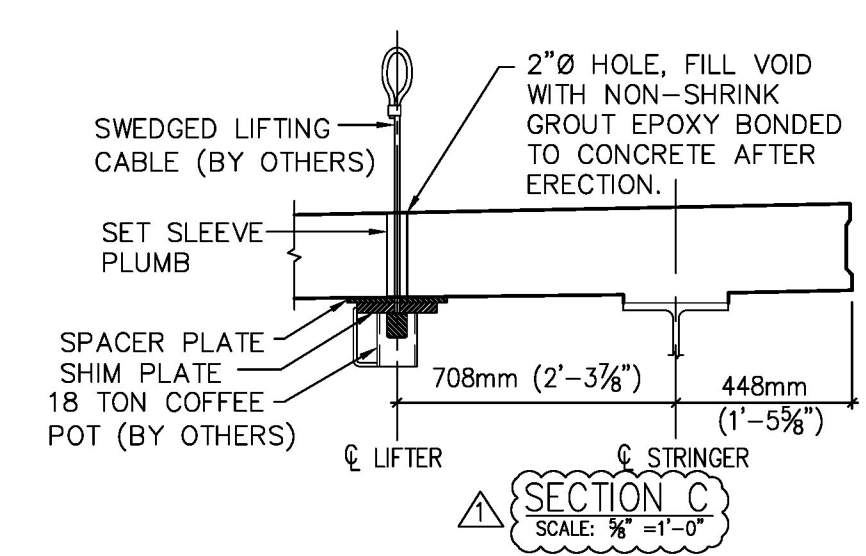
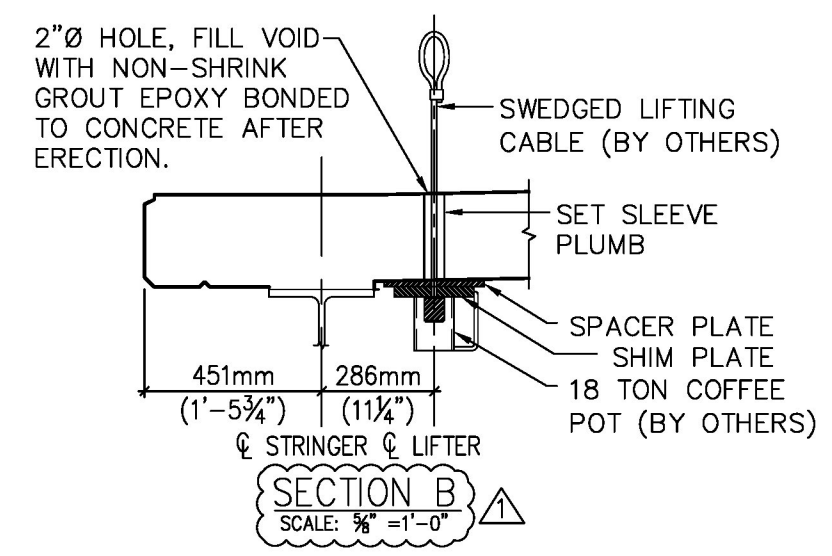
PLAN-IN-FORM (DIMENSIONS)



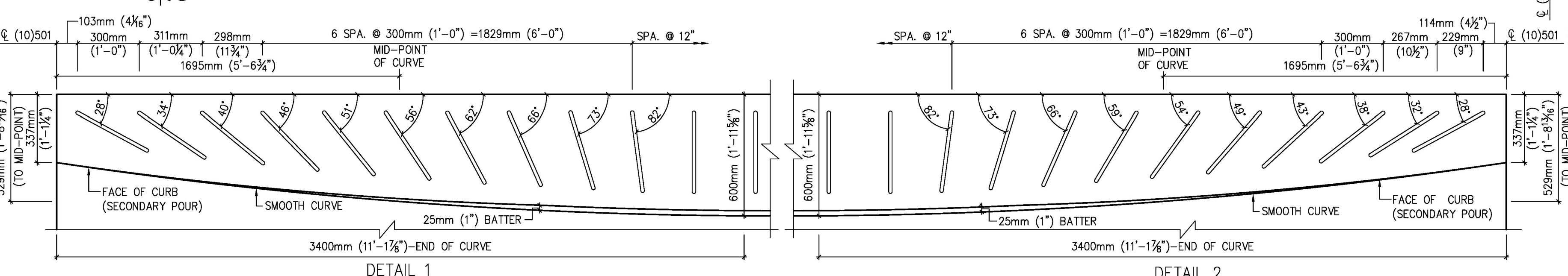
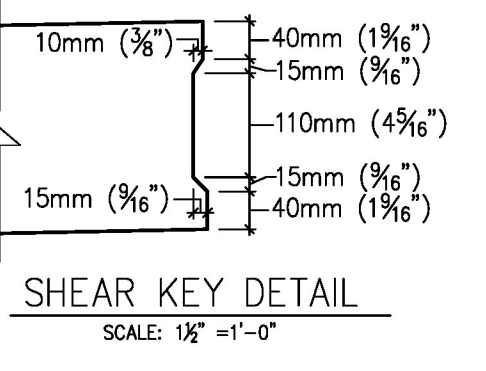
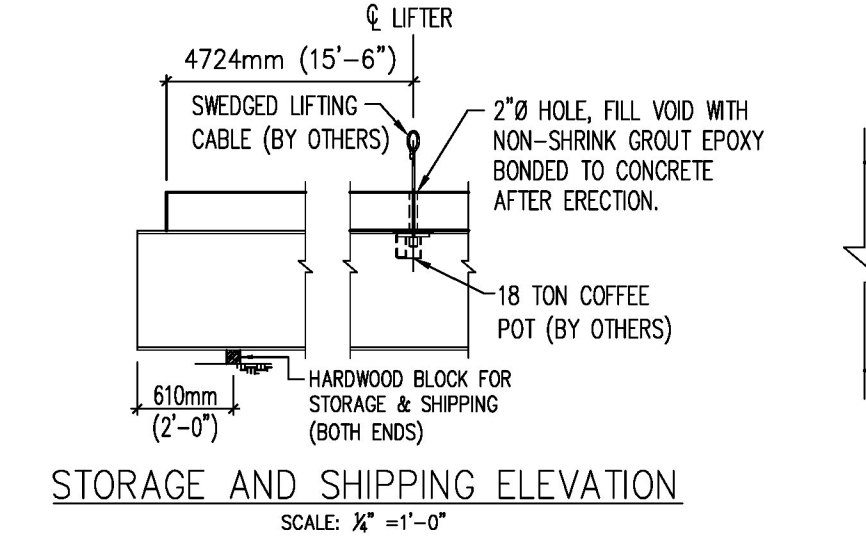
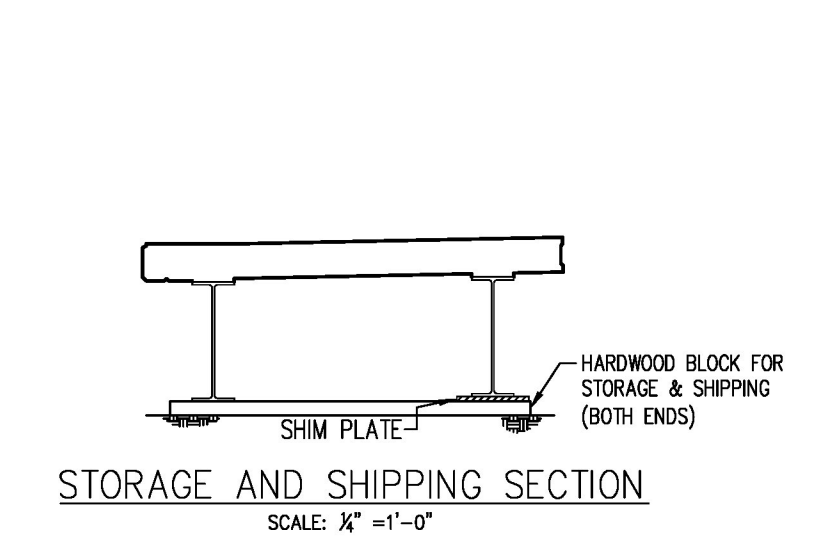
BAR LIST						
MARK #	BAR SIZE	QTY	LENGTH	WT/PC (LBS)	TOTAL WT	REMARKS
501	#16 (#5)	63	6'-1"	6.3	400	BENT EPOXY COATED
502	#16 (#5)	125	9'-5"	9.8	1228	BENT EPOXY COATED
503	#16 (#5)	14	3'-6"	3.7	51	BENT EPOXY COATED
504	#16 (#5)	14	3'-2"	3.3	46	BENT EPOXY COATED
050802	#16 (#5)	125	8'-2"	8.5	1065	STR. EPOXY COATED
056110	#16 (#5)	18	61'-10"	64.5	1161	STR. EPOXY COATED
052209	#16 (#5)	12	22'-9"	23.7	285	STR. EPOXY COATED
TOTAL:					4235	



PLAN-IN-FORM (TRANSVERSE REINF.)

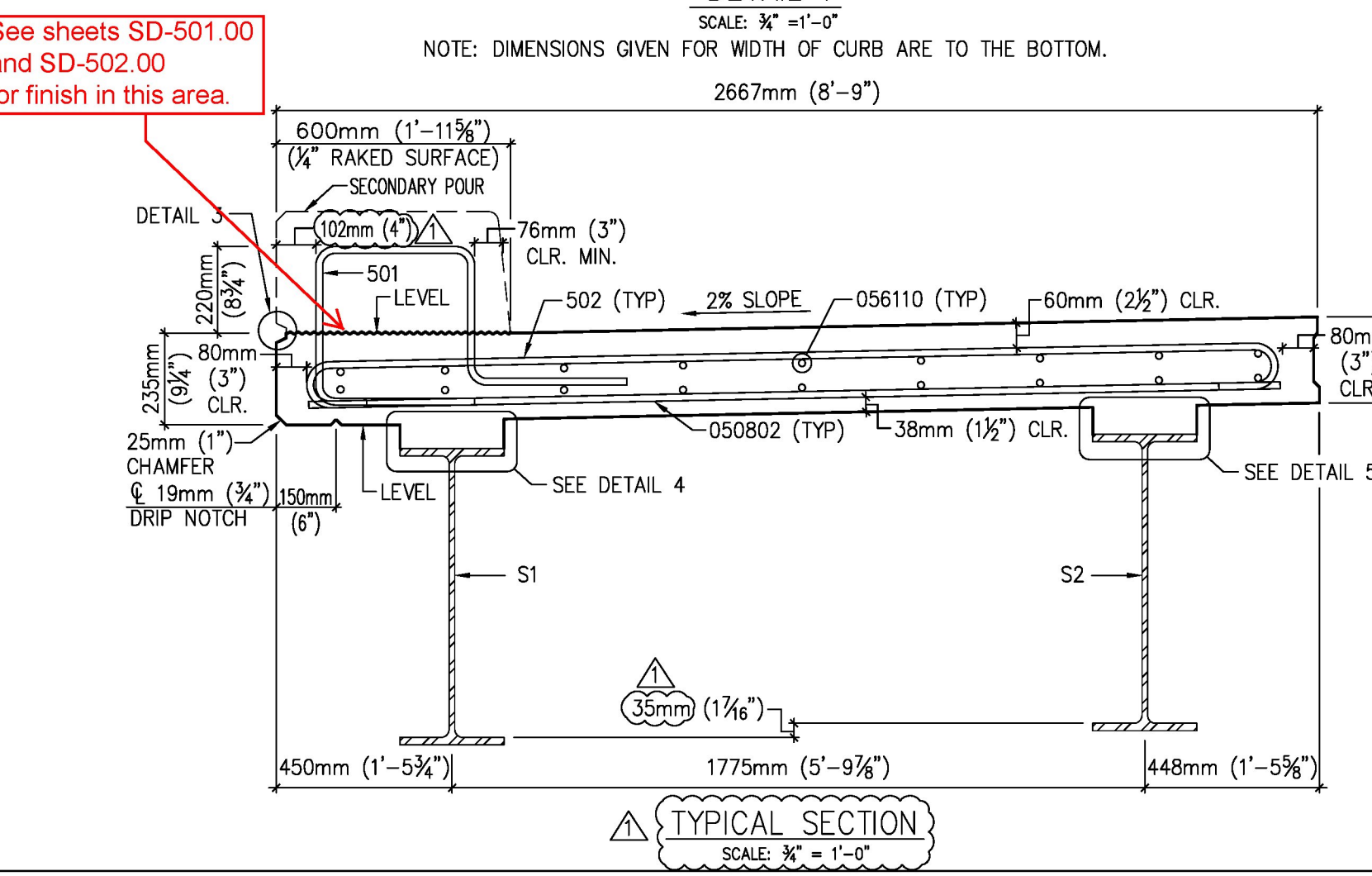


PLAN-IN-FORM (LONGITUDINAL REINF.)

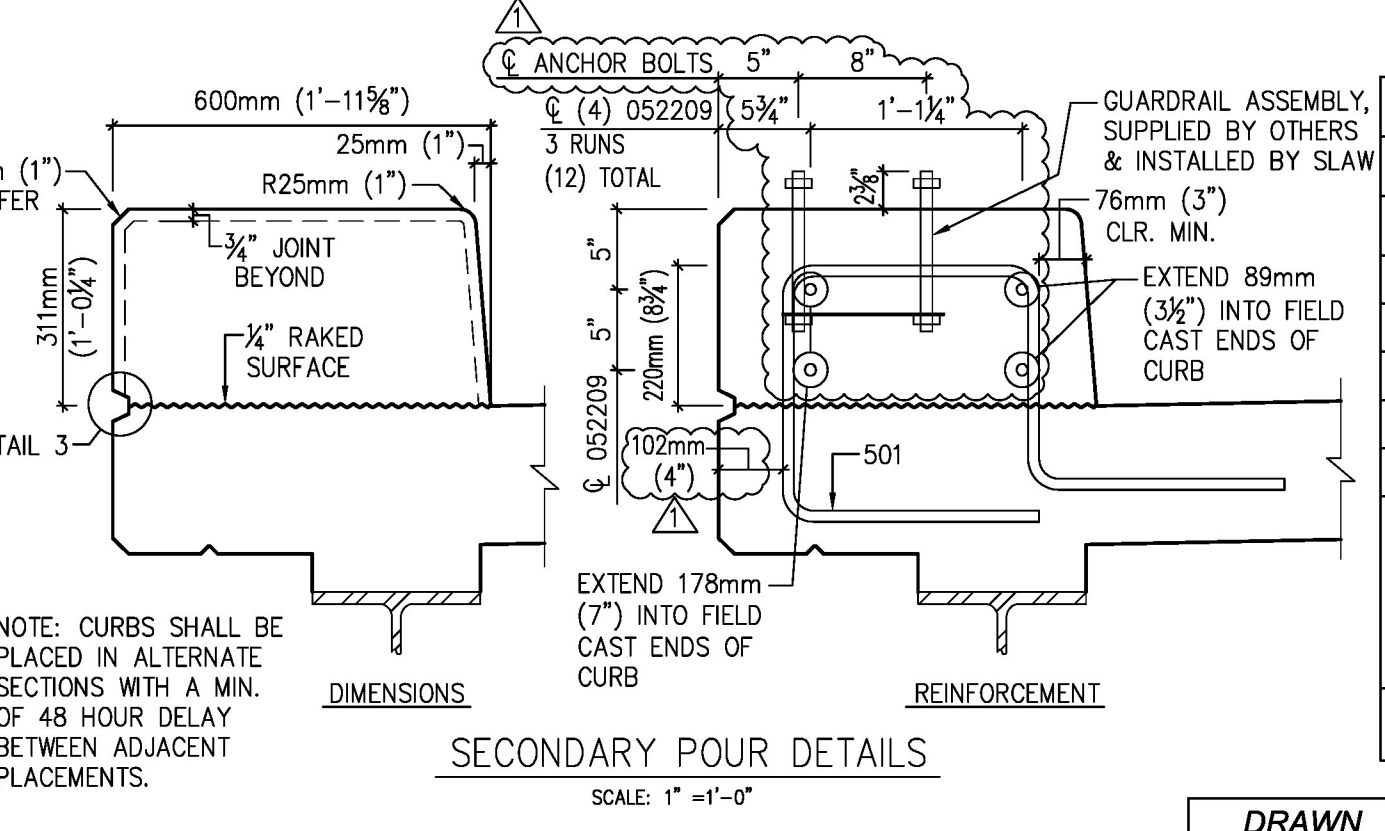
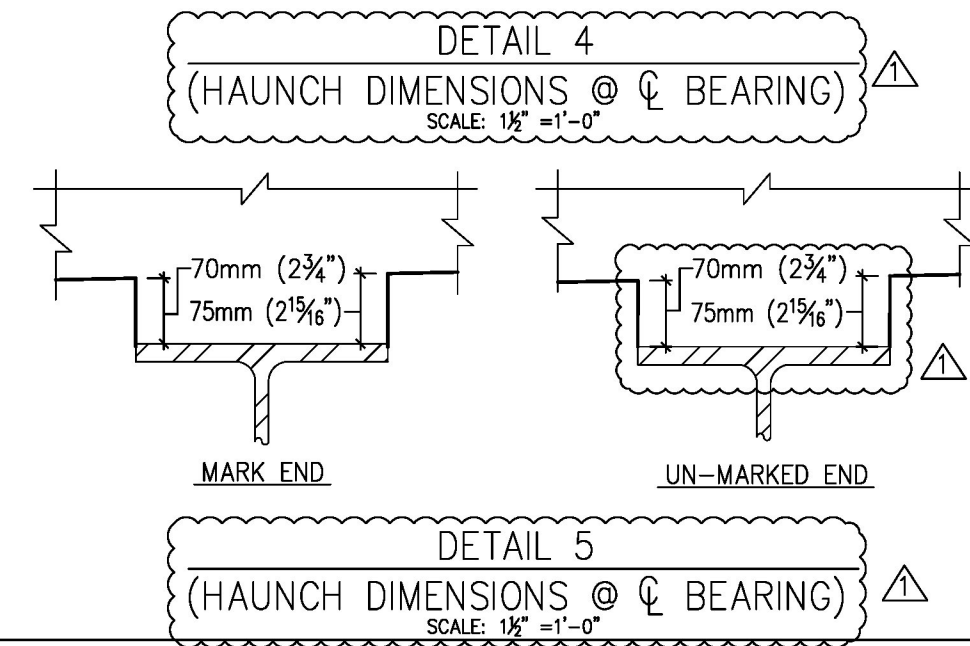
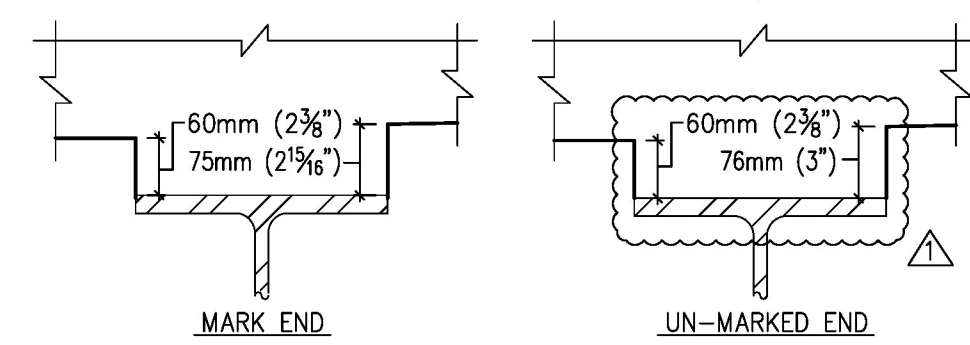


NOTE: DIMENSIONS GIVEN FOR WIDTH OF CURB ARE TO THE BOTTOM.

NOTE: DIMENSIONS GIVEN FOR WIDTH OF CURB ARE TO THE BOTTOM.

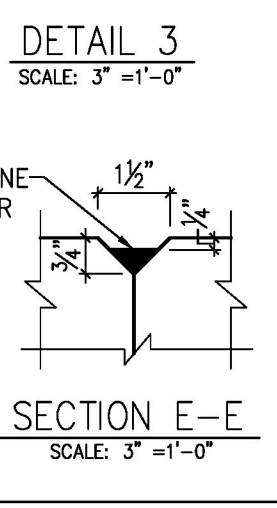
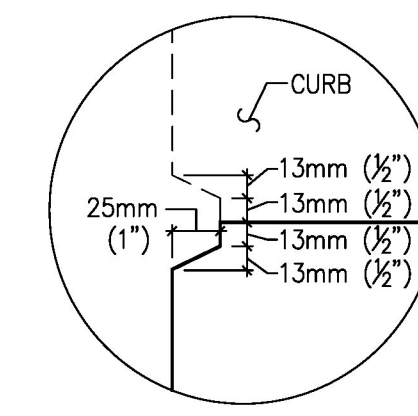


TYPICAL SECTION



NOTE: CURBS SHALL BE PLACED IN ALTERNATE SECTIONS WITH A MIN. OF 48 HOUR DELAY BETWEEN ADJACENT PLACEMENTS.

SECONDARY POUR DETAILS



MARK: BM-01	QTY: ONE	CONCRETE VOLUME: 20.02 cy
WT (CONC. & REBAR): 42.6 T	WT (STRUCT. STEEL): 6.9 T	
TOTAL WT: 49.5 T		
EMBEDMENTS		REMARKS
MARK #	QTY	SUPPLIER
MATERIAL SPECIFICATION		
TYPE	DESCRIPTION	
CONCRETE	UNIT WEIGHT: 150 PCF REMOVAL FROM FORM: 4000 PSI 28 DAY: 4000 PSI CORROSION INHIBITOR: 0.0 GALS/CY	
REINFORCING STEEL	DEFORMED ASTM A775 EPOXY COATED REBAR	

DRAWN	CHECKED	ENGINEERED	CHECKED	APPROVED
KLT 04/06/11	JJ 04/06/11	--	--	RL 04/06/11

**Eriksson technologies** 813.989.3317 TAMPA, FL LRFD.COM

J & R SLAW, INC.  
438 RIVERVIEW ROAD  
LEHIGHTON, PA. 18235  
(610)852-2020

STATE OF VERMONT  
AGENCY OF TRANSPORTATION  
SUPERSTRUCTURE REPLACEMENT  
EAST MONTPELIER

BRIDGE NO.: 71  
CONTRACT NO.: SLAW #773  
CONTRACTOR: AL ST. ONGE CONTRACTING  
FED. AID PROJECT NO.: BRF 037-2(B)

MARK NO.: BM-01 SHEET 02 OF 06

Received Date: 4/22/11  
Checked By: Hiram Salls  
Approval Type: Approved As Noted  
Approved By: Chris Williams  
Date: 4/26/11

REVISIONS

PER REVISE & RESUBMIT DRAWINGS RECEIVED ON 04/14/11  
PER SLAW COMMENTS ON 04/21/11