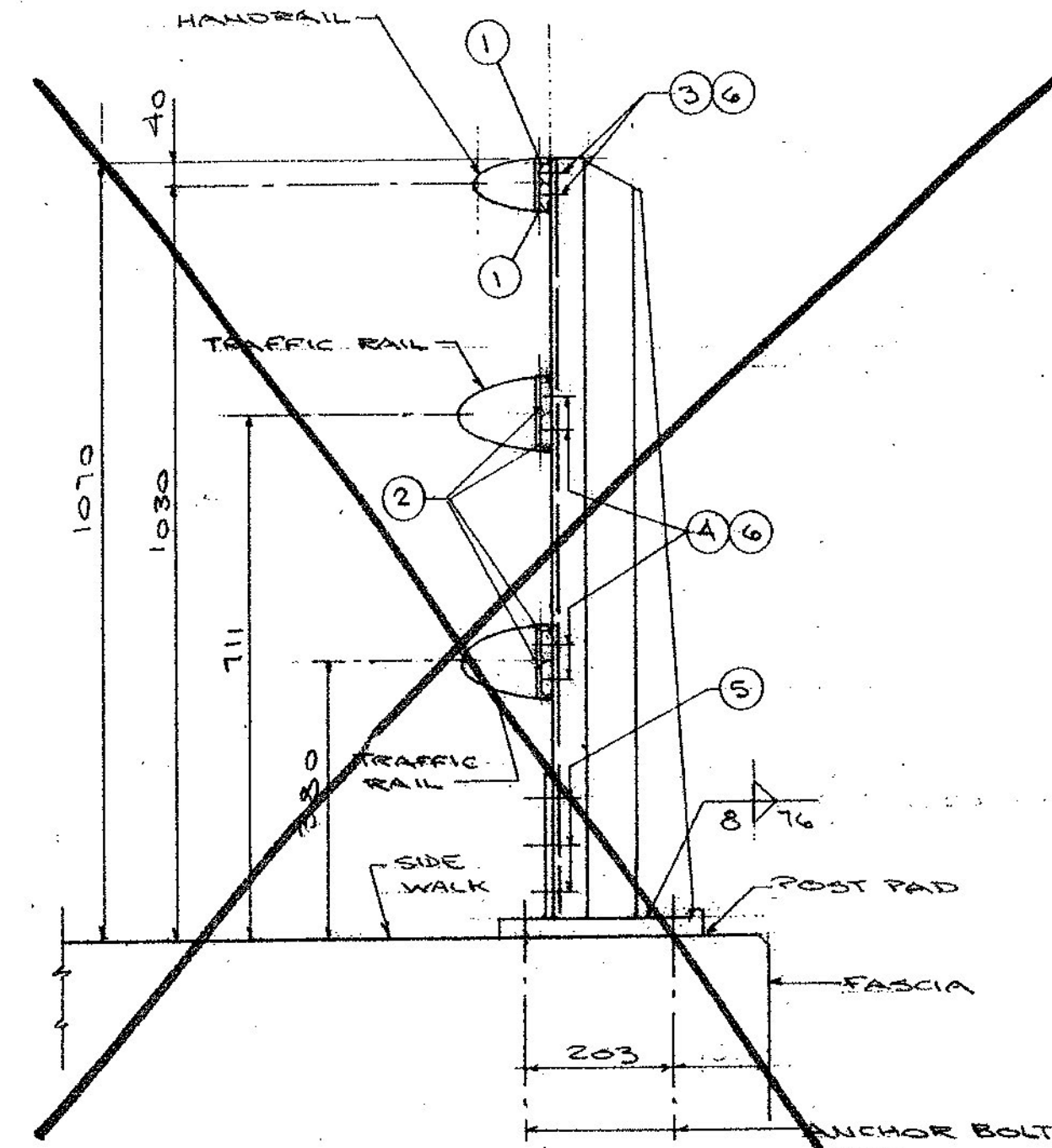
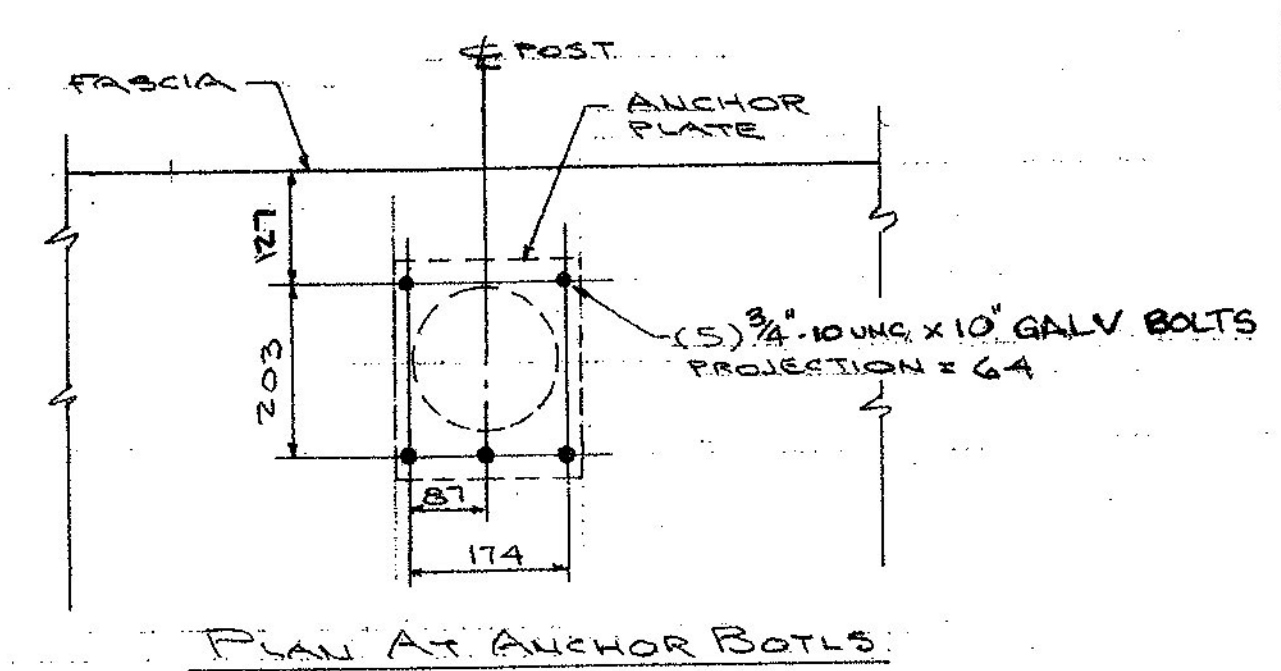
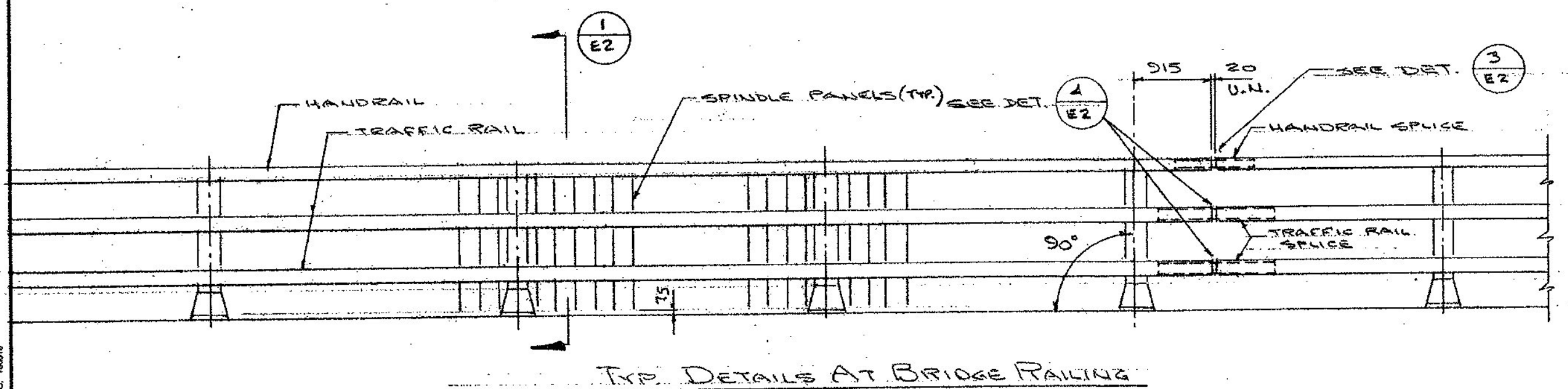
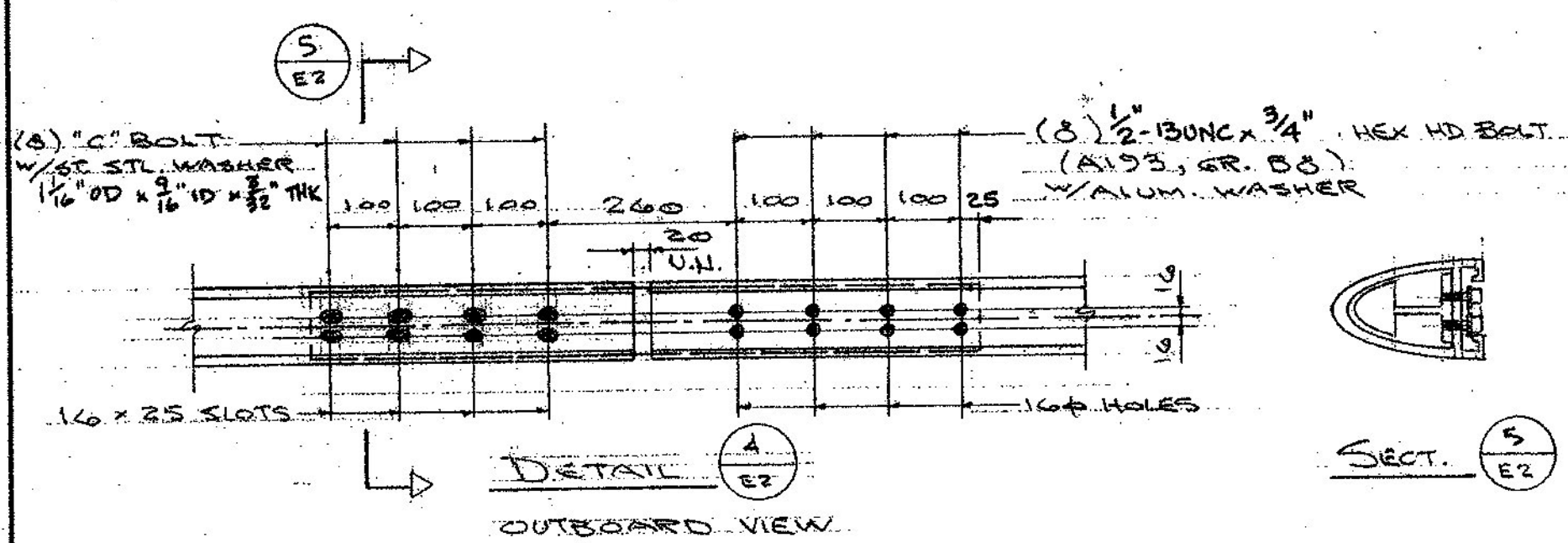
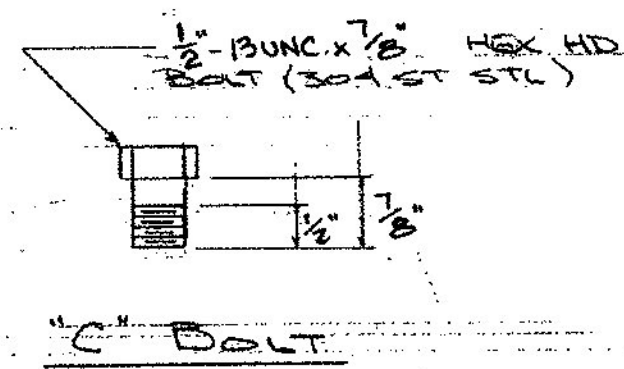
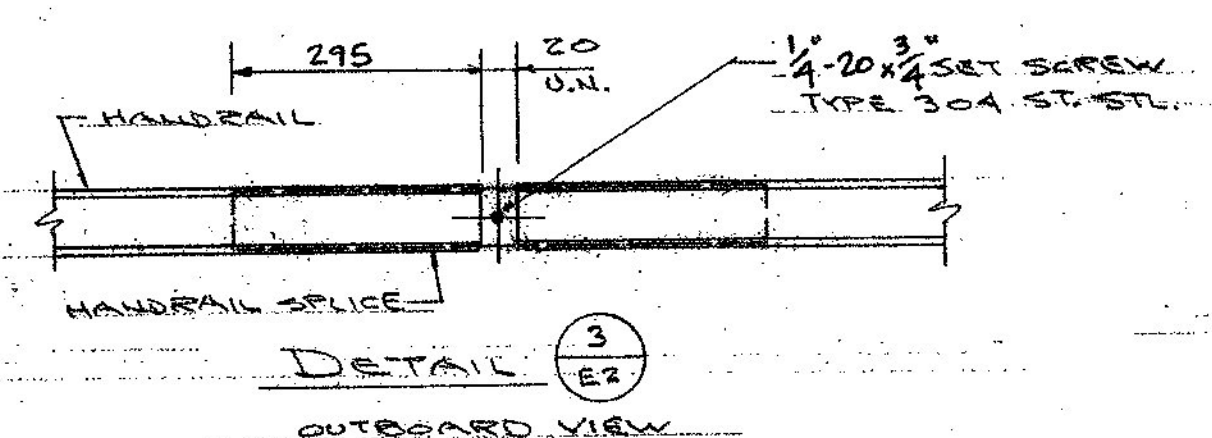


- ① #4 CLAMP BAR
- ② #1 CLAMP BAR
- ③ 1/2"-13 x 3/4" HEX HEAD CAP SCREW (A193, GRADE B8)
- ④ 1/2"-13 x 1" HEX HEAD CAP SCREW (A193, GRADE B8)
- ⑤ 7/8" DIA. ALUM. RIVET (6061-T6), BUTTON HEAD, CONE POINT COLD DRIVEN
- ⑥ ALUM. WASHER 1 1/16" OD x 9/16" ID x 3/32" THK (ALCAD 2024-T4)
- ⑦ 1/2"-13 x 1/2" HEX HEAD CAP SCREW (304 SS)
- ⑧ 1/2"-13 HEX NUT (304 SS)
- ⑨ REFLECTORIZED DELINIATOR (WHITE) PER SPECS. LOCATED EVERY 9M, OR CLOSEST POST. TYPICAL AT BRIDGE RAIL AND APPROACH RAIL (BY OTHERS)
- ⑩ #8 x 3/4" SS SELF-TAPPING SCREW. POSTS DRILLED IN FIELD. (FURNISHED AND INSTALLED BY OTHERS)



SECTION 2/E1
NOT USED



Received Date: 6/1/11
 Checked By: Hiram Salls
 Reviewed By: Rob Young
 Approval Type: Approved
 Approved By: Chris Williams
 Date: 6/13/11

Job No. AB17044					
HANDRAIL			TRAFFIC RAIL		
QTY.	MK.	LENGTH	QTY.	MK.	LENGTH
2	H1	10 642	4	T1	10 642
1	H2	10 219 (DL)	2	T2	10 245 (DL)
1	H3	8792	2	T3	8792
2	H4	3556	6	T4	7587
2	H5	3556	2	T5	3556
4	MA-HR	END CAPS	2	MA-TR	END CAPS
STANDOFFS			POSTS		
19	P1	"BRIDGE" POSTS	18	P1	"BRIDGE" POSTS
2	1R	"APPROACH" POSTS	1	P2	"
2	2R	"	2	1R	"APPROACH" POSTS
2	3R	"	2	2R	"
2	4R	"	2	3R	"
1	5R	"	2	4R	"
1	6R	"	1	5R	"
1	7R	"	1	6R	"
2	1L	"	1	7R	"
2	2L	"	2	1L	"
2	3L	"	2	2L	"
2	4L	"	2	3L	"
2	5L	"	2	4L	"
2	6L	"	2	5L	"
2	7L	"	2	6L	"
FASTENERS			2	7L	"
176	#1 CLAMP BARS	PICKET PANELS			
70	#4 CLAMP BARS	14	PP1	2028 x 964	
150	"C" BOLTS	2	PP2	2028 x 964	
150	1/2" S.S. WASHER	1	PP3	582 x 964	
184	1/2"-13 x 3/4" HEX HEAD CAP SCREW (A193)	1	PP4	228 x 1218	
356	1/2"-13 x 1" HEX HEAD CAP SCREW (A193)	2	S1	HANDRAIL SPLICE	
250	1/2"-13 x 1 1/2" HEX HEAD CAP SCREW (A193)	4	S3	"	
250	1/2"-13 HEX NUTS S.S.	4	S2	TRAFFIC RAIL SPL	
790	1/2" ALUM. FLAT WASHER	4	S4	"	
19	ANCHOR BOLT ASSEM.	4	S5	"	
100	3/4"-10 HDG HWY HEX NUT	3	S6	"	
100	3/4" HDG STR. FLAT WASH.	3	S7	"	
168	1/2"-3/4" ST. STL. SOCKET SET SCREWS	19		POST PADS	

ALL FASTENERS ARE IN ENGLISH UNITS			DIM'S. ARE GIVEN IN MILLIMETERS		
<p>AUCIELLO IRON WORKS INC 580 MAIN ST. HUDSON, MA (978) 568-8382</p> <p>VT. AGENCY OF TRANSPORTATION EAST MONTPELIER, VT VT RT 14, BRIDGE #17 BR# 037-2 (8)</p> <p>ALUM. BRIDGE RAILING</p> <p>SURFACE PREP: NONE FINISH: MILL</p> <p>FOR: F.R. LAFAYETTE, INC. DR: 5-17-2011 DWG. NO. CHK: 5-25-11 BR 3006</p>					
1	5-25-11	FOR APPROVAL	BY	DATE	DESCRIPTION
					AB17044-1001 SHEET 1-E2 OF