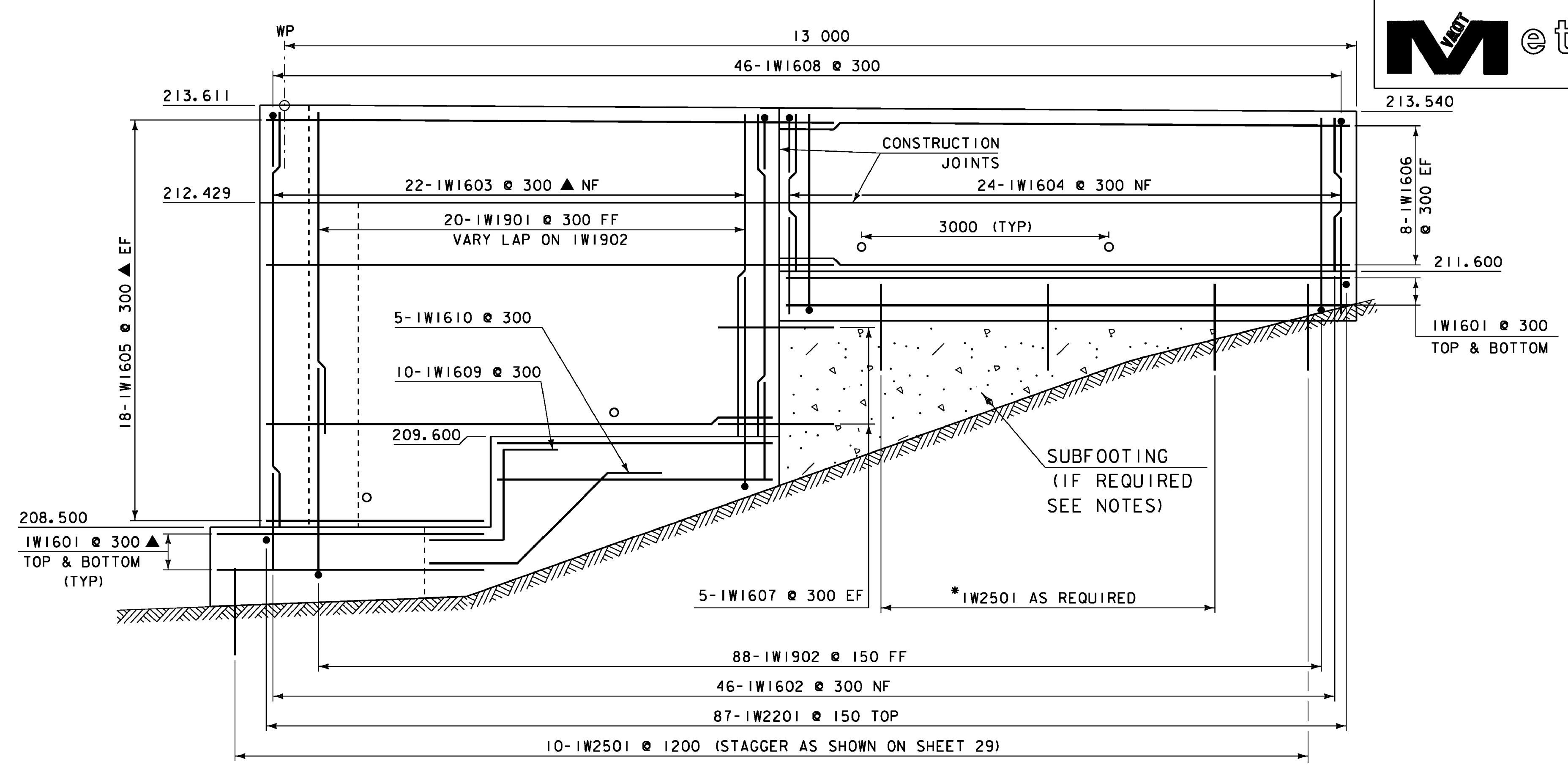
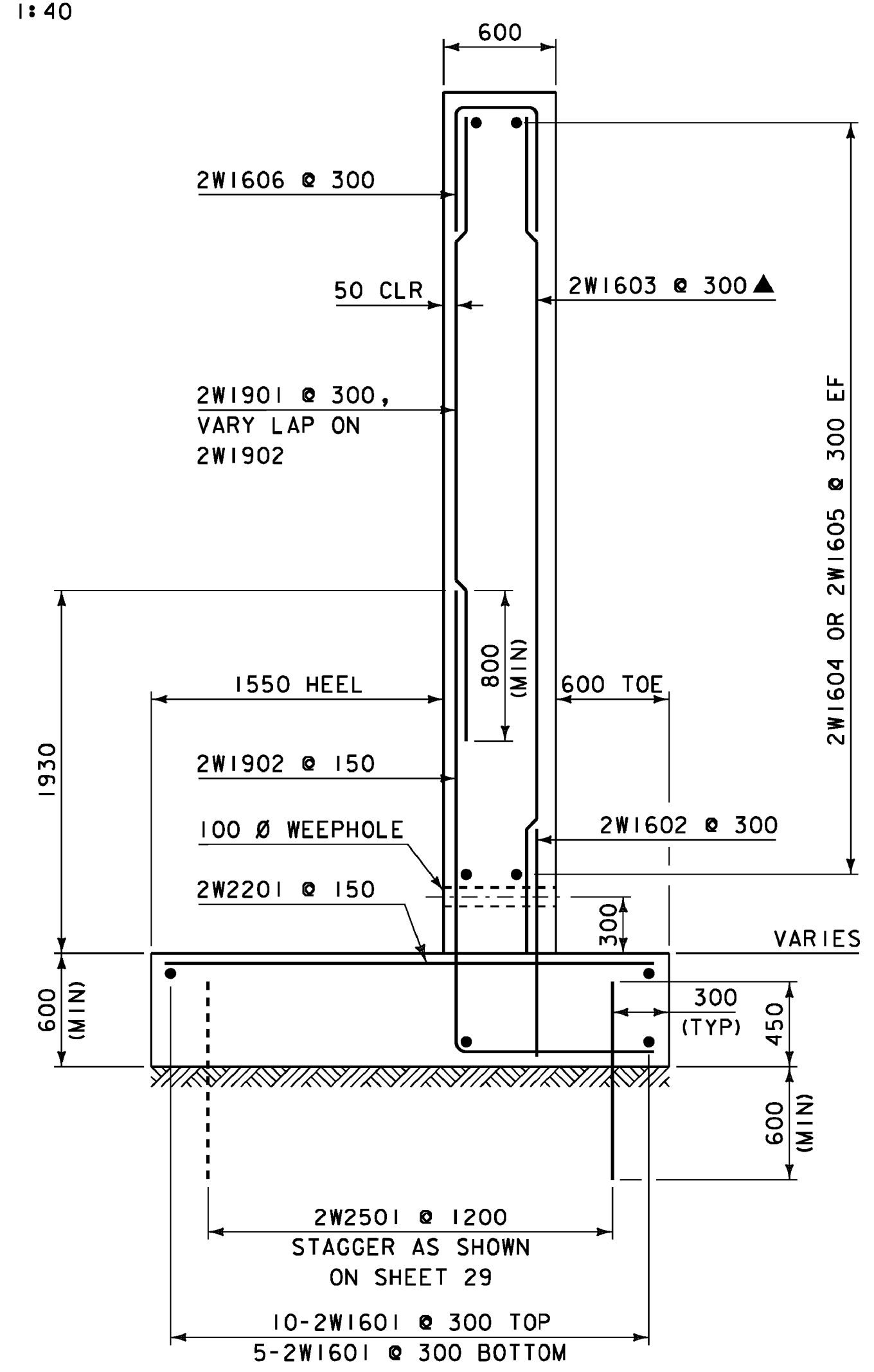


WINGWALL 2 ELEVATION VIEW
SCALE 1:40

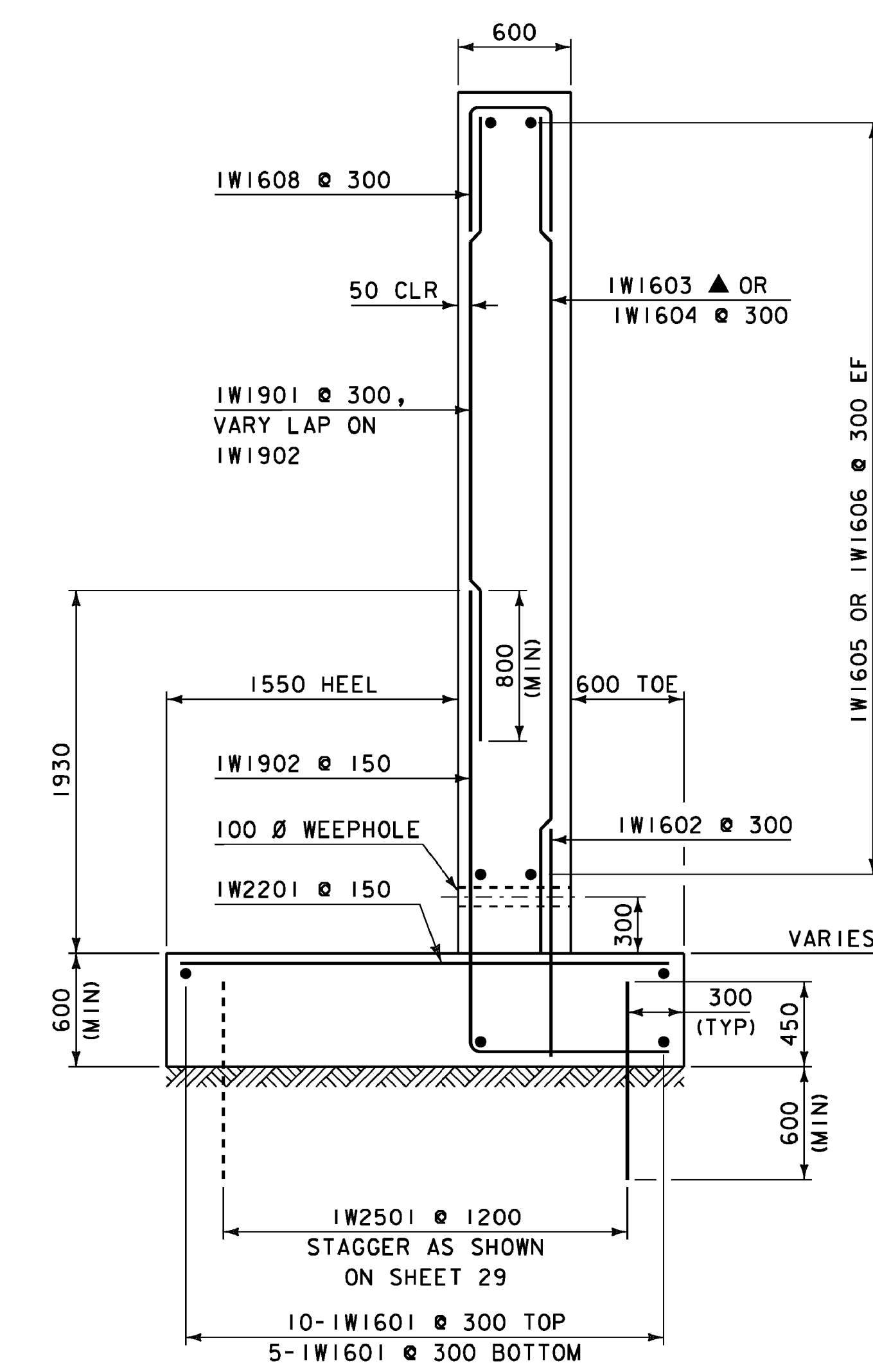


WINGWALL 1 ELEVATION VIEW
SCALE 1:40

* 10 EXTRA 2501 BARS INCLUDED FOR USE IN SUBFOOTING



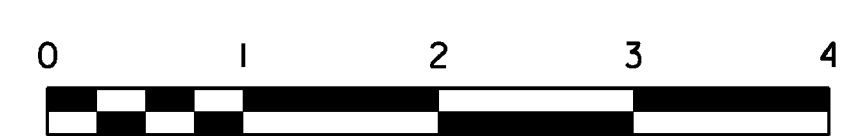
WINGWALL 2 TYPICAL SECTION
SCALE 1:30



WINGWALL 1 TYPICAL SECTION
SCALE 1:30



SCALE = 1:30



SCALE = 1:40

NOTE:
NF = NEAR FACE
FF = FAR FACE
EF = EACH FACE
▲ = CUT TO FIT IN FIELD

80 CLR. UNLESS OTHERWISE SPECIFIED ON THE PLANS

660 LAP MIN. UNLESS OTHERWISE SPECIFIED ON THE PLANS

REV. NO.	DATE	BY	DESCRIPTION
△	2/18/2011	VAOT	MODIFIED ELEVATION OF WINGWALL.

PROJECT: EAST MONTEPELIER	PROJECT NO. # BRF 037-2 (8)
DESIGN FILE NAME: 86e054\Structures\SidewalkChange\Abutment.dgn	PLOT DATE: 23-FEB-2011
IPARM FILE NAME: se054ww1x2.i	DRAWN BY: D.D.BEARD
DESIGNED BY: L.J.STONE	CHECKED BY: H.I.SALLS
SQUAD LEADER: C.P.WILLIAMS	SHEET: 33A OF 63
WINGWALLS 1 & 2 DETAILS	