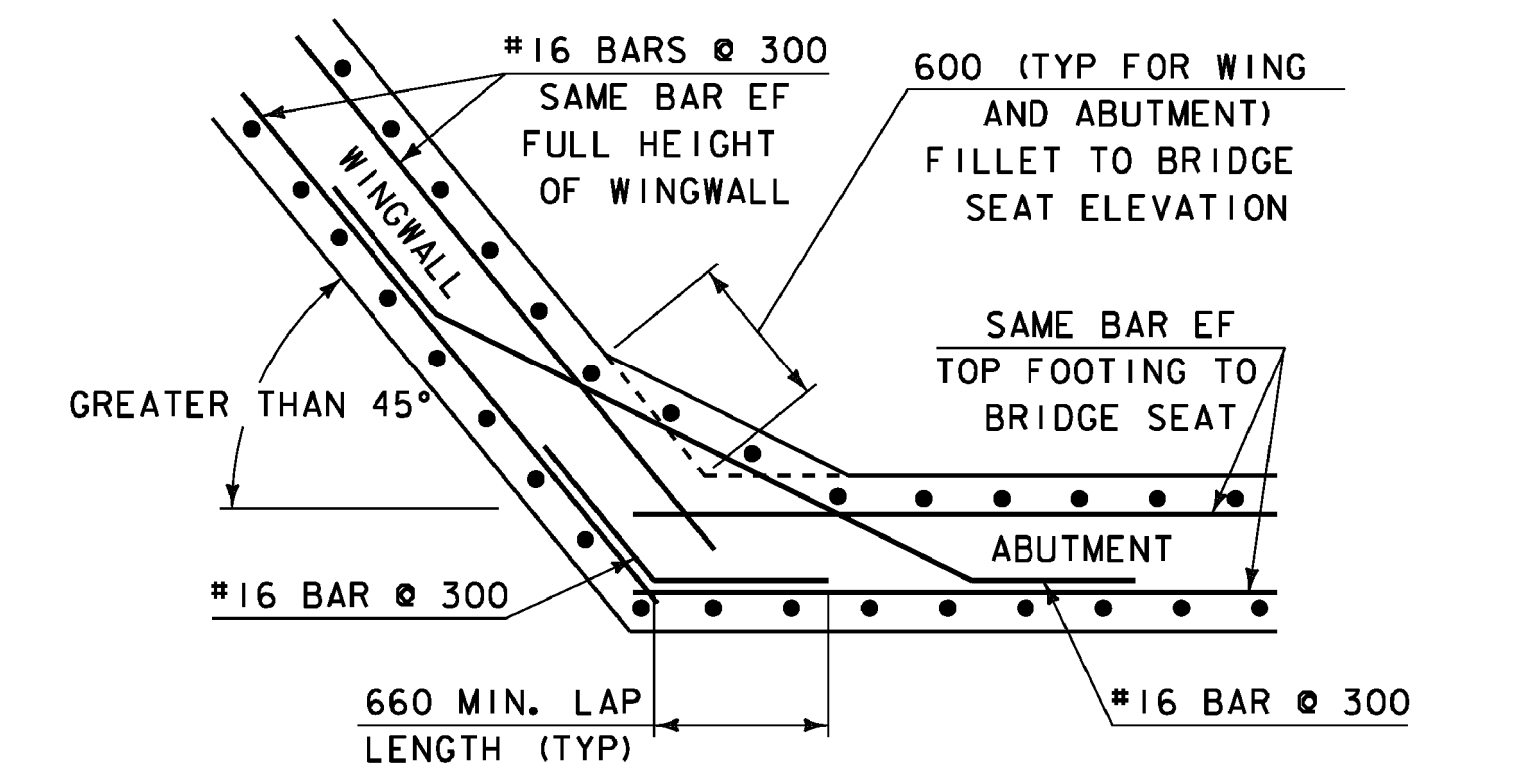
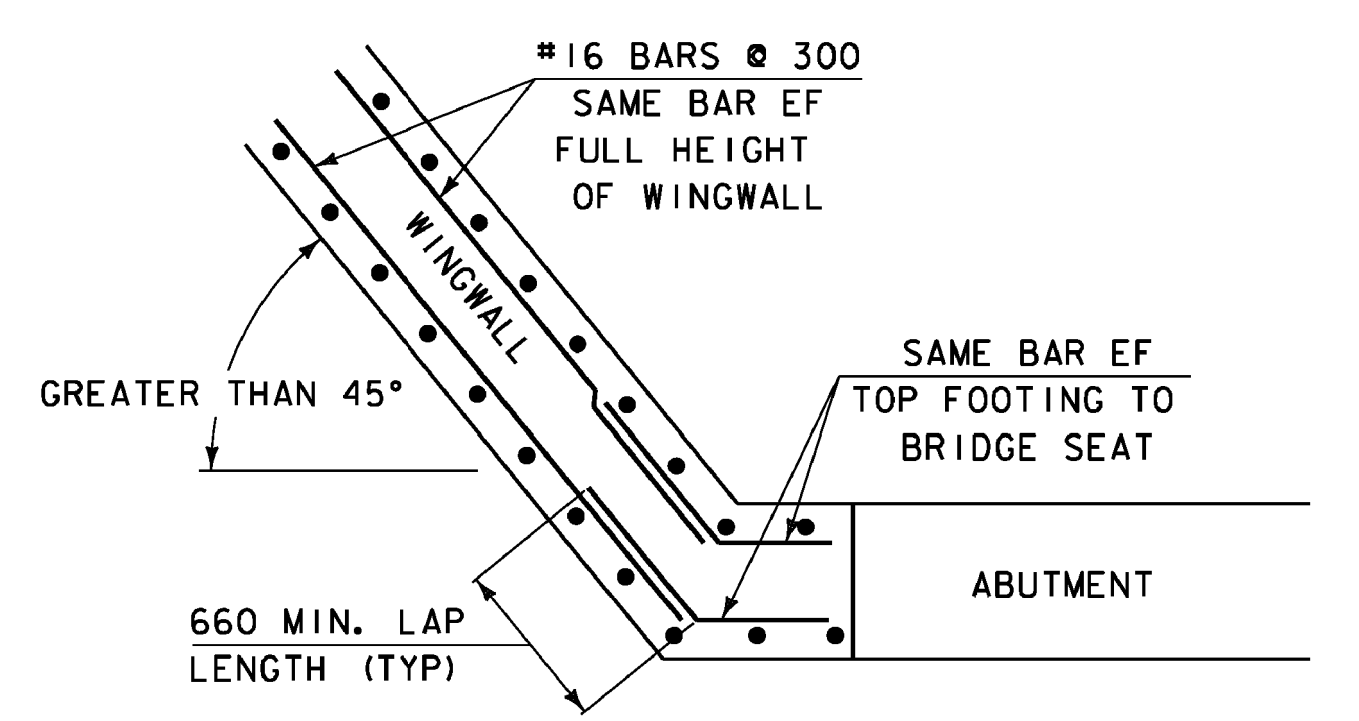


**ABUTMENT #2 PLAN VIEW**

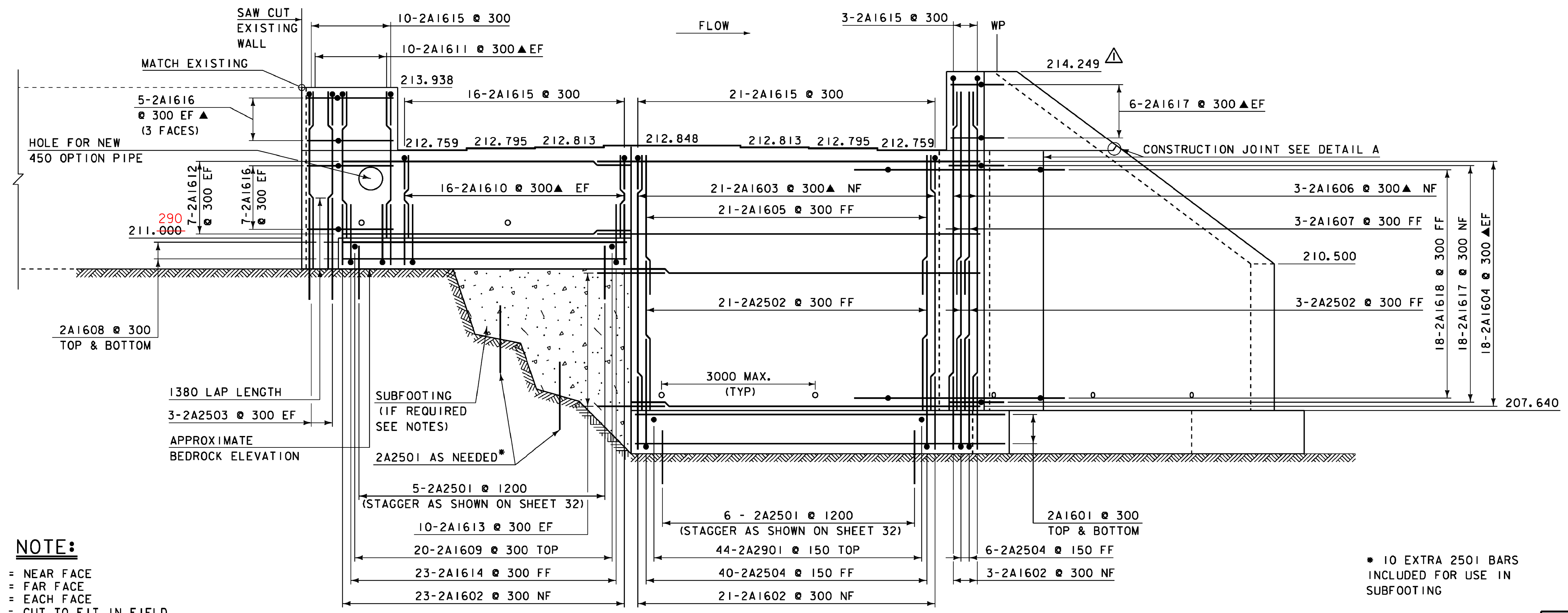
SCALE 1:50



**WINGWALL CORNER DETAIL FOR GREATER THAN 45° BELOW BRIDGESEAT (TYP)**

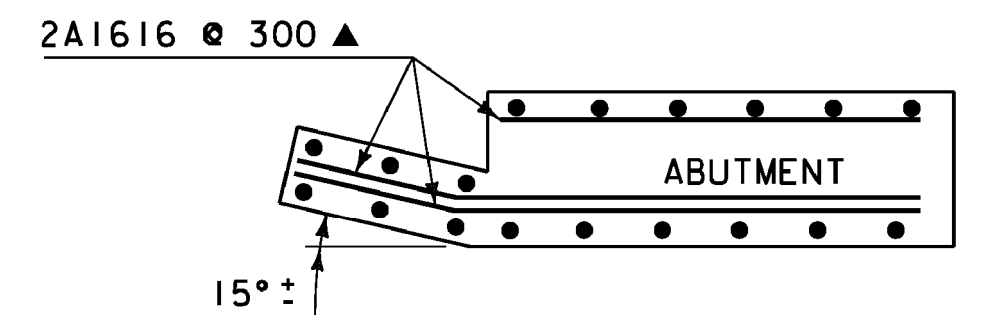


**WINGWALL CORNER DETAIL FOR GREATER THAN 45° ABOVE BRIDGESEAT (TYP)**

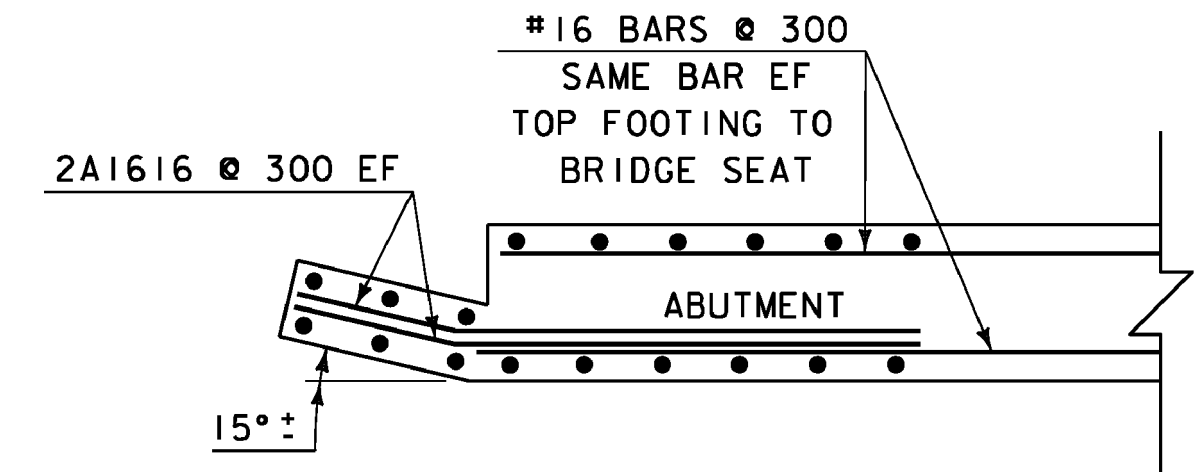


**ABUTMENT #2 ELEVATION**

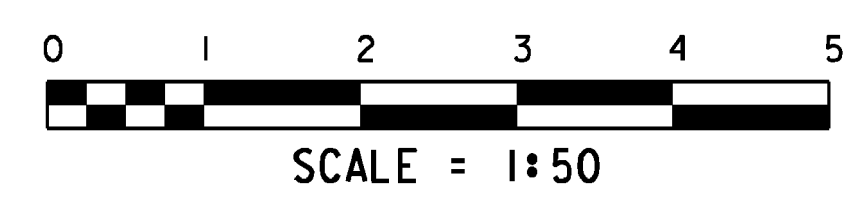
SCALE 1:50



**CORNER DETAIL FOR WINGWALL #3 ABOVE BRIDGE SEAT**



**CORNER DETAIL FOR WINGWALL #3 BELOW BRIDGE SEAT**



**NOTE:**  
 NF = NEAR FACE  
 FF = FAR FACE  
 EF = EACH FACE  
 ▲ = CUT TO FIT IN FIELD

80 CLR. UNLESS OTHERWISE SPECIFIED ON THE PLANS.

ALL LAPS ARE 660 MIN UNLESS OTHERWISE SPECIFIED ON THE PLANS.

REV. NO.	DATE	BY	DESCRIPTION
1	2/18/2011	VAOT	MODIFIED ELEVATION OF WINGWALL.

PROJECT: <b>EAST MONTEPELIER</b>	PROJECT NO.: <b>BRF 037-2 (8)</b>
DESIGN FILE NAME: 86e054S\structures\SideWallChange\Abutment.dgn	PLOT DATE: 23-FEB-2011
IPARM FILE NAME: se054abu2.i	DRAWN BY: D.D. BEARD
DESIGNED BY: L.J. STONE	CHECKED BY: H.I. SALLS
SQUAD LEADER: C.P. WILLIAMS	SHEET: 30A OF 63
ABUTMENT 2 DETAILS	