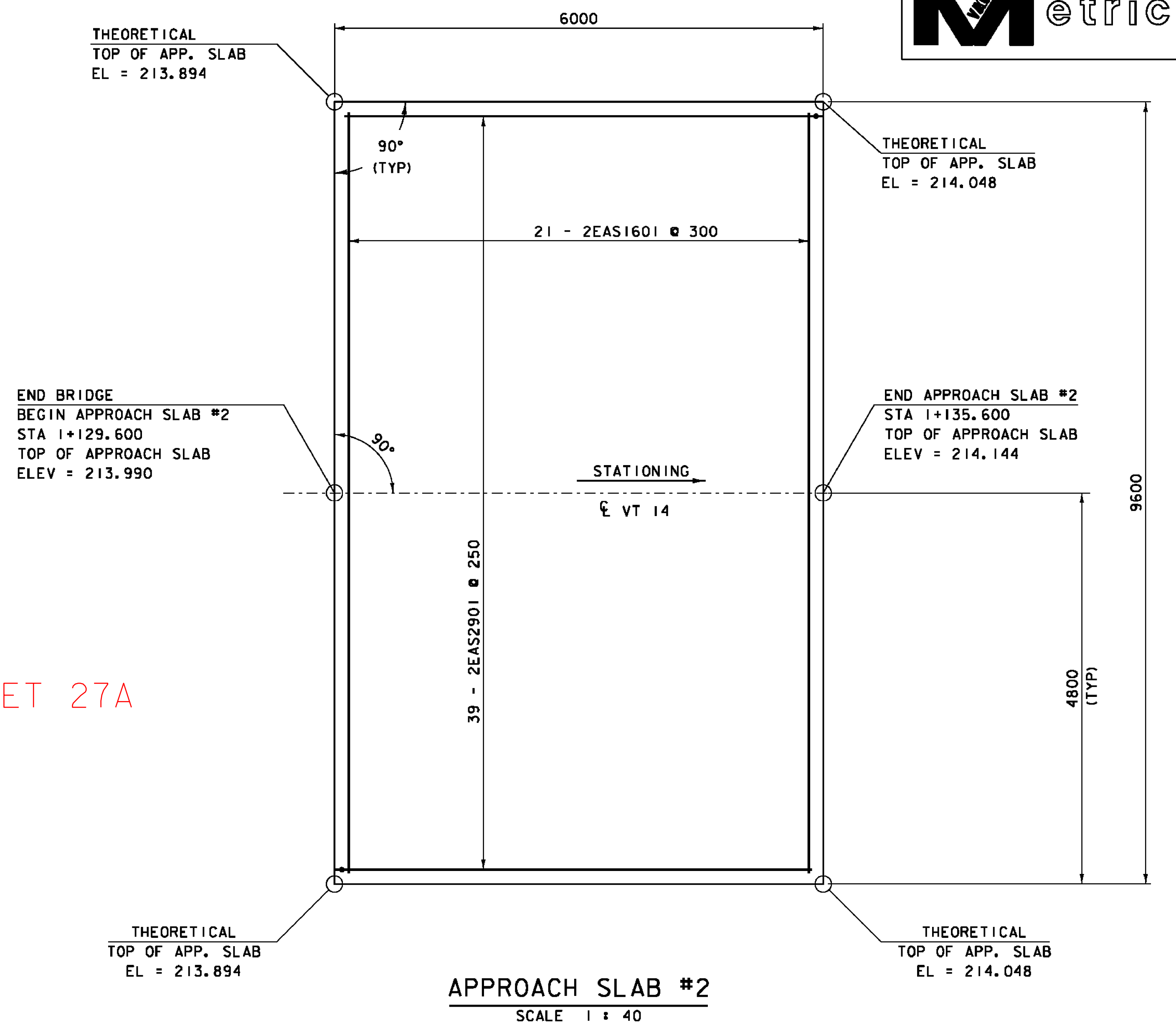
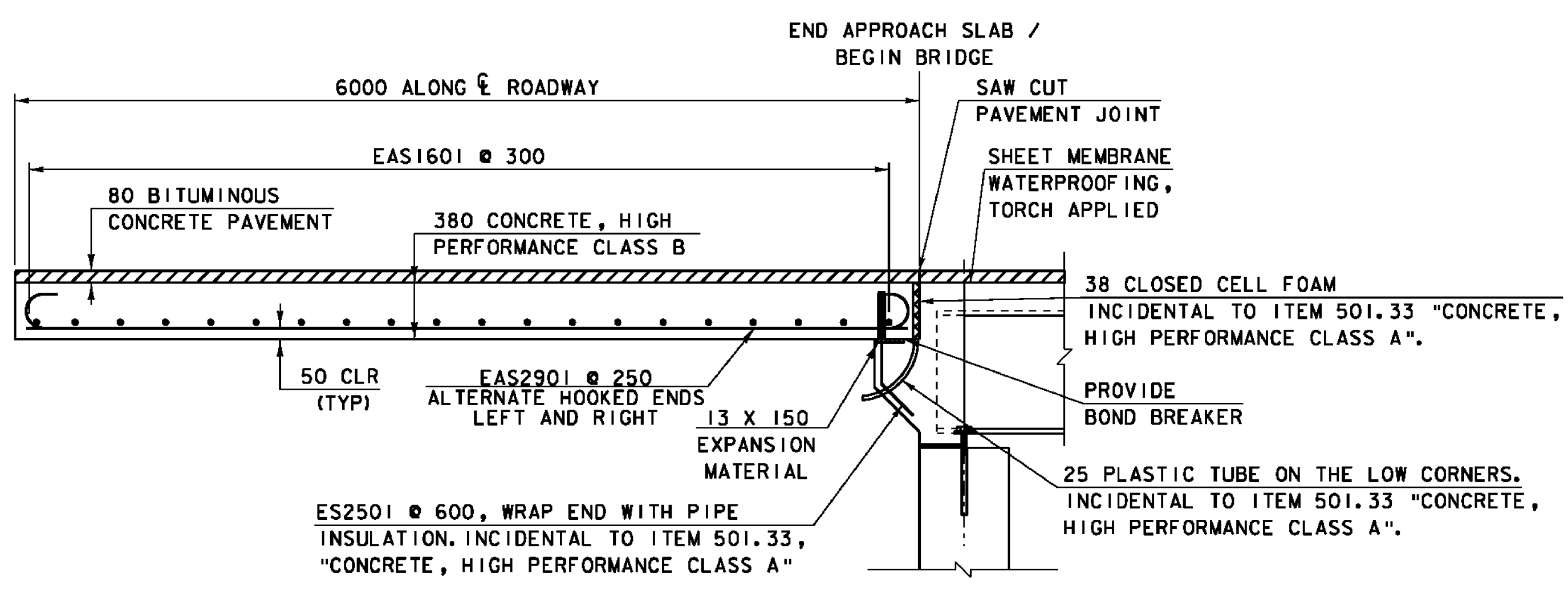


**APPROACH SLAB #1**  
SCALE 1 : 40

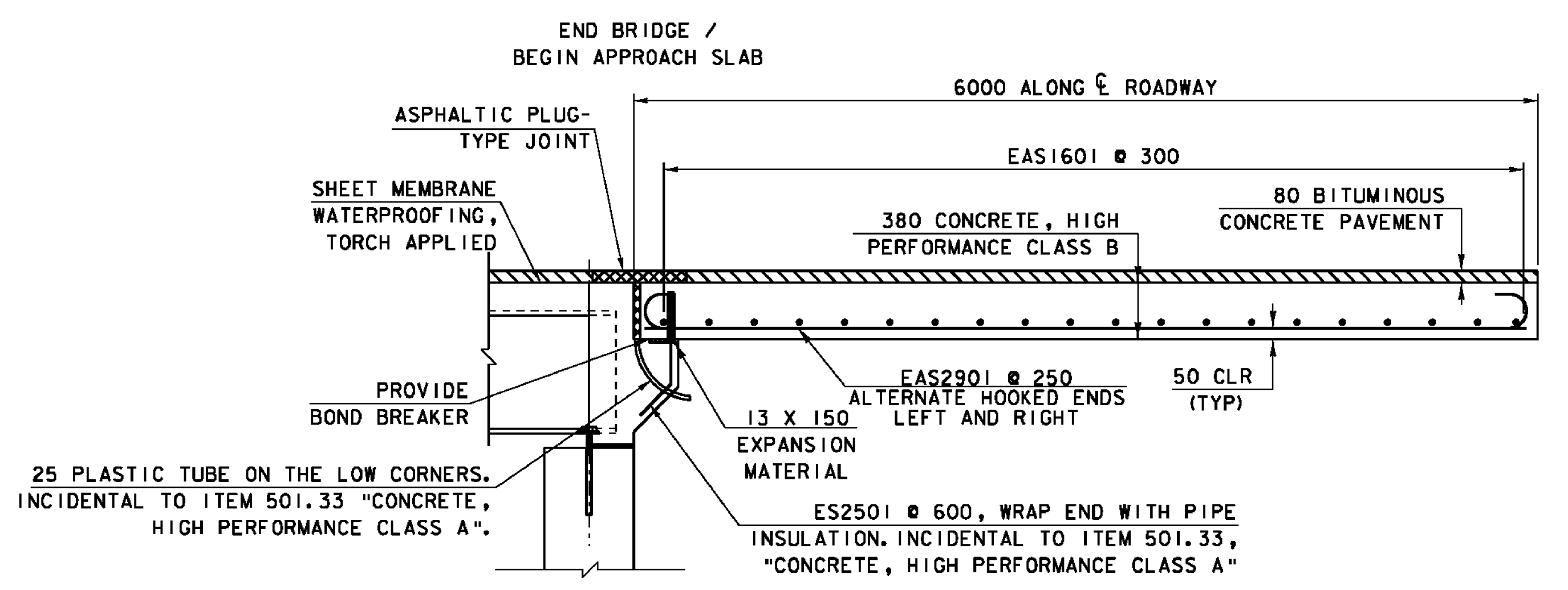


**APPROACH SLAB #2**  
SCALE 1 : 40

SEE REVISED SHEET 27A

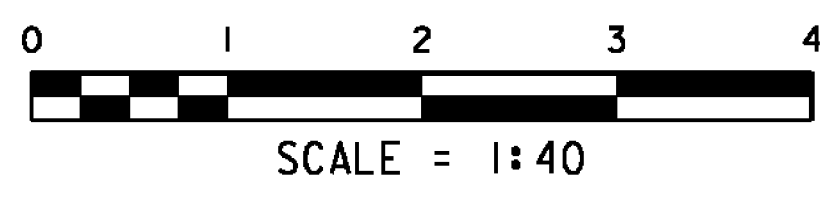


**APPROACH SLAB ABUTMENT #1**  
NTS



**APPROACH SLAB ABUTMENT #2**  
NTS

**NOTES:**  
 NF = NEAR FACE  
 FF = FAR FACE  
 EF = EACH FACE  
 ▲ = CUT TO FIT IN FIELD  
 80 CLEAR UNLESS OTHERWISE SPECIFIED ON THE PLANS  
 ALL LAPS 660 UNLESS OTHERWISE NOTED.  
 ALL REINFORCING STEEL SHALL BE EPOXY COATED.



PROJECT: <b>EAST MONTEPELIER</b>	PROJECT NO. # <b>BRF 037-2 (8)</b>
DESIGN FILE NAME: 86e054\structures\se054sup	PLOT DATE: 18-AUG-2010
IPARM FILE NAME: se054aps2.i	DRAWN BY: L. J. STONE
DESIGNED BY: L. J. STONE	CHECKED BY: H. I. SALLS
SQUAD LEADER: C. P. WILLIAMS	SHEET: 27 OF 63
APPROACH SLAB DETAILS SHEET	