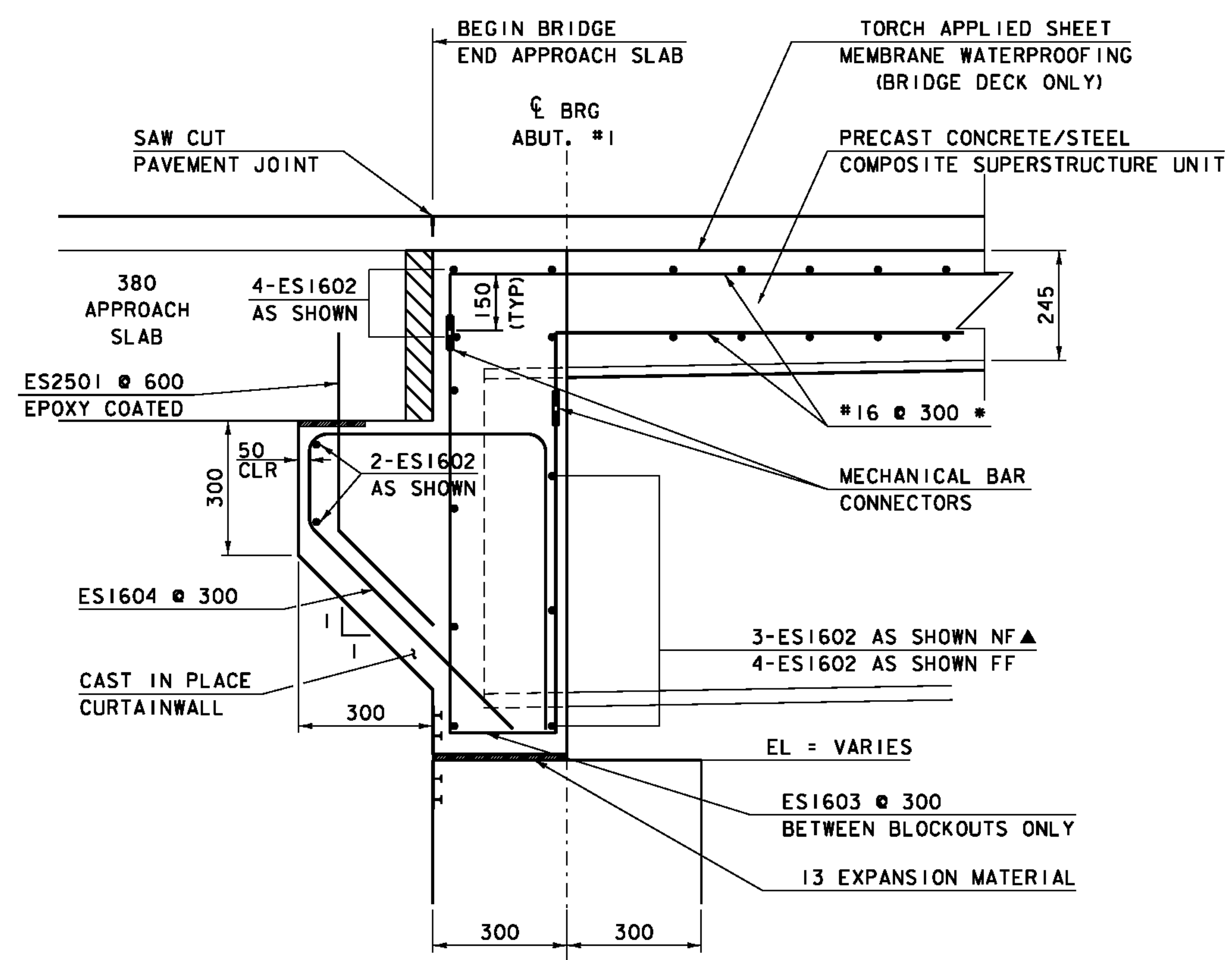
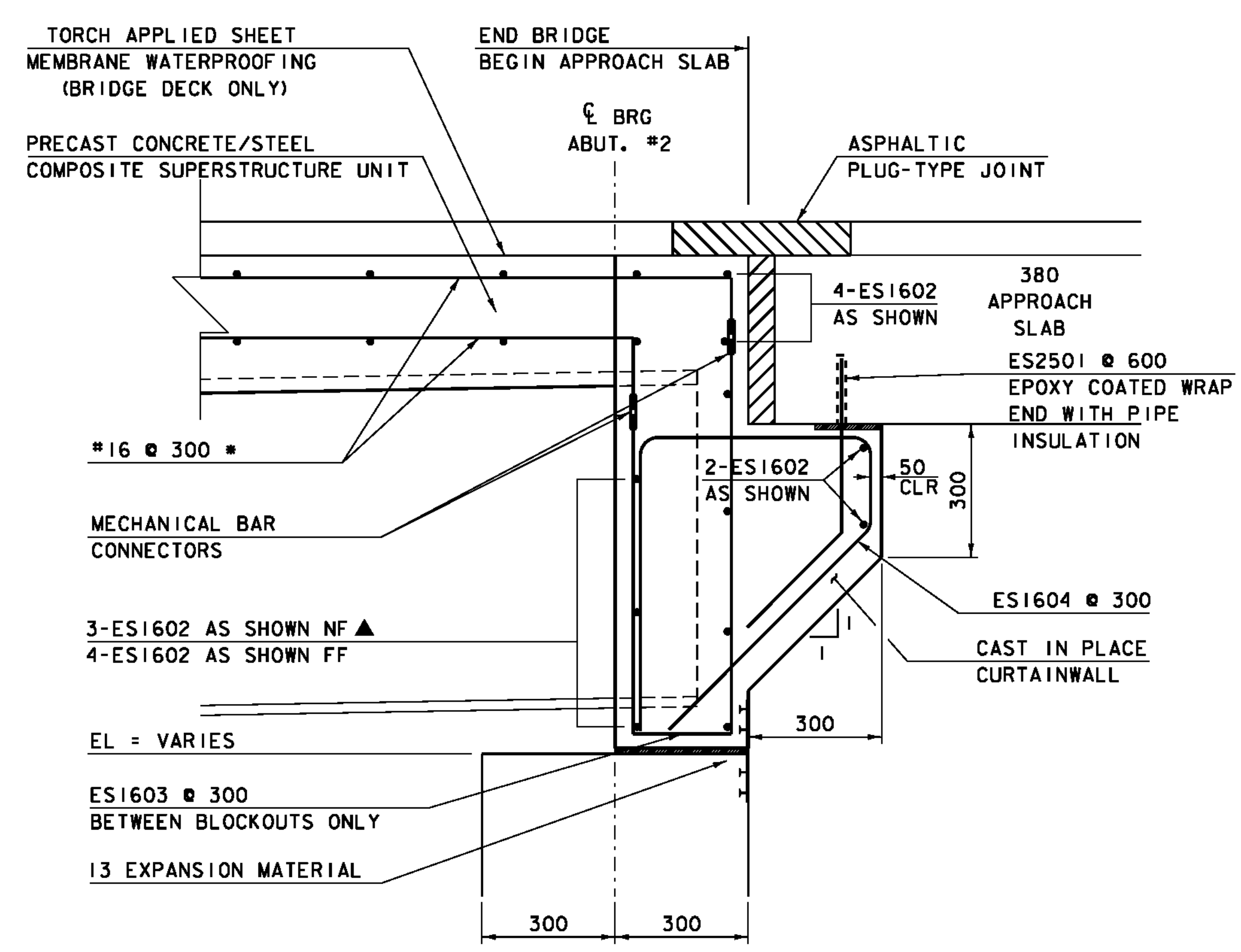


BACKWALL TYPICAL SECTION
NOT TO SCALE



ABUTMENT #1 BRIDGE END SECTION
NOT TO SCALE



ABUTMENT #2 BRIDGE END SECTION
NOT TO SCALE

* SHALL BE INCIDENTAL TO ITEM 900.675
"SPECIAL PROVISION (PRECAST
CONCRETE/STEEL COMPOSITE SUPERSTRUCTURE) "

NOTE:
NF = NEAR FACE
FF = FAR FACE
EF = EACH FACE
▲ = CUT TO FIT IN FIELD
80 CLR. UNLESS OTHERWISE
SPECIFIED ON THE PLANS
660 LAP MIN. UNLESS
OTHERWISE SPECIFIED
ON THE PLANS

PROJECT: EAST MONTPELIER	PROJECT NO. # BRF 037-2 (8)
DESIGN FILE NAME: 86e054\Structures\se054sup	PLOT DATE: 18-AUG-2010
IPARM FILE NAME: se054cur.t.i	DRAWN BY: L. J. STONE
DESIGNED BY: L. J. STONE	CHECKED BY: H. I. SALLS
SQUAD LEADER: C. P. WILLIAMS	SHEET: 25 OF 63
CURTAINWALL DETAILS	