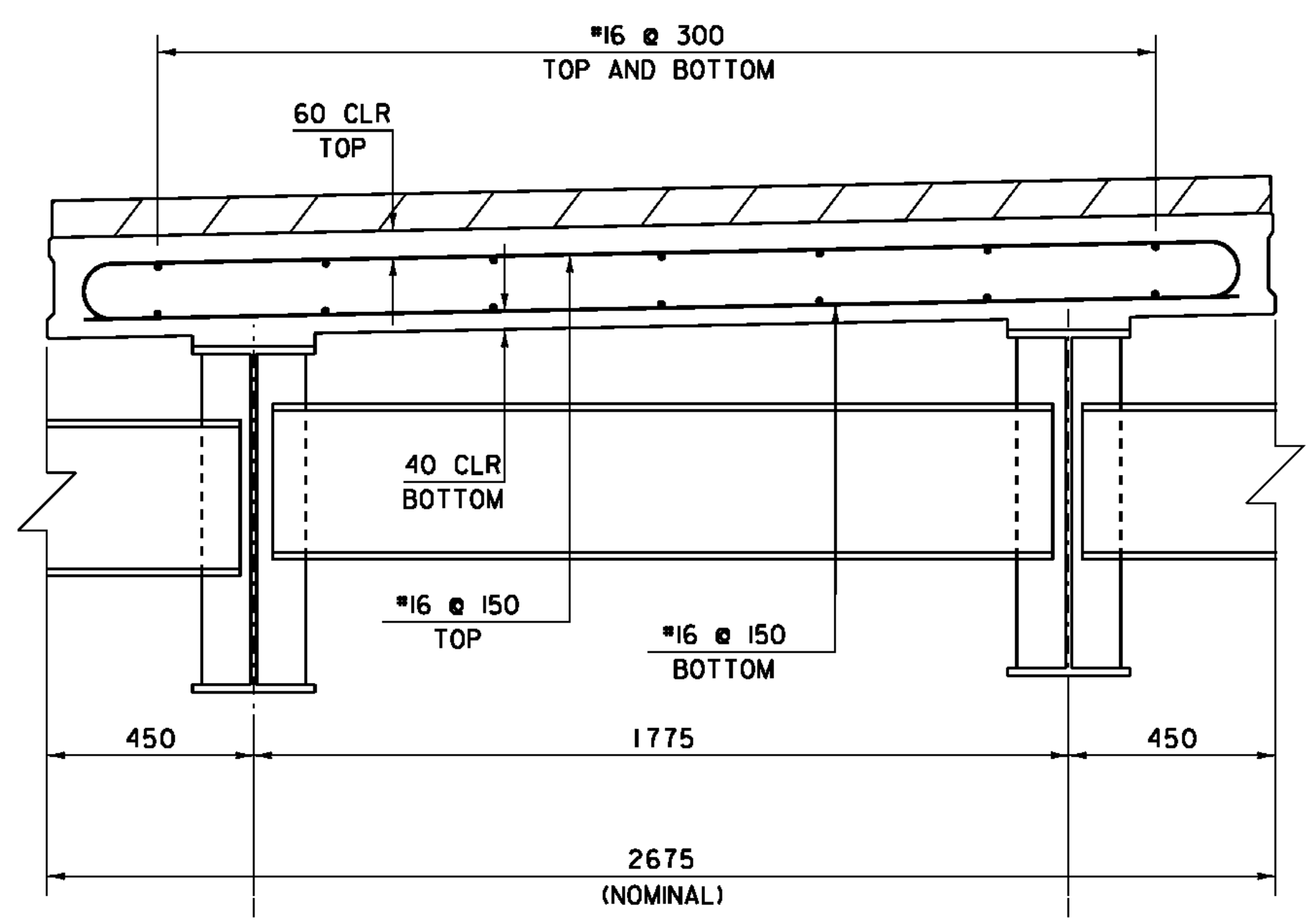


**FLARED END FOR 600 CURB**

BARS SHALL BE TURNED AS REQUIRED TO FIT FLARED ENDS (NOT TO SCALE)

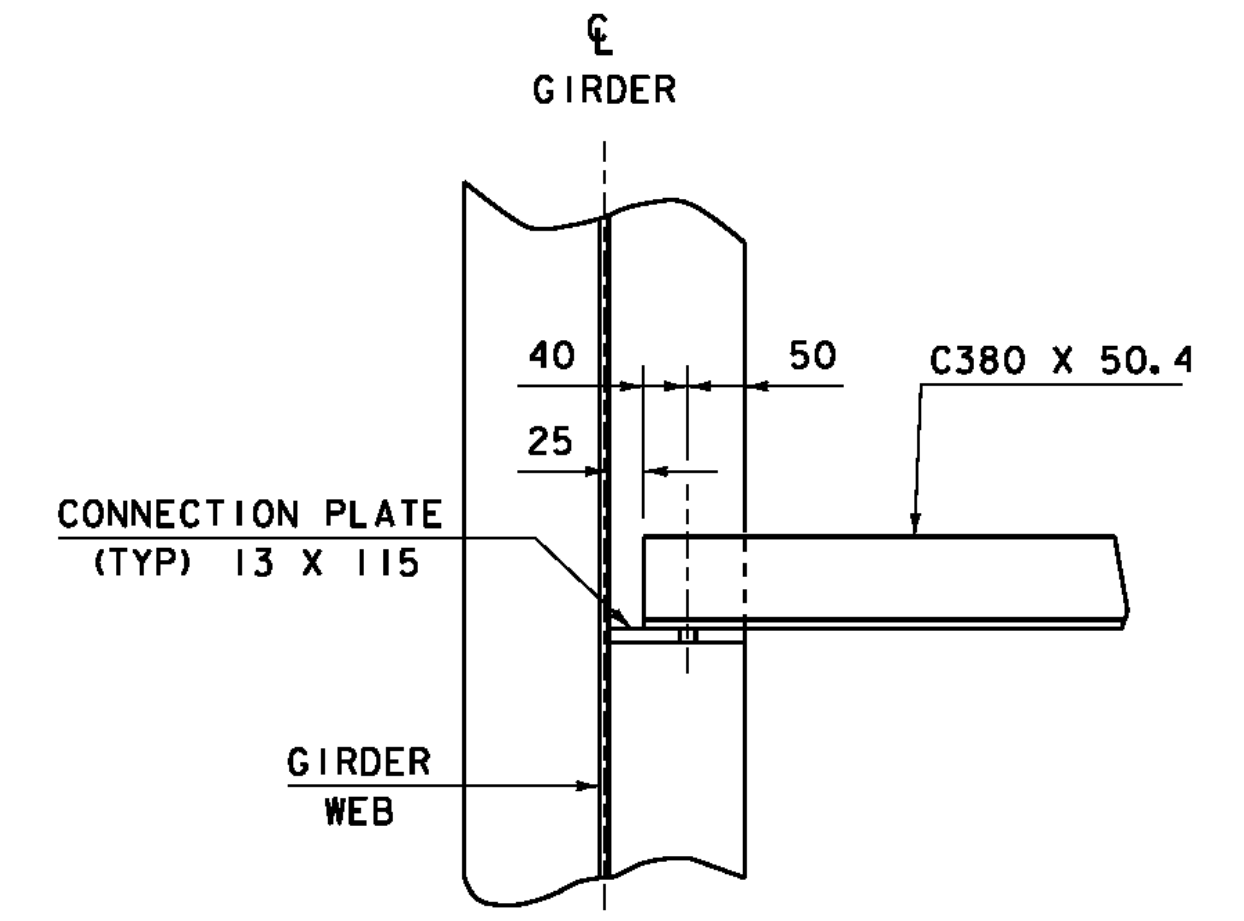


**TYPICAL PRECAST BRIDGE UNIT SECTION**

SCALE = 1:200

**CONCRETE CURB JOINT NOTES**

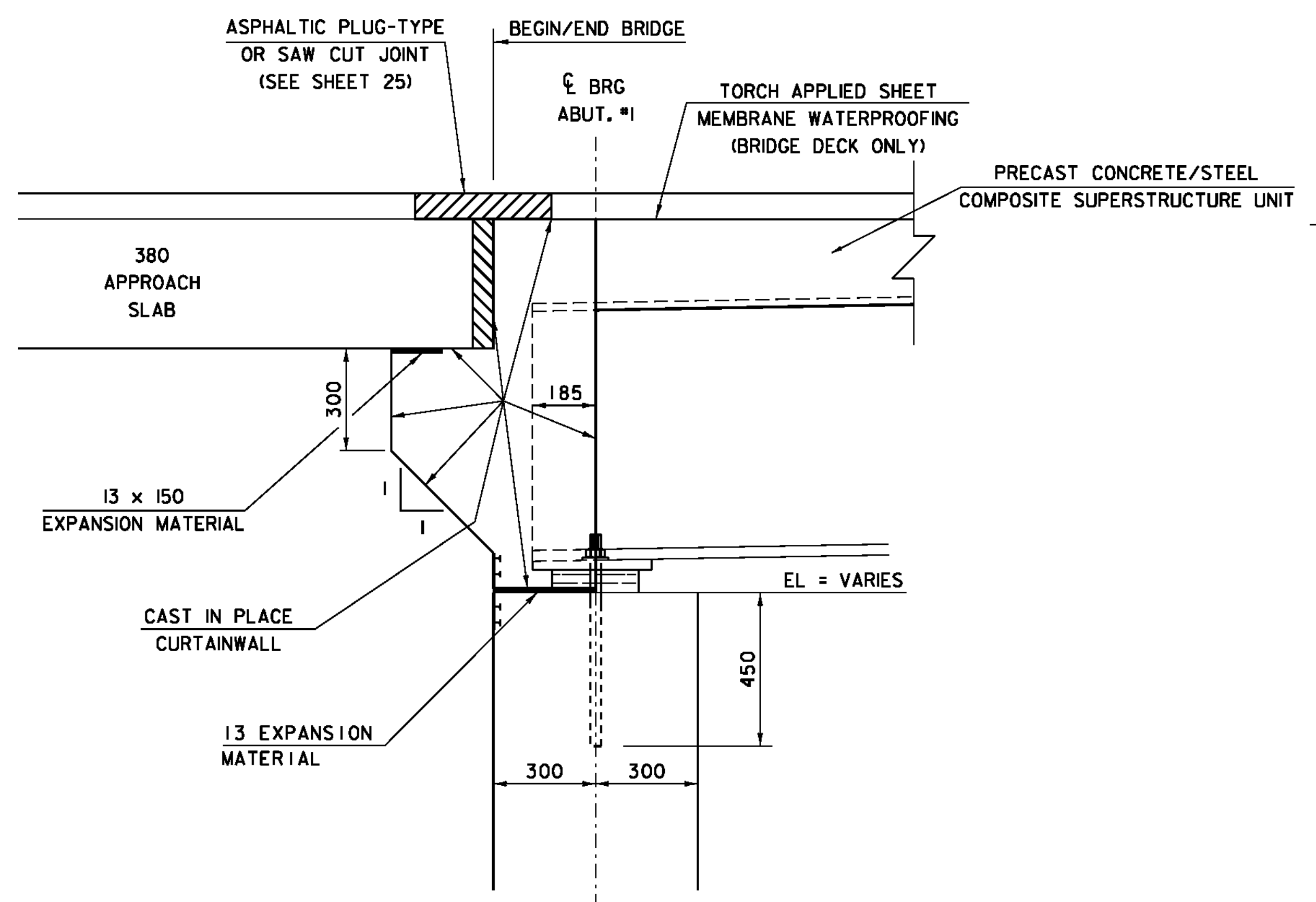
1. CONCRETE CURBS MAY BE PLACED IN ONE CONTINUOUS OPERATION IF AN APPROVED SHRINKAGE REDUCING ADMIXTURE LISTED IN THE SPECIAL PROVISIONS IS USED WITH THE CONCRETE MIX DESIGN. PAYMENT FOR THE SHRINKAGE REDUCING ADMIXTURE WILL BE INCIDENTAL TO THE BRIDGE CURB CONCRETE ITEM.
2. IF THE CONTRACTOR CHOOSES NOT TO USE AN APPROVED SHRINKAGE REDUCING ADMIXTURE, THE CURBS SHALL BE CONSTRUCTED WITH CONSTRUCTION JOINTS SPACED AT A MAXIMUM OF 4570 CENTER TO CENTER AND 610 MINIMUM FROM THE CENTER OF NEAREST BRIDGE RAILING POST.
3. ON MULTI-SPAN CONTINUOUS SUPERSTRUCTURES, REGARDLESS OF WHETHER APPROVED SHRINKAGE REDUCING ADMIXTURE IS USED, CURB JOINTS SHALL BE LOCATED OVER THE CENTERLINE OF PIERS AND 2135 EACH SIDE OF THE CENTERLINE OF EACH PIER.
4. WHEN CURB JOINTS ARE USED THE CURBS SHALL BE PLACED IN ALTERNATE SECTIONS WITH A MINIMUM OF 48 HOUR DELAY BETWEEN ADJACENT PLACEMENTS.
5. LONGITUDINAL REINFORCING SHALL BE CONTINUOUS THROUGH CURB CONSTRUCTION JOINTS. CURB STIRRUP BARS SHALL BE TURNED AS NECESSARY TO MAINTAIN COVER IN THE FLARED CURB ENDS.
6. THE JOINT SPACING AND DETAILS SHOWN SHALL APPLY TO SIDEWALKS WHEN SHOWN IN THE PLANS.



ALL CONNECTIONS SHALL BE MADE USING 22 DIAMETER, AASHTO M164M BOLTS. ALL HOLES IN THE DIAPHRAGMS SHALL BE 24 DIAMETER, ALL HOLES IN THE CONNECTION PLATES SHALL BE 24 DIAMETER.

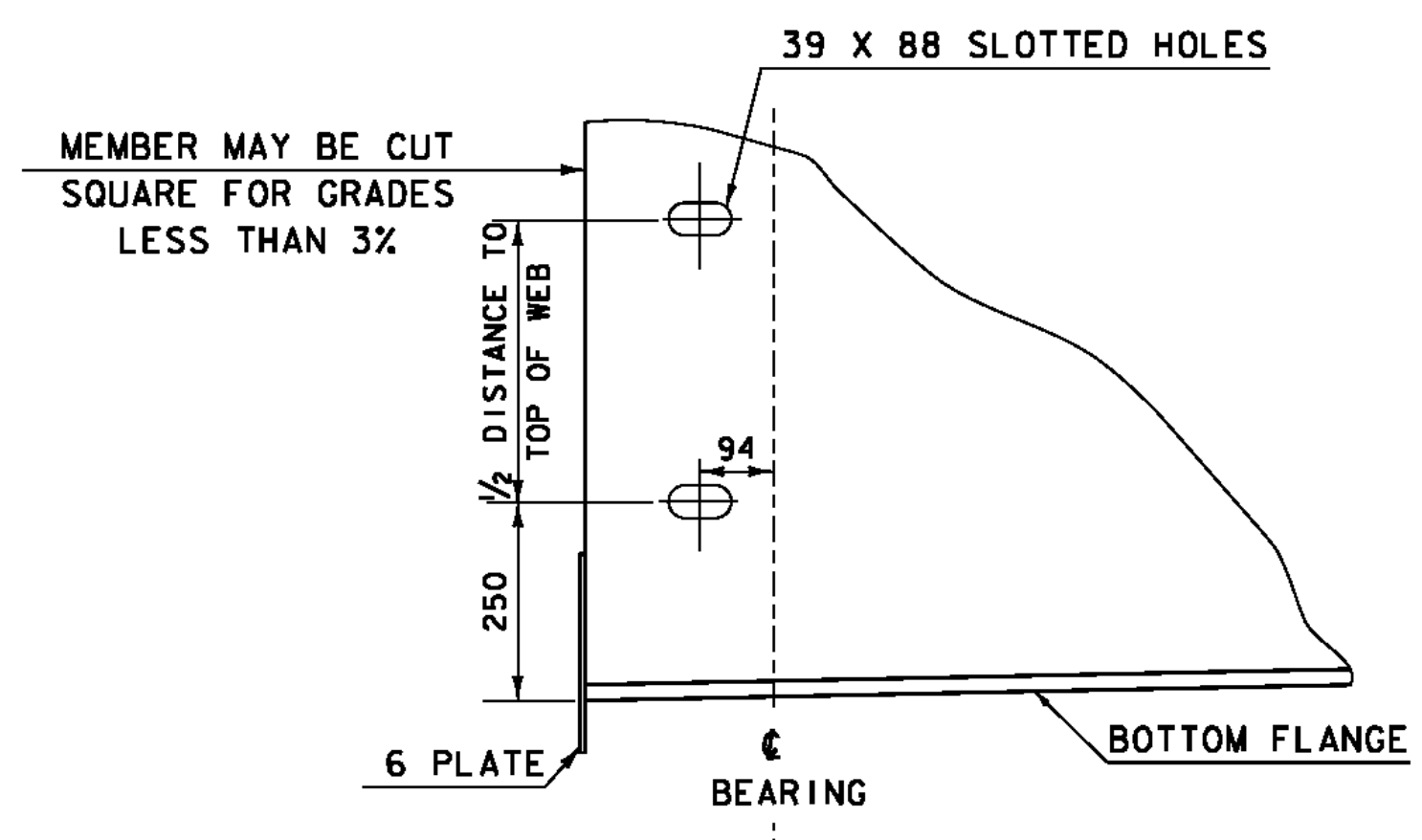
**SECTION B - B**

(NOT TO SCALE)



**TYPICAL BRIDGE END SECTION**

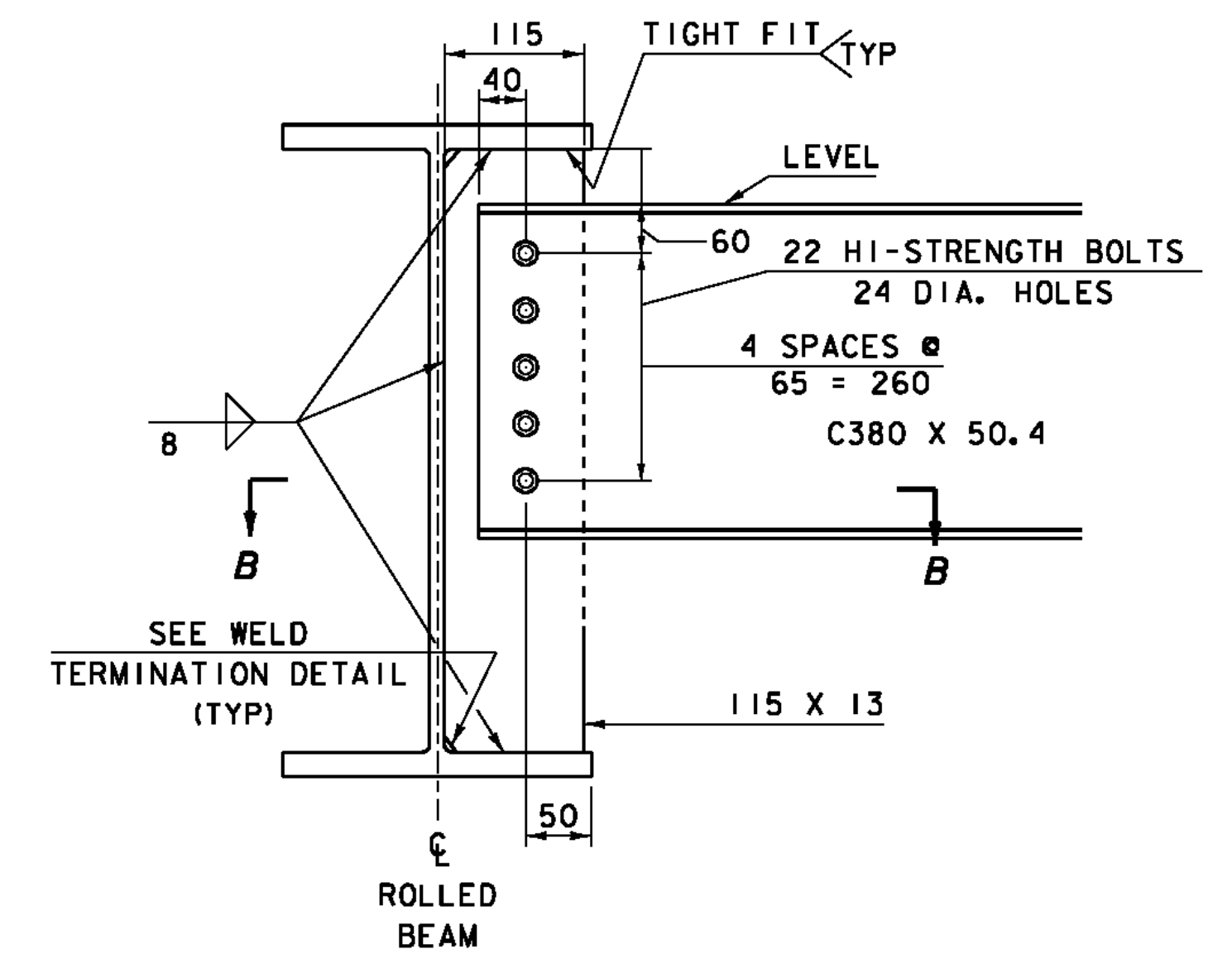
SCALE = 1:200



**ELEVATION VIEW END OF STEEL MEMBER AT ABUTMENT**

(NOT TO SCALE)

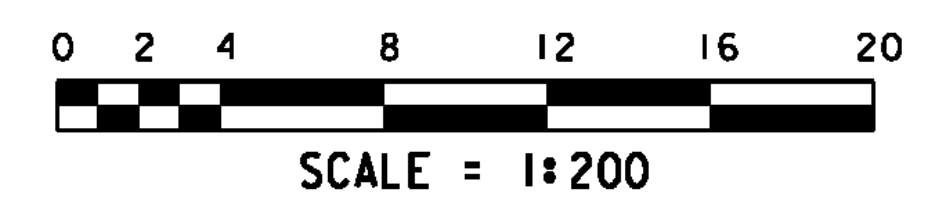
SLOTTED HOLES ARE FOR HORIZONTAL REINFORCING BARS IN FRONT FACE OF CURTAIN WALL.



NOTE: HI-STRENGTH BOLTS, NUTS AND WASHERS SHALL CONFORM TO AASHTO M164M.

**INTERMEDIATE DIAPHRAGMS**

(NOT TO SCALE)



PROJECT: EAST MONTPELIER	PROJECT NO. # BRF 037-2 (8)
-----------------------------	--------------------------------

DESIGN FILE NAME: 86e054\Structures\se054sup	PLOT DATE: 18-AUG-2010
IPARM FILE NAME: se054aps. i	DRAWN BY: L. J. STONE
DESIGNED BY: L. J. STONE	CHECKED BY: H. I. SALLS
SQUAD LEADER: C. P. WILLIAMS	SHEET: 23 OF 63
SUPERSTRUCTURE DETAILS	