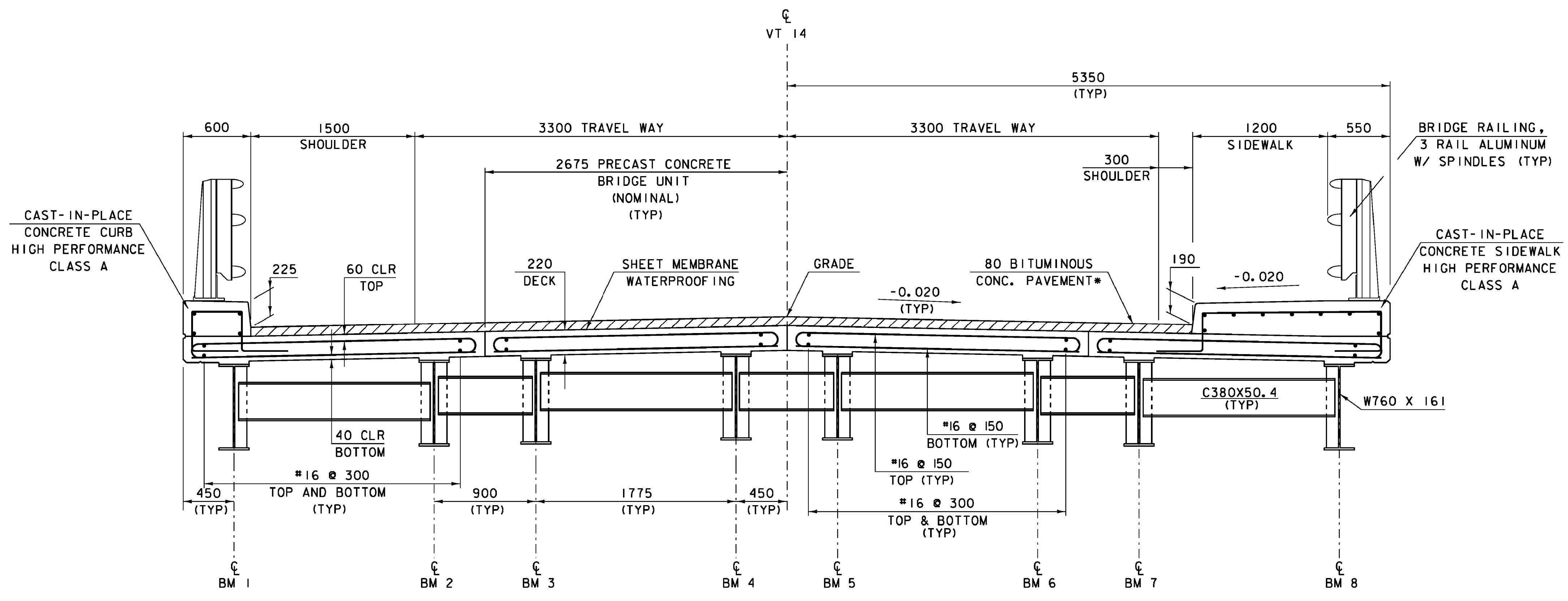


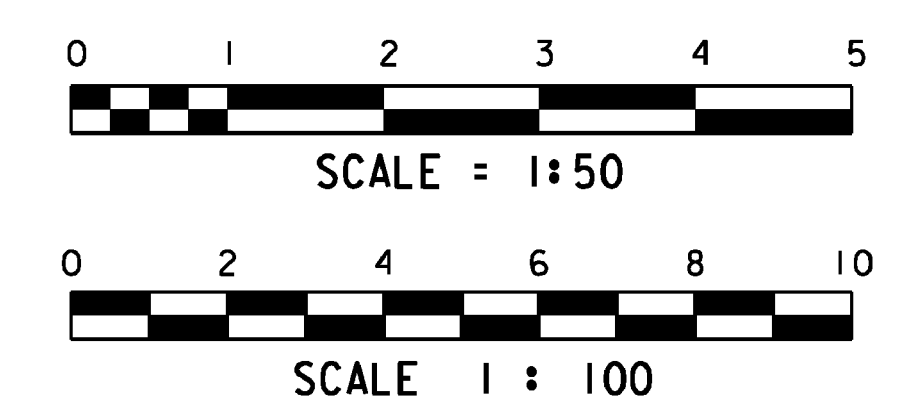
NOTE
1. THE #16 EPOXY COATED SIDEWALK BARS SHALL BE SUPPLIED BY THE MANUFACTURER OF THE PRECAST BRIDGE UNITS AND SHALL BE INCLUDED IN THE UNIT BID PRICE FOR ITEM 900.675 "SPECIAL PROVISION (PRECAST CONCRETE/STEEL COMPOSITE SUPERSTRUCTURE)".



NOTE:
NF = NEAR FACE
FF = FAR FACE
EF = EACH FACE
 \blacktriangle = CUT TO FIT IN FIELD
80 CLR. UNLESS OTHERWISE SPECIFIED ON THE PLANS
660 LAP MIN. UNLESS OTHERWISE SPECIFIED ON THE PLANS

REV. NO.	DATE	BY	DESCRIPTION
\blacktriangle	2/18/2011	VAOT	MODIFIED RIGHT CURB ON BRIDGE TO A SIDEWALK

* 40 mm Type IIIIS or IVS over
40 mm Type IIIIS or IVS



PROJECT: EAST MONTEPELIER	PROJECT NO. # BRF 037-2 (8)
DESIGN FILE NAME: 86e054S\structures\SidewalkChange\TypicalSection.dgn	PLOT DATE: 23-FEB-2011
IPARM FILE NAME: se054sidewalk.i	DRAWN BY: D. D. BEARD
DESIGNED BY: L. J. STONE	CHECKED BY: H. I. SALLS
SQUAD LEADER: C. P. WILLIAMS	SHEET: 22A OF 63
DECK STRUCTURAL DETAILS	