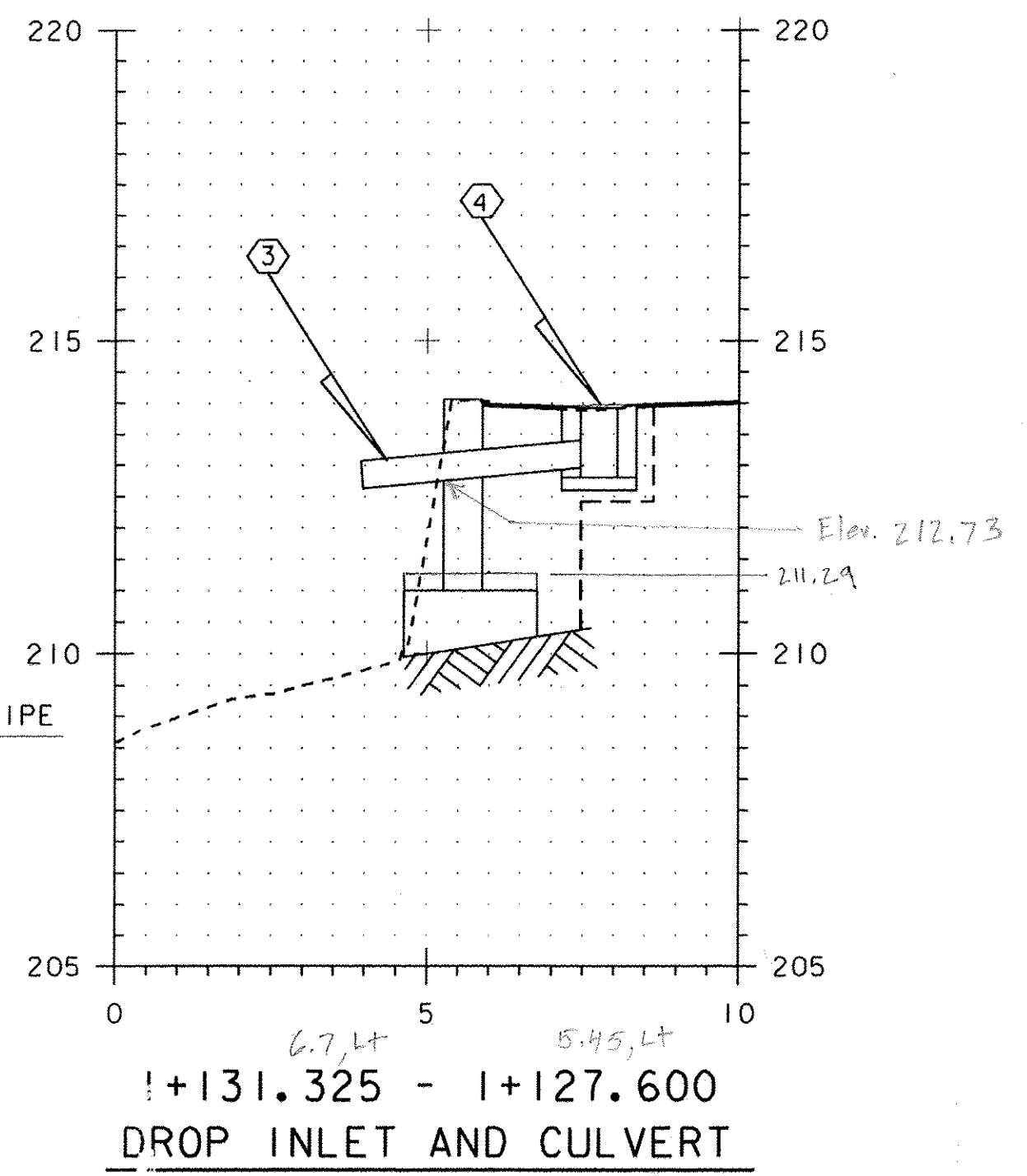


NEW 450 mm X 3500 mm OPTION PIPE
 INLET INVERT
 ELEVATION = 212.950
 OUTLET INVERT
 ELEVATION = 212.600
 0.350



F6 @ 1+131.325 = 214.116
 - 0.02 (6.7) = 213.982 ✓

$\frac{2.2}{3.5} (0.35) = .22$

211.95 ⇒ USE 0.950
 211.29
 .660

T.E. Depth = 213.982
 - 212.950
 + 0.150
 + 0.300
 + 0.300
 1.782 m



PROJECT: EAST MONTPELIER	PROJECT NO. : BRF 037-2(8)
DESIGN FILE NAME: 86e054/structures/se054xsl.dgn	PLOT DATE: 18-AUG-2010
IPARM FILE NAME: se054pipesec.i	
PIPE SECTIONS	SHEET: 15 OF 63