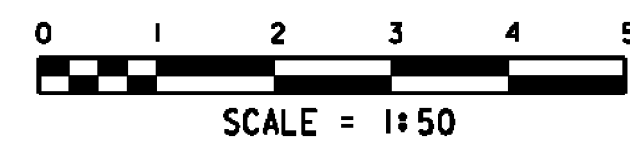


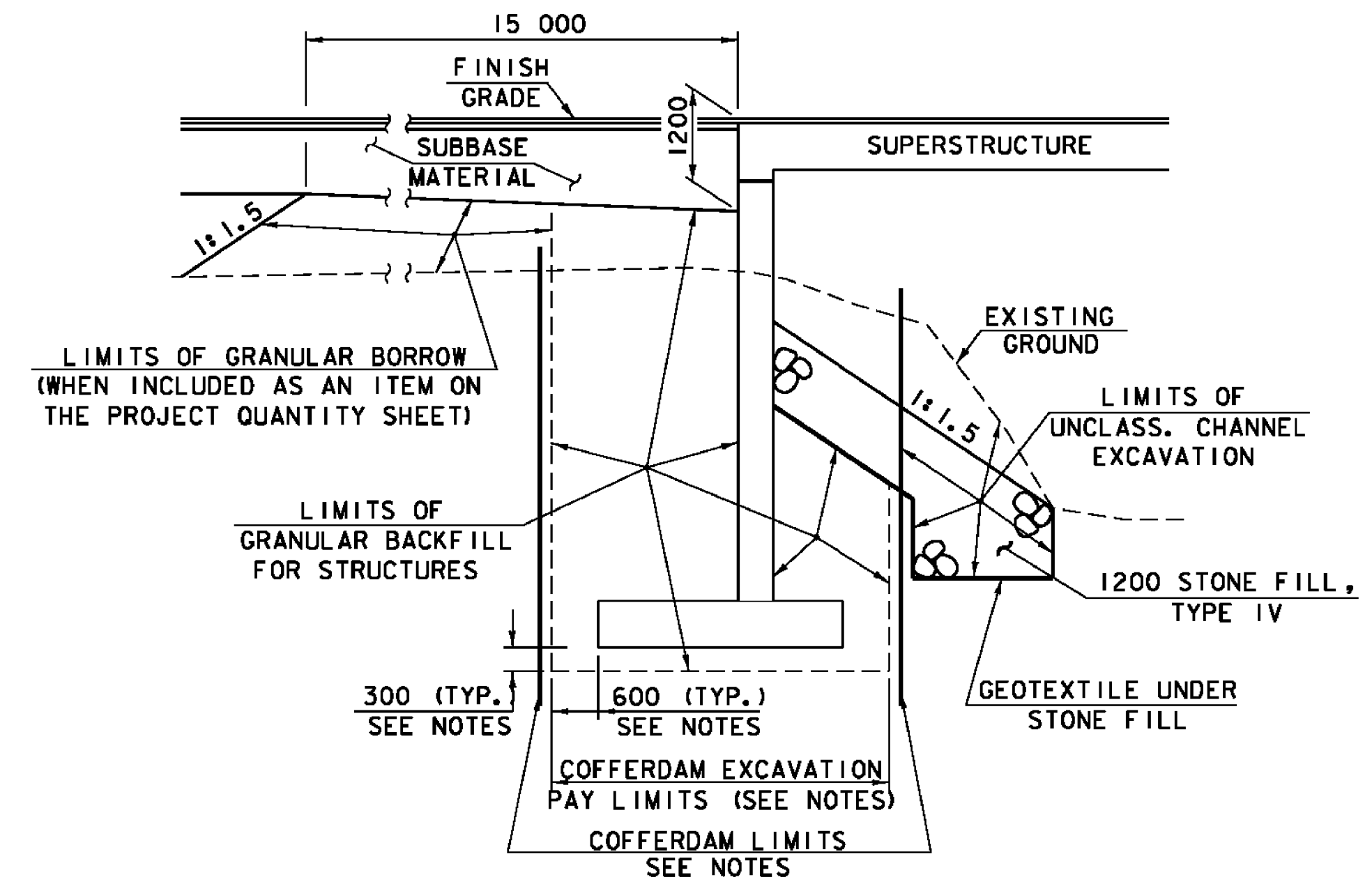
TYPICAL BRIDGE SECTION (PRECAST)



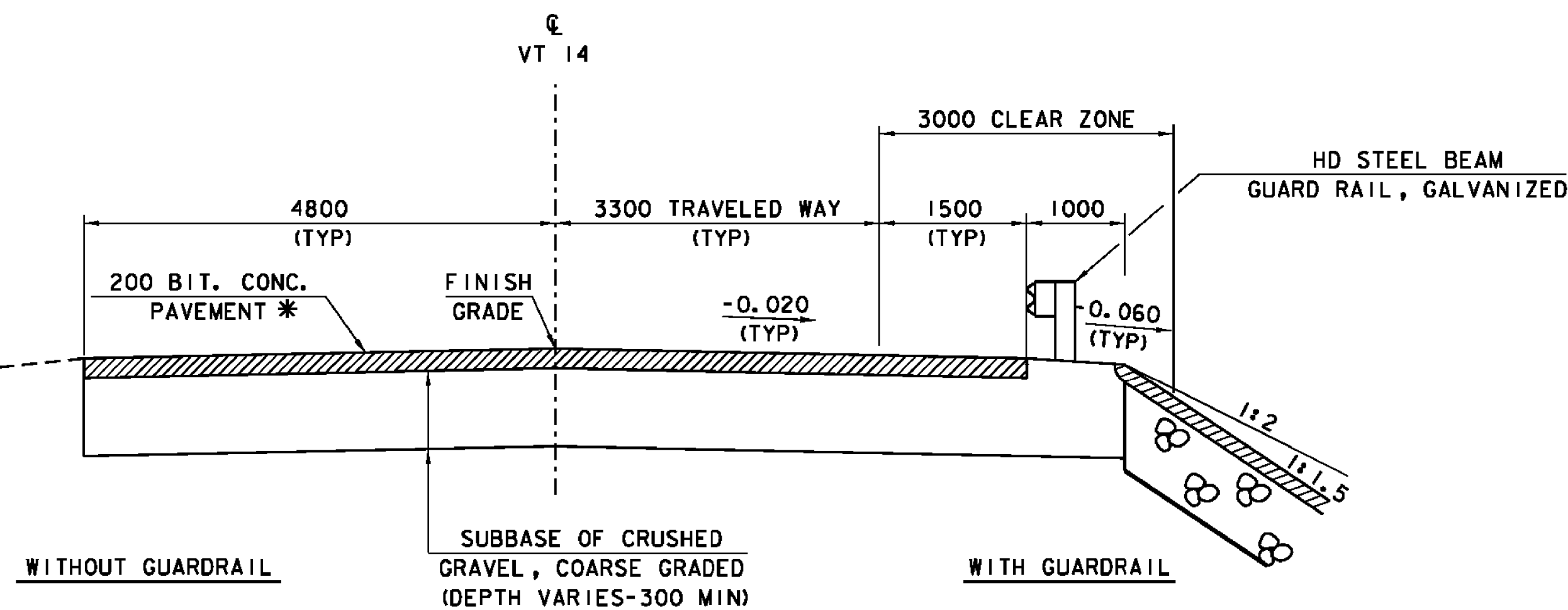
* 40 mm Type 111S or 1VS over 40 mm Type 111S or 1VS
 PAID FOR UNDER ITEM# 900.680 SPECIAL PROVISION (BITUMINOUS CONCRETE PAVEMENT, SMALL QUANTITY)
 ** SEE PRECAST CONCRETE/STEEL COMPOSITE SUPERSTRUCTURE OF SECTION 900 OF THE SPECIAL PROVISIONS

SIDEWALK ADDED BY CHANGE ORDER NO. 2 SEE REVISED SHEET 22A FOR TYPICAL SECTION

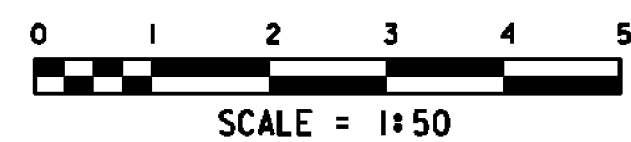
BALUSTERS ADDED BY CHANGE ORDER NO. 1 (TYP. BOTH SIDES)



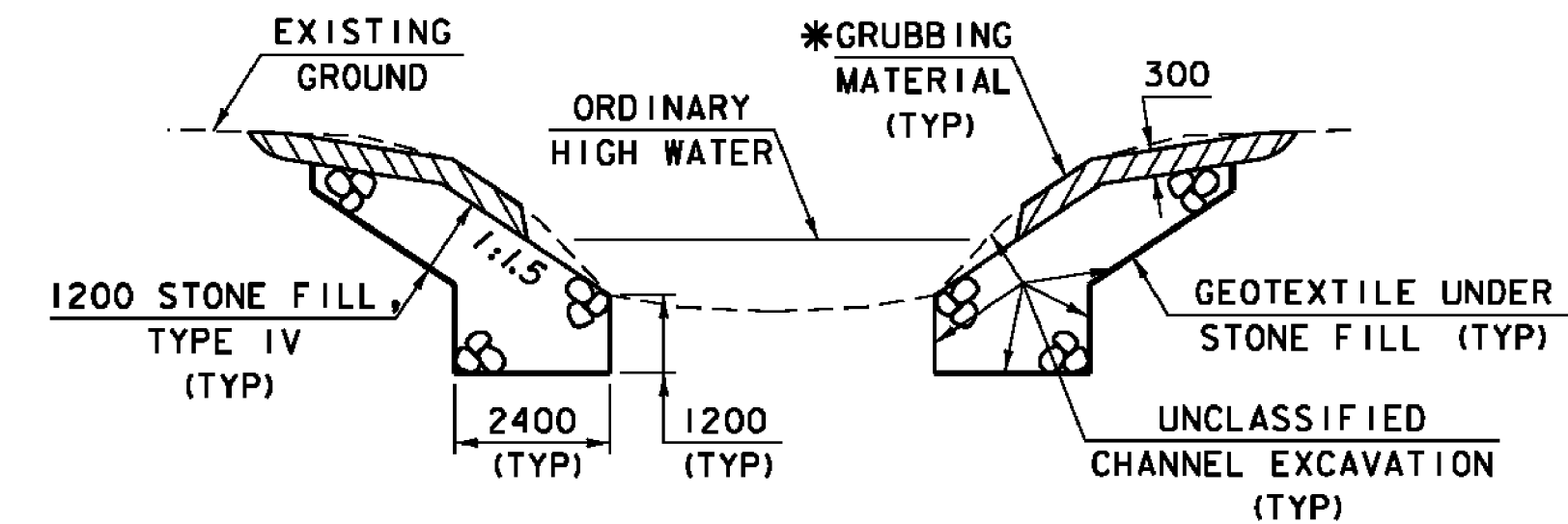
TYPICAL ABUTMENT SECTION (NOT TO SCALE)



TYPICAL ROADWAY SECTION



* 40 mm Type 111S or 1VS over 40 mm Type 111S or 1VS over 60 mm Type 1S or 11S over 60 mm Type 1S or 11S
 PAID FOR UNDER ITEM# 900.680 SPECIAL PROVISION (BITUMINOUS CONCRETE PAVEMENT, SMALL QUANTITY)



TYPICAL CHANNEL SECTION (NOT TO SCALE)

* GRUBBING MATERIAL SHALL NOT BE PLACED ON THE STONE FILL IN THE AREA UNDER THE BRIDGE. WHENEVER CHANNEL SLOPE INTERSECTS ROADWAY SUBBASE, GRUBBING MATERIAL SHALL BEGIN AT THE BOTTOM OF SUBBASE.

NOTES

1. COFFERDAM LIMITS TO BE DETERMINED BY THE CONTRACTOR.
2. THE PAY LIMITS OF "COFFERDAM EXCAVATION, EARTH" AND "COFFERDAM EXCAVATION, ROCK" SHALL BE 600 OUTSIDE THE PERIMETER OF THE FOOTING, UP TO EXISTING GROUND OR BOTTOM OF SUBBASE, WHICHEVER IS LOWER.
3. 300 UNDERCUT AS DETERMINED NECESSARY BY THE ENGINEER.
4. IF A COFFERDAM IS CONSTRUCTED WHICH IS LARGER THAN THE INDICATED COFFERDAM EXCAVATION PAY LIMITS, PAYMENT FOR ALL UNCLASSIFIED CHANNEL EXCAVATION, INCLUDING THAT PORTION WHICH IS INSIDE THE COFFERDAM BUT OUTSIDE THE COFFERDAM EXCAVATION PAY LIMITS, WILL BE MADE AT THE CONTRACT UNIT PRICE FOR UNCLASSIFIED CHANNEL EXCAVATION.

MATERIAL ITEM	TOLERANCE
PAVEMENT	±5 mm TOTAL THICKNESS
BASE COURSE	±10 mm
SUBBASE	±30 mm
SAND BORROW	±30 mm
GRANULAR BORROW	±30 mm

PROJECT: EAST MONTPELIER	PROJECT NO.: BRF 037-2 (8)
DESIGN FILE NAME: 86e054/structures/s86e054notes.dgn	PLOT DATE: 18-AUG-2010
IPARM FILE NAME: ee054excsect.i	DRAWN BY: L. J. STONE
DESIGNED BY: L. J. STONE	CHECKED BY: H. I. SALLS
SQUAD LEADER: C. P. WILLIAMS	TYPICAL SECTIONS
	SHEET: 3 OF 63