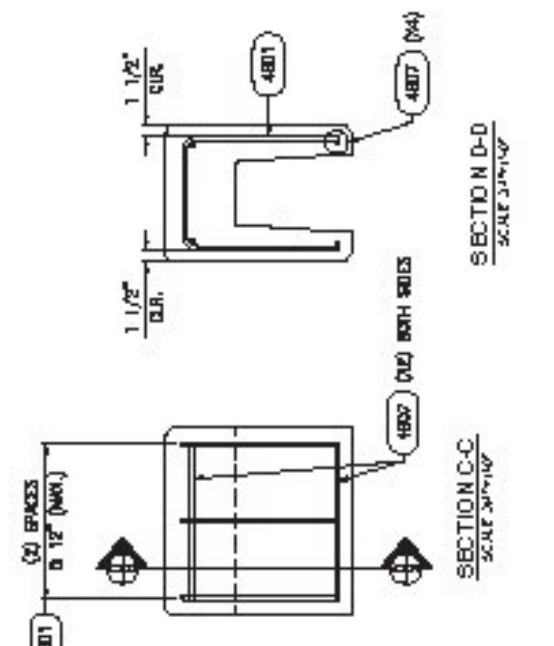
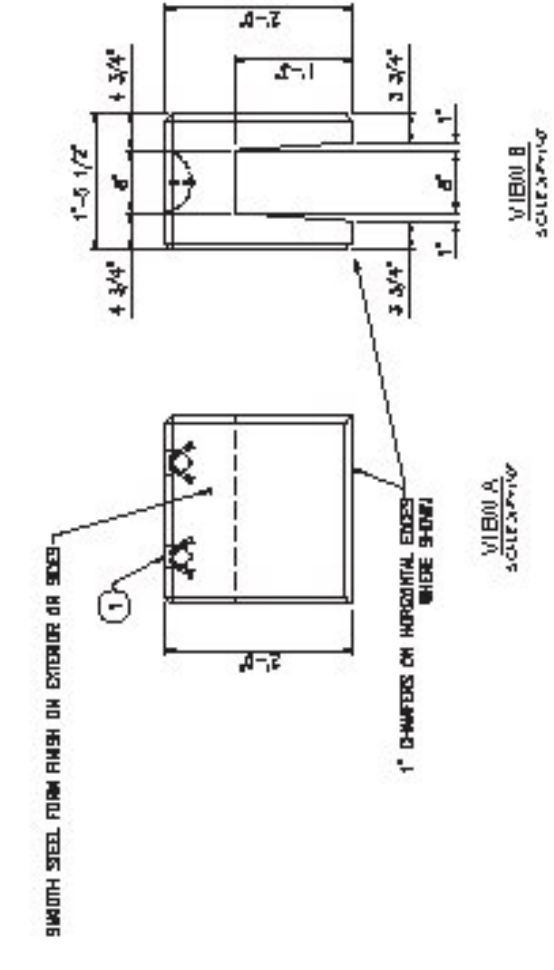


MAKING 1" MIN. CLEARANCE FROM ALL EXISTING SURFACES UNLESS NOTED OTHERWISE.



Vermont Agency of Transportation  
**RECEIVED**  
CK'D BY CLD OK'D BY WBP  
April 6, 2017  
RESUBMIT n0 Approved  
BY WP ELLE TIER DATE 04/07/2017

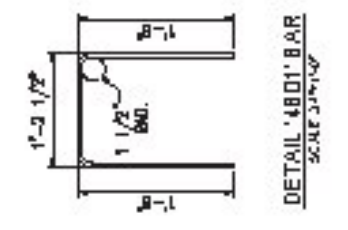
**SHOP DRAWING REVIEW**

REVIEWED AS REQUIRED BY THE CONSTRUCTION CONTRACT DOCUMENTS  
 REJECTED  REVISE AND RESUBMIT  APPROVED AS NOTED

CORRECTIONS OR COMMENTS MADE ON THE SHOP DRAWINGS DURING THIS REVIEW DO NOT RELIEVE CONTRACTOR FROM COMPLIANCE WITH REQUIREMENTS CONTAINED IN THE CONSTRUCTION CONTRACT DOCUMENTS. CONTRACTOR SHALL BE RESPONSIBLE FOR OBTAINING NECESSARY PERMITS AND APPROVALS FROM ALL AFFECTED AGENCIES AND AGENCIES WITH THAT OF ALL OTHER TRADES AND PERFORMING THEIR WORK IN A SAFE AND SATISFACTORY MANNER.

CLD Consulting Engineers  
410 Commercial Street  
Montpelier, VT 05602  
802-888-8222

Job Number: 14-0116  
Reviewed by: A. GIRALDI  
Date: 4/7/17



LEGEND  
NOT TO SCALE

NOTE: ALL DIMENSIONS SHOWN REPRESENT THE UNFINISHED SURFACE UNLESS NOTED OTHERWISE. DIMENSIONS SHOWN IN PARENTHESES ARE TO FINISH (F.F.).

BAR CHART (EPOXY COATED)						
ID#	SYMBOL	DETA.	SIZE	TYPE	LENGTH	AMT.
4007	3	5	#4	D	1'-0"	510000
4007	4	5	#4	SM	1'-0" 3/4"	610000

BILL OF MATERIALS		AMT.	
ID#	QTY/PC	TOTAL	DESCRIPTION
1	2	4	NO. 40044 1'-0"X1'-0" C.A.L.
2	1	1	NO. 40045 1'-0"X1'-0" C.A.L.
3	1	1	NO. 40046 1'-0"X1'-0" C.A.L.

**DESIGN NOTES**

- CONCRETE SHALL BE PLACED IN 2-4" MIN. THICK LAYERS WITH 1" MAXIMUM SPACING BETWEEN LAYERS.
- ALL SURFACES TO BE FINISHED WITH 1" MIN. THICK LAYER OF 1" MAXIMUM SPACING BETWEEN LAYERS.
- ALL SURFACES TO BE FINISHED WITH 1" MIN. THICK LAYER OF 1" MAXIMUM SPACING BETWEEN LAYERS.

OTHER PLAN SHOWN SEPARATELY

**Okcastle Precast**  
1000 W. 10th Street  
St. Albans, VT 05478  
802-249-1111

STATE OF VERMONT, AGENCY OF TRANSPORTATION  
CONTRACT NO. 14-0116  
CONTRACT DATE: 04/07/2017  
CONTRACT ITEM: 14-0116-01  
CONTRACT ITEM DESCRIPTION: 14-0116-01

CONTRACT NO. 14-0116  
CONTRACT DATE: 04/07/2017  
CONTRACT ITEM: 14-0116-01  
CONTRACT ITEM DESCRIPTION: 14-0116-01

CONTRACT NO. 14-0116  
CONTRACT DATE: 04/07/2017  
CONTRACT ITEM: 14-0116-01  
CONTRACT ITEM DESCRIPTION: 14-0116-01

CW-6  
2) REQD.