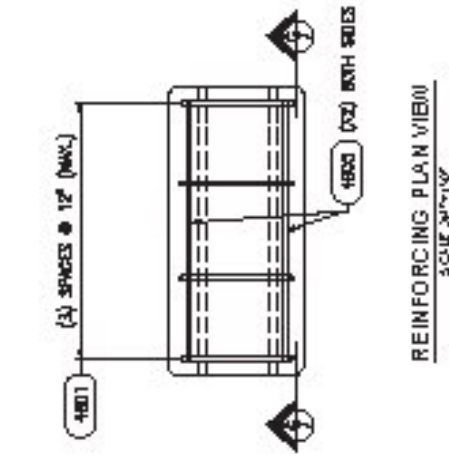
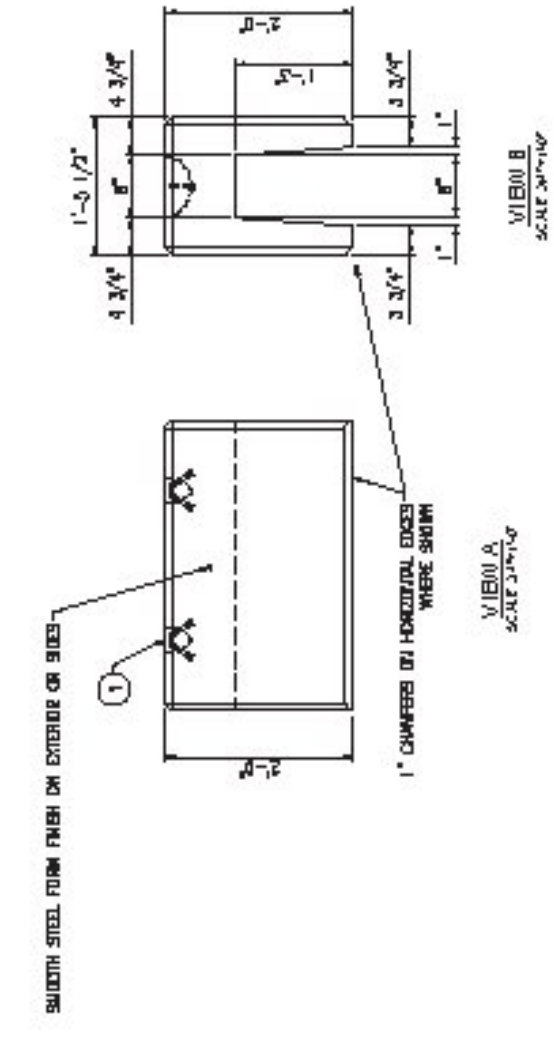


PLAN VIEW - REFLECTIVE CHALK
SCALE 3/4\"/>

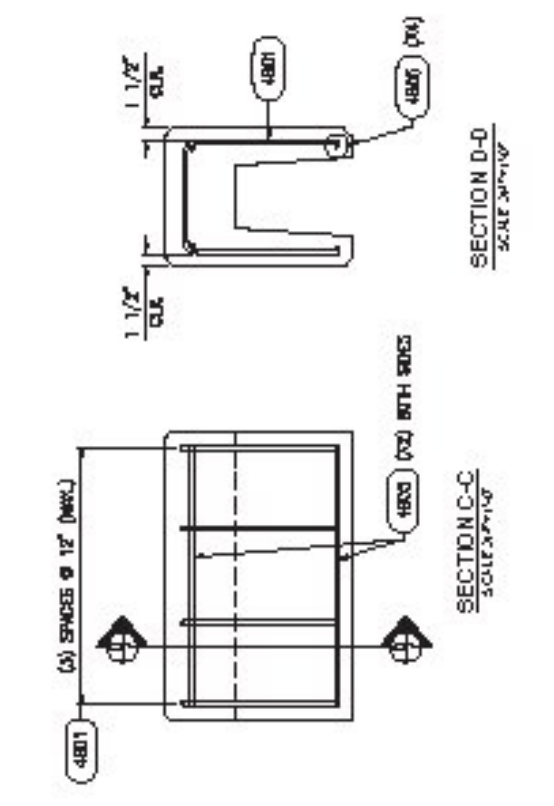


REINFORCING PLAN VIEW
SCALE 3/4\"/>

MAINTAIN 2\"/>



VIEW A
SCALE 3/4\"/>



SECTION C-C
SCALE 3/4\"/>

Vermont Agency of Transportation
RECEIVED
CK'D BY CLD OK'D BY WBP
April 6, 2017
RESUBMIT no Approved
BY W FELLETTIER DATE 04/07/2017

SHOP DRAWING REVIEW

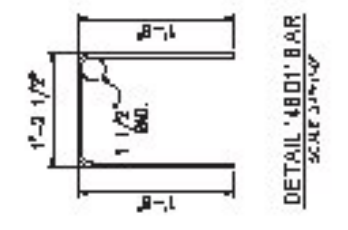
REVIEWED AS REQUIRED BY THE CONSTRUCTION CONTRACT DOCUMENTS AND APPROVED, BUT ONLY FOR CONFORMANCE TO THE DESIGN REQUIREMENTS OF THE CONSTRUCTION CONTRACT DOCUMENTS AND REQUIREMENTS CONTAINED IN THE CONSTRUCTION CONTRACT DOCUMENTS.

REJECTED REVISE AND RESUBMIT APPROVED AS NOTED

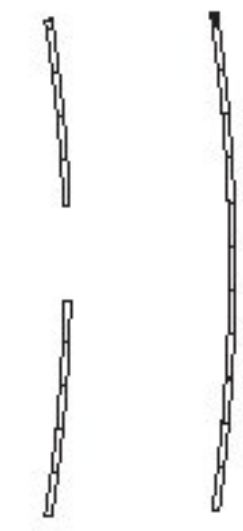
CORRECTIONS OR COMMENTS MADE ON THE SHOP DRAWINGS DURING THIS REVIEW DO NOT RELIEVE CONTRACTOR FROM COMPLIANCE WITH REQUIREMENTS OF THE DRAWINGS AND SPECIFICATIONS. THIS CHECK IS ONLY FOR REVIEW OF GENERAL COMPLIANCE WITH THE INFORMATION GIVEN IN THE CONTRACT DOCUMENTS. THE CONTRACTOR IS RESPONSIBLE FOR CONFIRMING AND CORRELATING ALL QUANTITIES AND DIMENSIONS. SELECTING FABRICATION METHODS, MATERIALS, AND MANUFACTURERS. THE CONTRACTOR SHALL BE RESPONSIBLE FOR THAT OF ALL OTHER TRADES, AND PERFORMING THEIR WORK IN A SAFE AND SATISFACTORY MANNER.

Job Number: 14-0116
Reviewed by: A. GIRALDI
Date: 4/7/17

CLD
CLD Consulting Engineers
540 Commonwealth Street
Montpelier, VT 05602
802.888.8200



DETAIL - HORIZ. BAR
SCALE 3/4\"/>



LEGEND
NOT TO SCALE

NOTE: ALL LAYERS BEHIND REINFORCING AND LAYERS BEHIND REINFORCING SHALL BE CONCRETE. ALL LAYERS BEHIND REINFORCING SHALL BE CONCRETE. ALL LAYERS BEHIND REINFORCING SHALL BE CONCRETE.

ITEM	QTY/PC	UNIT	SIZE	TYPE	LENGTH	AMP
4001	4	#4	D	1'-0"	5.0000	
4002	4	#4	SHR.	2'-0"	8.0000	

BAR CHART (EPOXY COATED)

ITEM	QTY/PC	UNIT	DESCRIPTION	AMP
1	2	2	NO. 4001A 4-#4@12" O.C.	
2	2	2	NO. 4002A 4-#4@24" O.C.	
3	1332	CT	CONCRETE	

- GENERAL NOTES**
- CONCRETE SHALL BE PLACED IN 4" TO 6" LAYERS. ALL LAYERS SHALL BE 2800 PSI STRENGTH CONCRETE. ALL LAYERS SHALL BE 2800 PSI STRENGTH CONCRETE.
 - ALL SURFACES TO BE FINISHED WITH A FINISH AS SHOWN.
 - ALL SURFACES TO BE FINISHED WITH A FINISH AS SHOWN.
- CONCRETE SHALL BE PLACED IN 4" TO 6" LAYERS. ALL LAYERS SHALL BE 2800 PSI STRENGTH CONCRETE. ALL LAYERS SHALL BE 2800 PSI STRENGTH CONCRETE.

BAR WEIGHT TOTALS	
#4 BAR	104.1 LBS.

Okcastle Precast

1000 W. BROADWAY
MONTPELIER, VT 05602
802.888.8200

STATE OF VERMONT, AGENCY OF TRANSPORTATION
CONTRACT NO. 14-0116
JOB NO. 14-0116
DATE: 4/7/17

CW-4
(1) RECD.