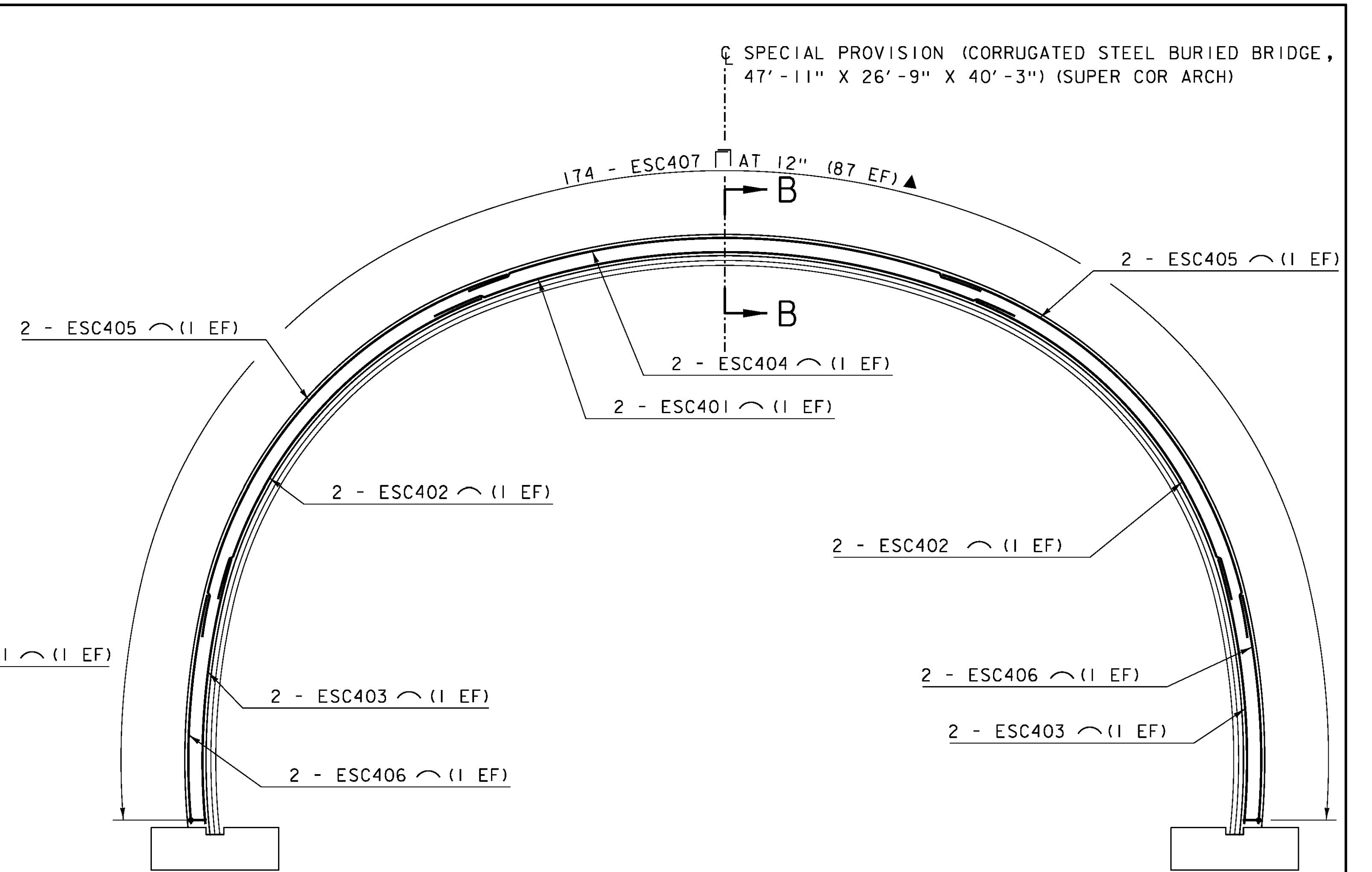
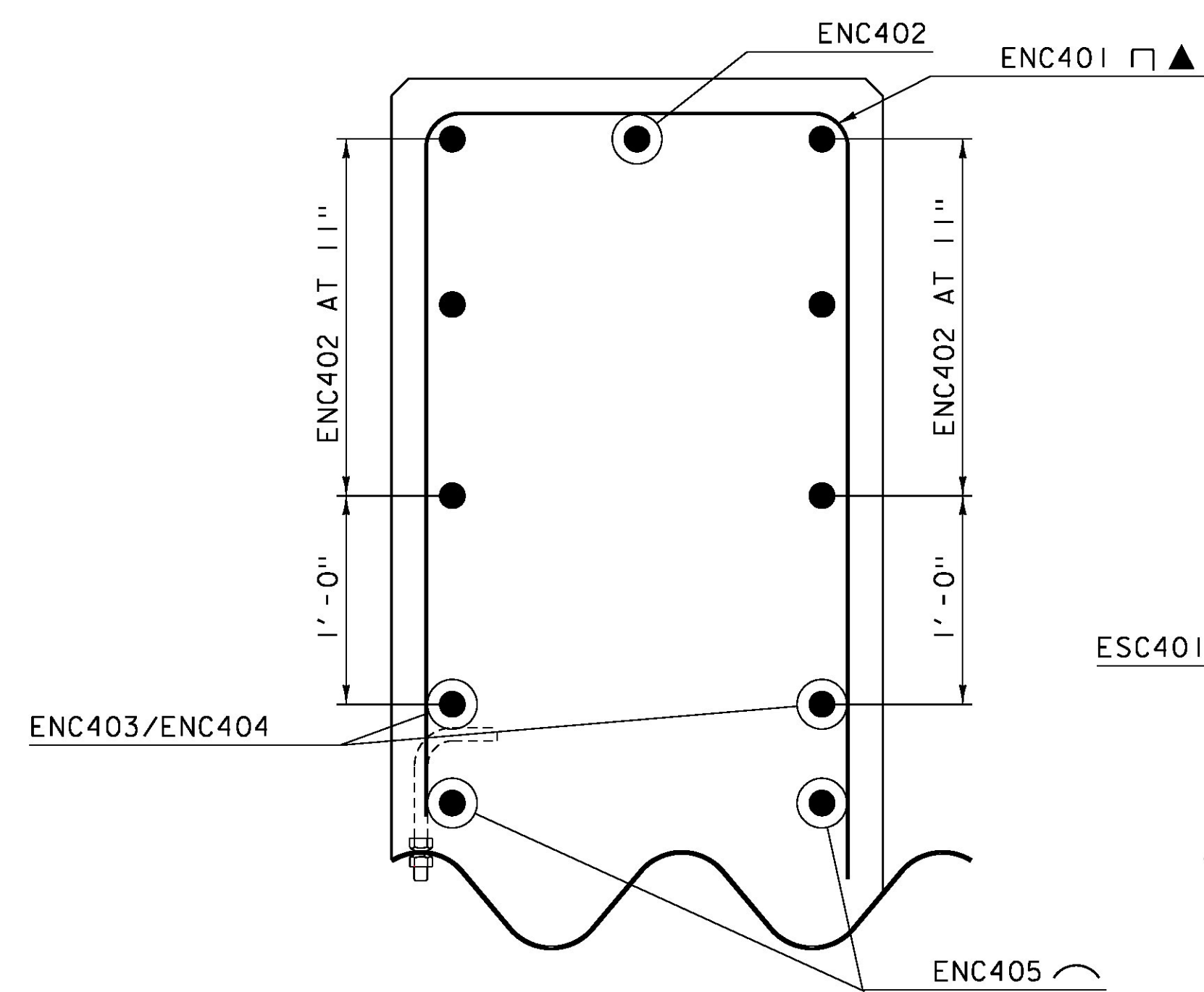


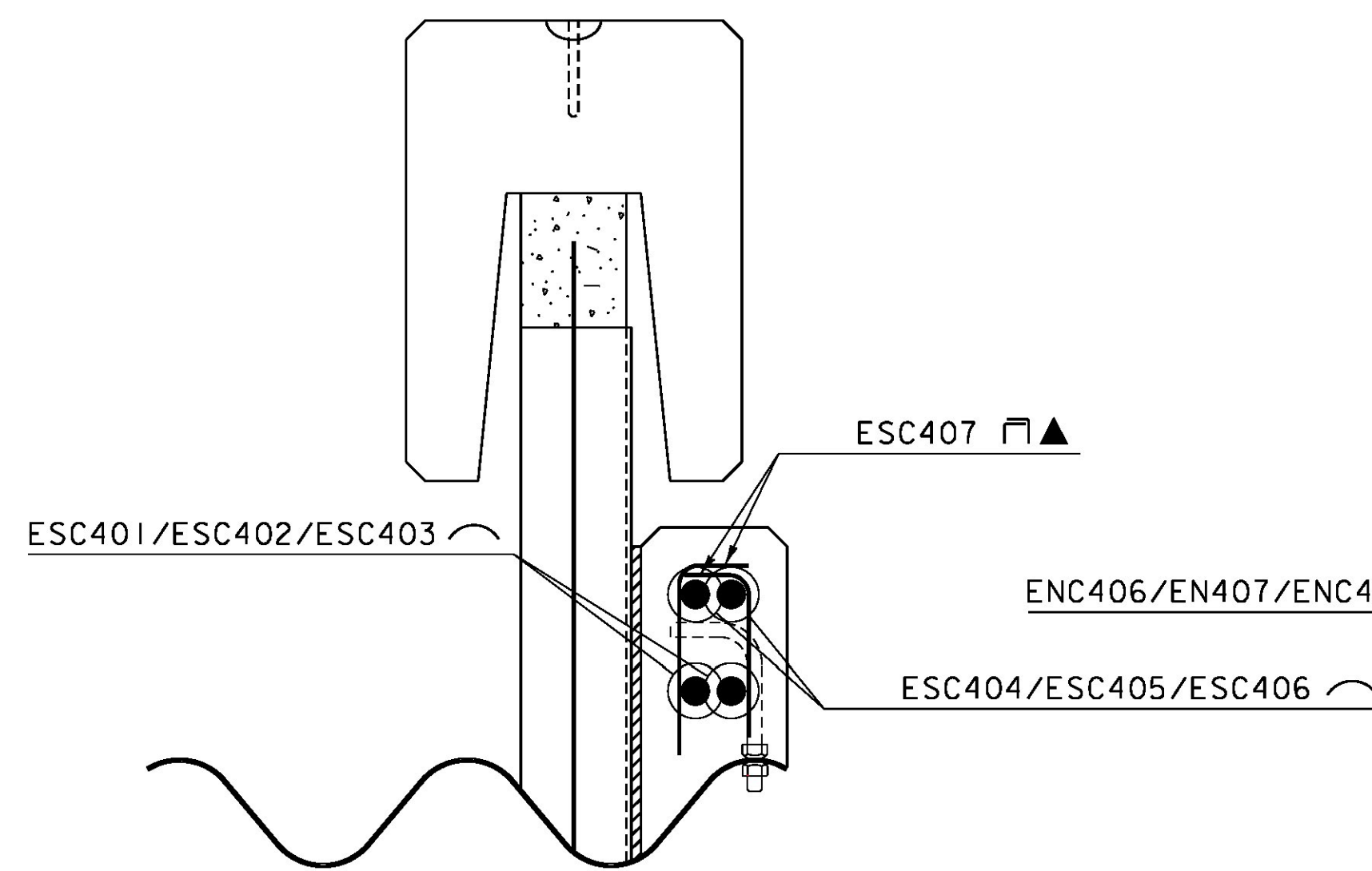
NORTH CAST-IN-PLACE CONCRETE COLLAR
AND COLLAR/WALL CAP COMBINATION REINFORCING ELEVATION
SCALE: 1/4" = 1'-0"



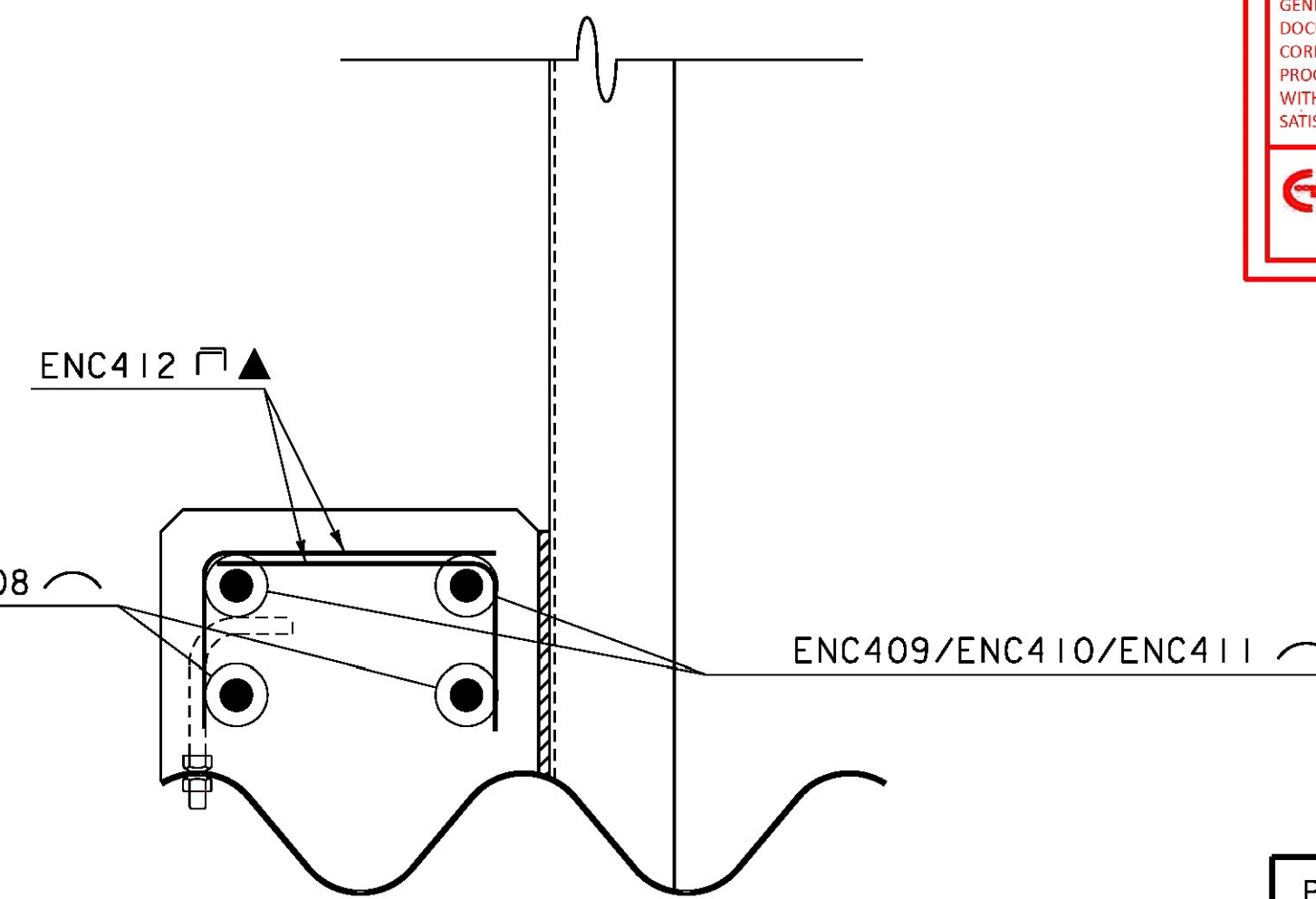
SOUTH CAST-IN-PLACE CONCRETE COLLAR REINFORCING ELEVATION
SCALE: 1/4" = 1'-0"



SECTION A-A
SCALE: 1/2" = 1'-0"



SECTION B-B
SCALE: 1/2" = 1'-0"



SECTION C-C
SCALE: 1/2" = 1'-0"

Vermont Agency of Transportation
RECEIVED
OK'D BY CLD
March 10, 2017
RESUBMIT NO Approved
BY WPelletier DATE 03/15/2017

| SHOP DRAWING REVIEW | |
|--|---|
| <input checked="" type="checkbox"/> | REVIEWED AS REQUIRED BY THE CONSTRUCTION CONTRACT DOCUMENTS AND APPROVED, BUT ONLY FOR CONFORMANCE TO THE DESIGN CONCEPT OF THE WORK, AND SUBJECT TO FURTHER LIMITATIONS AND REQUIREMENTS CONTAINED IN THE CONSTRUCTION CONTRACT DOCUMENTS. |
| <input type="checkbox"/> | REJECTED |
| <input type="checkbox"/> | REVISE AND RESUBMIT |
| <input type="checkbox"/> | APPROVED AS NOTED |
| CORRECTIONS OR COMMENTS MADE ON THE SHOP DRAWINGS DURING THIS REVIEW DID NOT RELIEVE CONTRACTOR FROM COMPLIANCE WITH REQUIREMENTS OF THE DRAWINGS AND SPECIFICATIONS. THIS CHECK IS ONLY FOR REVIEW OF GENERAL CONFORMANCE WITH THE DESIGN CONCEPT OF THE PROJECT AND GENERAL COMPLIANCE WITH THE INFORMATION GIVEN IN THE CONTRACT DOCUMENTS. THE CONTRACTOR IS RESPONSIBLE FOR CONFIRMING AND CORRELATING ALL QUANTITIES AND DIMENSIONS; SELECTING FABRICATION PROCESSES AND TECHNIQUES OF CONSTRUCTION; COORDINATING THEIR WORK WITH THAT OF ALL OTHER TRADES; AND PERFORMING THEIR WORK IN A SAFE AND SATISFACTORY MANNER. | |
| CLD Consulting Engineers 340 Commercial Street Montpelier, VT 05601 802-888-8223 | Job Number: 14-0116 Reviewed by: A. GIRALDI Date: 3/15/17 |

NOTES:
NF = NEAR FACE
FF = FAR FACE
EF = EACH FACE
2" CLEAR, UNLESS OTHERWISE SPECIFIED ON THE THE PLANS.
1'-11" BAR LAP UNLESS OTHERWISE SPECIFIED ON THE PLANS

PROJECT NAME: ST. JOHNSBURY
PROJECT NUMBER: BF 7000(20)
FILE NAME: 86e048/cos/z86e048sub.dgn PLOT DATE: 10/26/2016
PROJECT LEADER: J.BYATT DRAWN BY: M.SMITH
DESIGNED BY: S. BEAUMONT CHECKED BY: A. GIRALDI
STRUCTURE DETAILS SHEET 3 SHEET 37 OF 70

