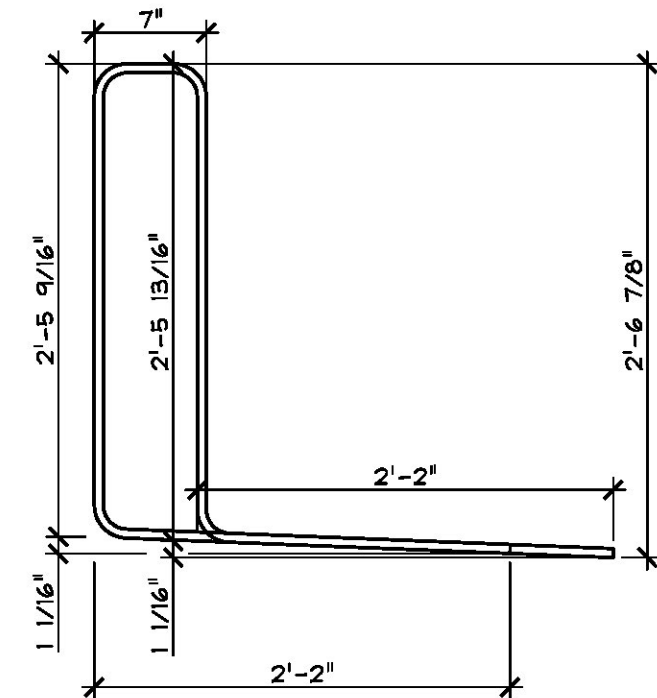
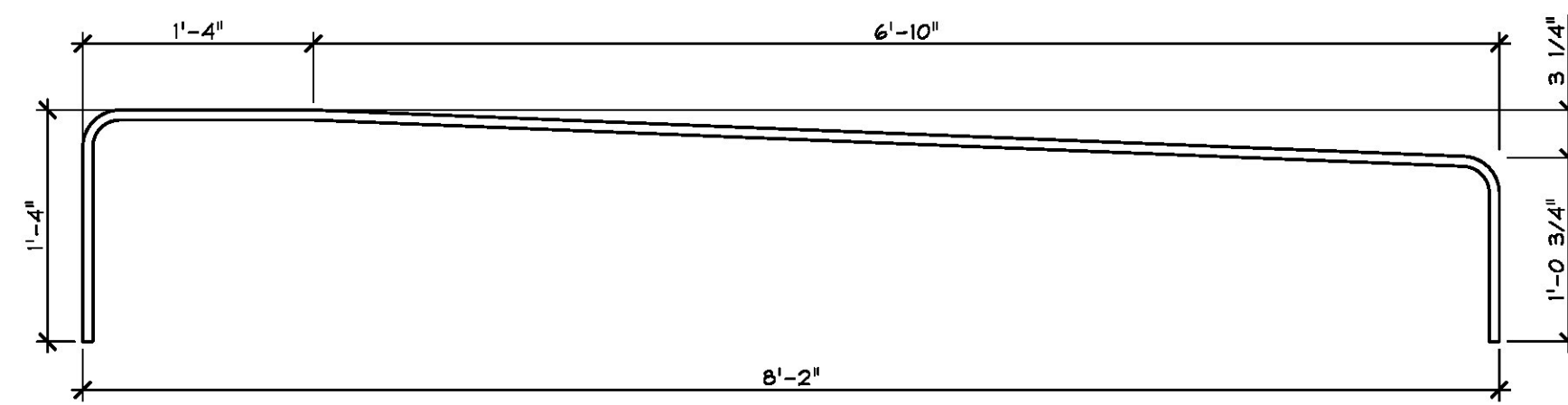


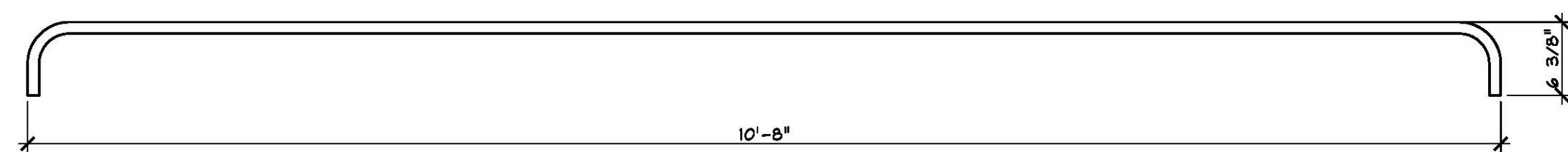
**SJ-401S**  
#4 BENT BAR  
(STAINLESS STEEL)  
USE 3" Ø PIN  
(45) REQUIRED



**SJ-402S**  
#4 BENT BAR  
(STAINLESS STEEL)  
USE 3" Ø PIN  
(45) REQUIRED



**SJ-501E**  
#5 BENT BAR  
EPOXY COATED (E.C.)  
USE 3 3/4" Ø PIN  
(65) REQUIRED



**SJ-701E**  
#7 BENT BAR  
EPOXY COATED (E.C.)  
USE 5 1/4" Ø PIN  
(66) TOTAL  
(65 REQUIRED + 1 FOR SAMPLING)

**PRECAST SOLID SLABS**

MISCELLANEOUS MATERIALS				
ITEM	MARK	QTY.	DESCRIPTION	REMARKS
1		3	#4 x 3'-0" (STAINLESS STEEL)	FOR SAMPLING
2				
3				
4				
5				
6		44	#5 x 7'-11" (EPOXY COATED)	
7		71	#5 x 8'-2" (EPOXY COATED)	
8		(67) Δ	#5 x 9'-9" (EPOXY COATED)	(1) FOR SAMPLING Δ
9		50	#5 x 10'-4 3/4" (EPOXY COATED)	
10		35	#5 x 10'-8" (EPOXY COATED)	
11				
12	MK-SJ1	40	DAYTON 2T X 6 3/4" SWIFT LIFT (GALV.) (DOMESTIC) Δ	
13				
14		70	#5 x 5'-8" (BLACK)	
15		24	#5 x 7'-10" (BLACK)	
16		(37) Δ	#5 x 9'-9" (BLACK) Δ	(1) FOR SAMPLING Δ
17				
18		70	#6 x 5'-8" (BLACK)	
19		24	#6 x 7'-10" (BLACK)	
20		(37) Δ	#6 x 9'-9" (BLACK)	(1) FOR SAMPLING Δ
21				
22	MK-SJ1	40	DAYTON 2T X 6 3/4" SWIFT LIFT (GALV.) (DOMESTIC) Δ	
23	MK-SJ2	10	2 1/2" X 8" X 6'-0" A36 BLACK STEEL	(SUPPLIED BY OTHERS)
24				
25				

Vermont Agency of Transportation  
**RECEIVED**  
 CKD BY CLD  
 RESUBMIT NO. Approved  
 BY WHELLETTER DATE 03/16/2017  
 March 6, 2017  
 OK'D BY WBP

SHOP DRAWING REVIEW

REVIEWED AS REQUIRED BY THE CONSTRUCTION CONTRACT DOCUMENTS AND APPROVED, BUT ONLY FOR CONFORMANCE TO THE DESIGN CONCEPT OF THE WORK AND SUBJECT TO FURTHER LIMITATIONS AND REQUIREMENTS CONTAINED IN THE CONSTRUCTION CONTRACT DOCUMENTS.

REJECTED     REVISE AND RESUBMIT     APPROVED AS NOTED

CORRECTIONS OR COMMENTS MADE ON THE SHOP DRAWINGS DURING THIS REVIEW DID NOT RELIEVE CONTRACTOR FROM COMPLIANCE WITH REQUIREMENTS OF THE DRAWINGS AND SPECIFICATIONS. THIS CHECK IS ONLY FOR REVIEW OF GENERAL CONFORMANCE WITH THE DESIGN CONCEPT OF THE PROJECT AND GENERAL COMPLIANCE WITH THE INFORMATION GIVEN IN THE CONTRACT DOCUMENTS. THE CONTRACTOR IS RESPONSIBLE FOR CONFIRMING AND CORRELATING ALL QUANTITIES AND DIMENSIONS. SELECTING FABRICATION PROCESSES AND TECHNIQUES OF CONSTRUCTION; COORDINATING THEIR WORK WITH THAT OF ALL OTHER TRADES; AND PERFORMING THEIR WORK IN A SAFE AND SATISFACTORY MANNER.

CLD Consulting Engineers  
240 Commercial Street  
Manchester, NH 03101  
603-666-9226

Job Number: 14-0116  
Reviewed by: AEG  
Date: 3/16/17

Δ 3-6-17 REVISED AS NOTED

APPROVAL STAMP:	<b>J.P. CARRARA &amp; SONS INC.</b> Precast & Prestress Manufacturer <small>2494 ONE STR., MIDDLEBURY, VERMONT 05753 Phone: (802)388-6361 Fax: (802)388-9010</small>	<b>J.P. SICARD, INC.</b> CONTRACTOR BARTON, VERMONT
	<b>STATE OF VERMONT AGENCY OF TRANSPORTATION</b> COUNTY OF CALEDONIA	DATE: FEB. 6, 2017 SCALE: NOTED
	<b>TOWN OF ST. JOHNSBURY</b> VT ROUTE 2B, URBAN MINOR ARTERIAL BRIDGE NO.: 6 PROJECT NO.: BF 7000(20)	CHKD: M.W. DFTM: A.S. JOB NO: 23507-017
	<b>MATERIAL LIST</b>	DWG. NO: M1