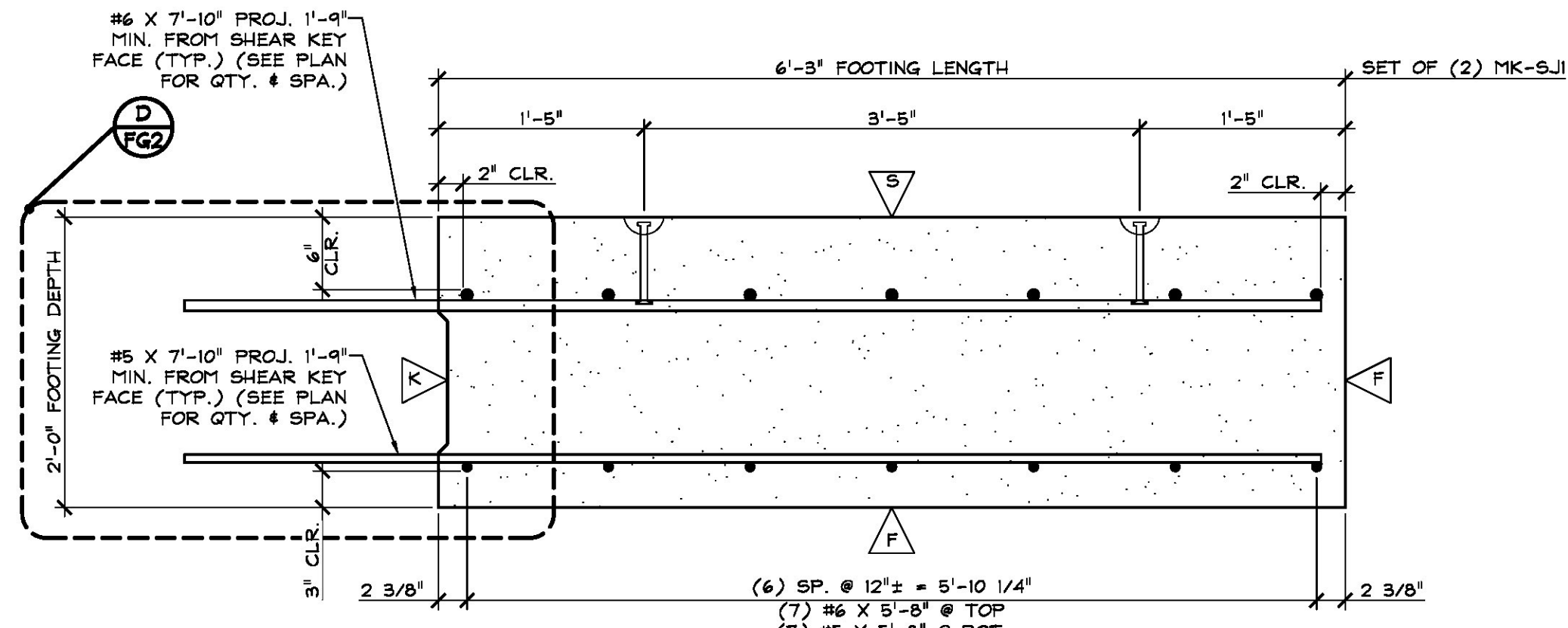
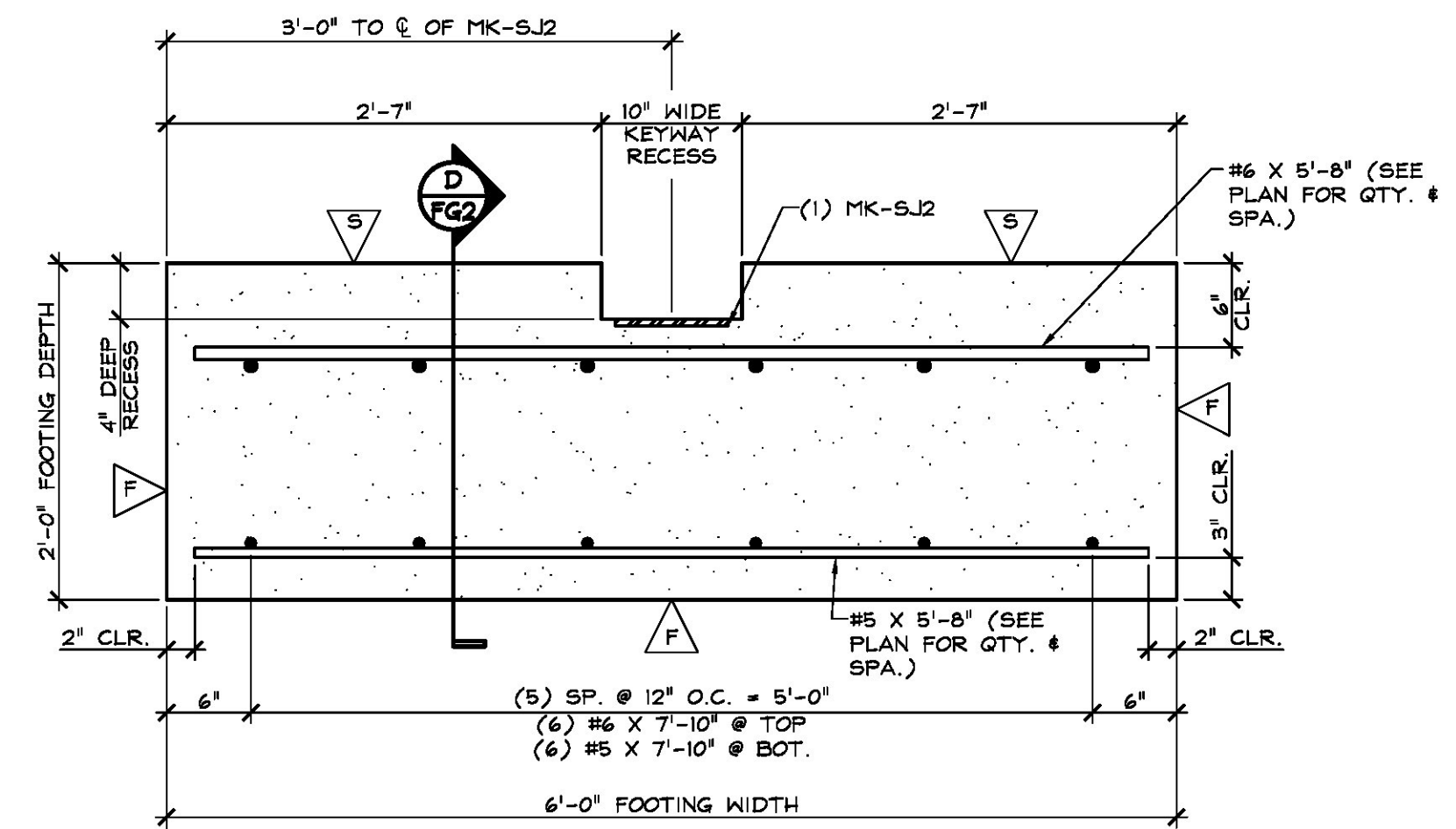


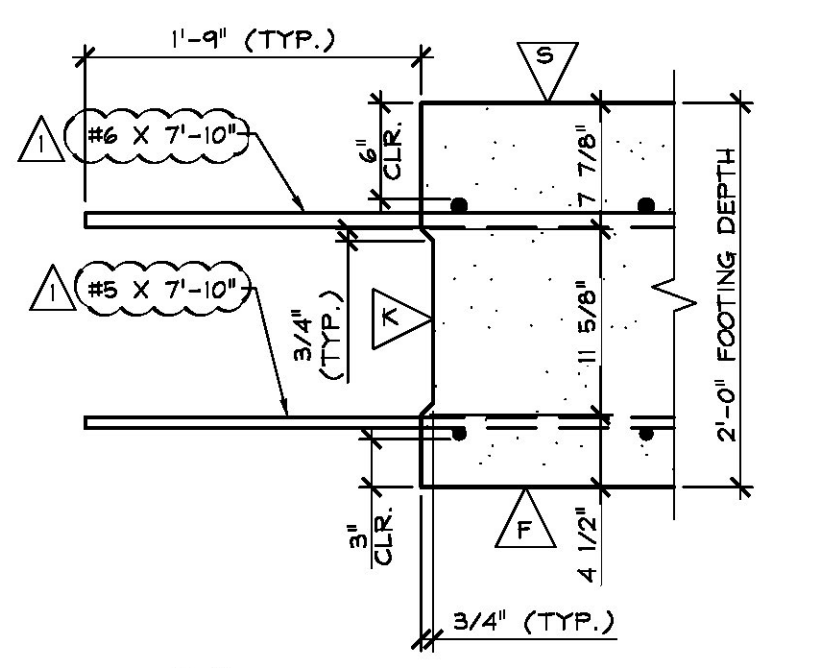
**I PLAN VIEW IN FORM**  
FG2 1" = 1'-0"



**A LONGITUDINAL SECTION**  
FG2 1" = 1'-0"



**B TRANSVERSE SECTION**  
FG2 1" = 1'-0"



**D SHEAR KEY SECTION**  
FG2 1" = 1'-0"

**SHOP DRAWING REVIEW**

REVIEWED AS REQUIRED BY THE CONSTRUCTION CONTRACT DOCUMENTS AND APPROVED, BUT ONLY FOR CONFORMANCE TO THE DESIGN CONCEPT OF THE WORK, AND SUBJECT TO FURTHER LIMITATIONS AND REQUIREMENTS CONTAINED IN THE CONSTRUCTION CONTRACT DOCUMENTS.

REJECTED  REVISE AND RESUBMIT  APPROVED AS NOTED

CORRECTIONS OR COMMENTS MADE ON THE SHOP DRAWINGS DURING THIS REVIEW DO NOT RELIEVE CONTRACTOR FROM COMPLIANCE WITH REQUIREMENTS OF THE DRAWINGS AND SPECIFICATIONS. THIS CHECK IS ONLY FOR REVIEW OF GENERAL COMPLIANCE WITH THE DESIGN CONCEPT OF THE PROJECT AND GENERAL COMPLIANCE WITH THE INFORMATION GIVEN IN THE CONTRACT DOCUMENTS. THE CONTRACTOR IS RESPONSIBLE FOR CONFIRMING AND CORRELATING ALL QUANTITIES AND DIMENSIONS; SELECTING FABRICATION PROCESSES AND TECHNIQUES OF CONSTRUCTION; COORDINATING THEIR WORK WITH THAT OF ALL OTHER TRADES; AND PERFORMING THEIR WORK IN A SAFE AND SATISFACTORY MANNER.

CD Consulting Engineers  
540 Commercial Street  
Manchester, NH 03101  
603-888-8225

Job Number: 14-0116  
Reviewed by: AEG  
Date: 3/16/17

Vermont Agency of Transportation  
**RECEIVED**  
 OK'D BY: CLD  
 RESUBMIT NO: Approved  
 DATE: 03/16/2017  
 BY: WPELLETIER  
 OK'D BY: WBP

- △ DENOTES FORM FINISH
  - ▽ DENOTES SMOOTH FLOAT FINISH
  - ▲ DENOTES ROUGHENED FINISH (SEE GENERAL NOTE #10, SHEET 'FF')
- SHOP NOTE:**  
 28-DAY STRENGTH = 5,000 PSI  
 HANDLING STRENGTH = 3,000 PSI  
 DESIGN MIX #445M5CC

MARK	QTY.	WT.	VOL.
SJ-FG3	4	5.49 T	2.71 cy

MATERIAL LIST / FOOTING			
ITEM	MARK	DESCRIPTION	QTY.
1			
2		#5 x 5'-8" (BLACK)	7
3		#5 x 7'-10" (BLACK)	6
4			
5		#6 x 5'-8" (BLACK)	7
6		#6 x 7'-10" (BLACK)	6
7			
8	MK-SJ1	DAYTON 2T x 6 3/4" SWIFT LIFT (GALV.) (DOMESTIC)	4
9	MK-SJ2	2 1/2" X 8" X 6'-0" A36 BLACK STEEL (BY OTHERS)	1
10			

3-6-17 REVISED AS NOTED

**APPROVAL STAMP:**

	<b>J.P. CARRARA &amp; SONS INC.</b> Precast & Prestress Manufacturer <small>244 CASE ST., MIDDLEBURY, VERMONT 05753 Phone: (802)388-6361 Fax: (802)388-9010</small>	<b>J.P. SICARD, INC.</b> CONTRACTOR BARTON, VERMONT
	<b>STATE OF VERMONT AGENCY OF TRANSPORTATION</b> COUNTY OF CALEDONIA	DATE: FEB. 6, 2017 SCALE: NOTED
	<b>TOWN OF ST. JOHNSBURY</b> VT ROUTE 2B, URBAN MINOR ARTERIAL BRIDGE NO.: 6 PROJECT NO.: BF 7000(20)	CHKD: M.W. DFTM: A.S. JOB NO: 23507-017
	<b>PRECAST FOOTING DETAILS</b>	DWG. NO: <b>FG2</b>