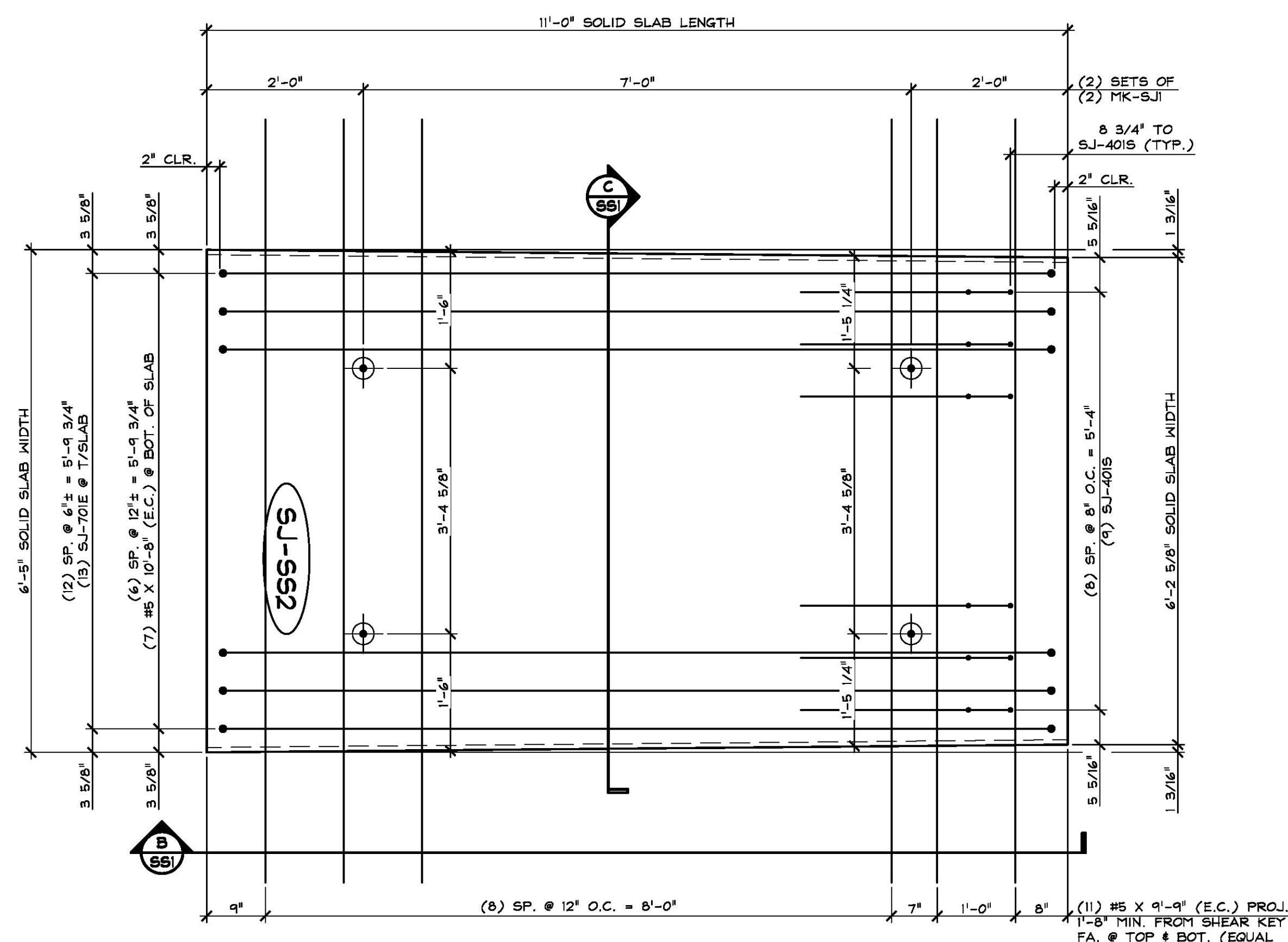
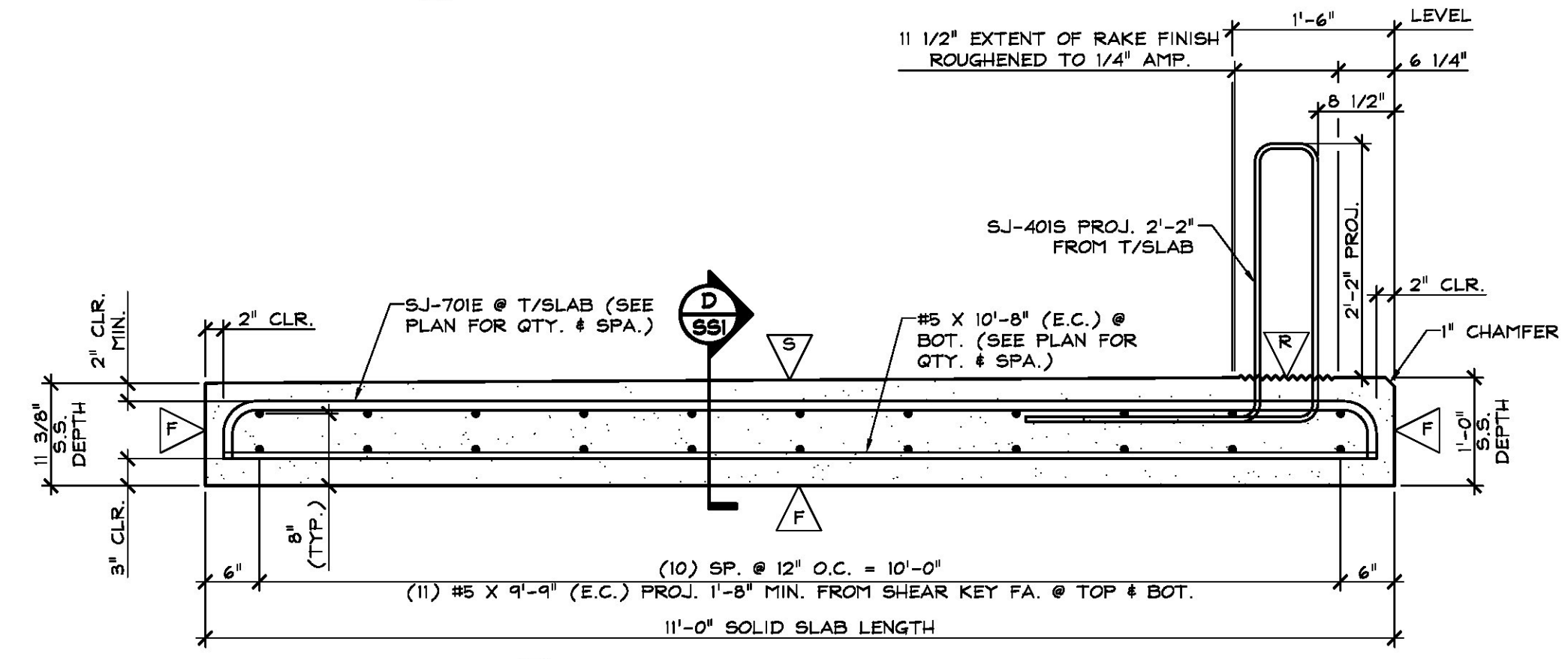


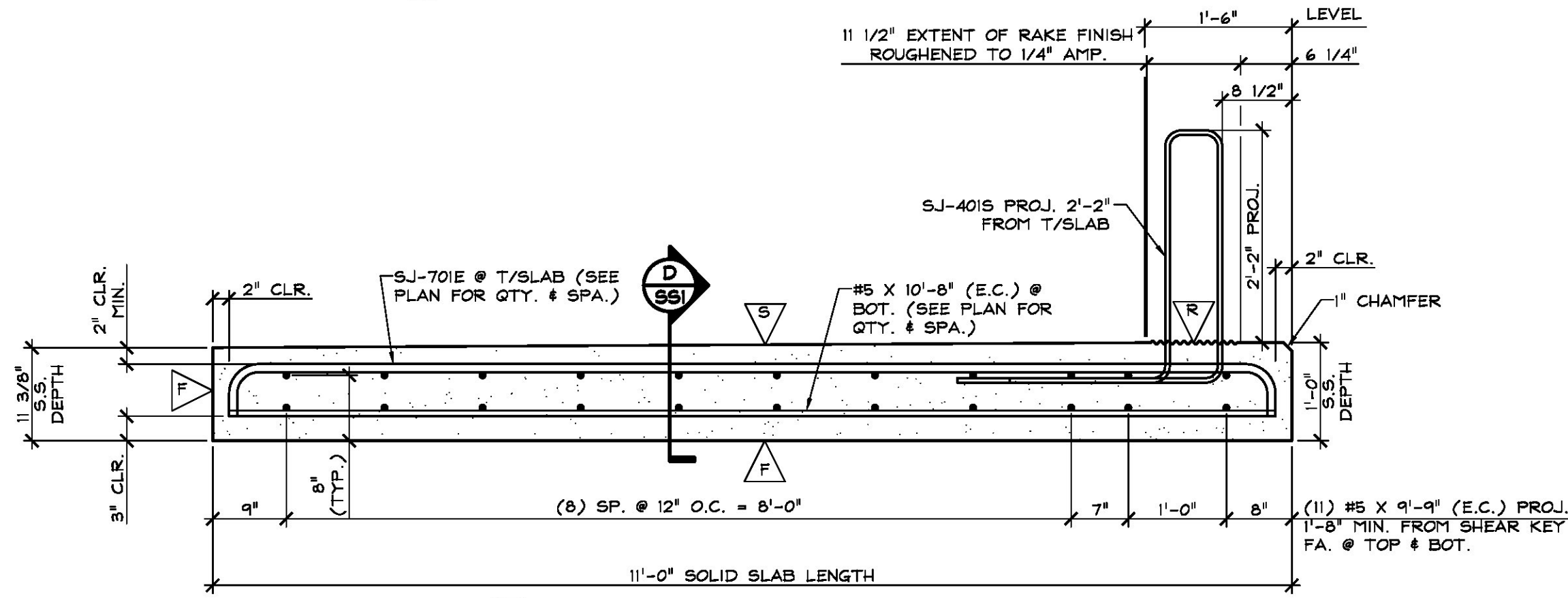
**1 PLAN VIEW IN FORM**  
SS1  
3/4" = 1'-0"



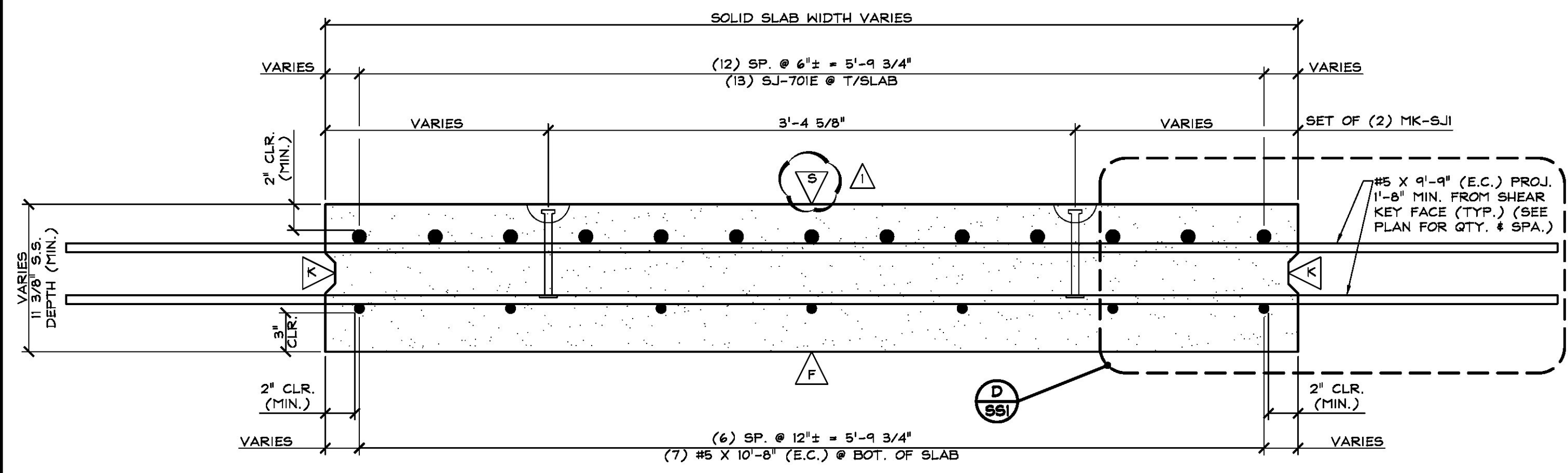
**2 PLAN VIEW IN FORM**  
SS1  
3/4" = 1'-0"



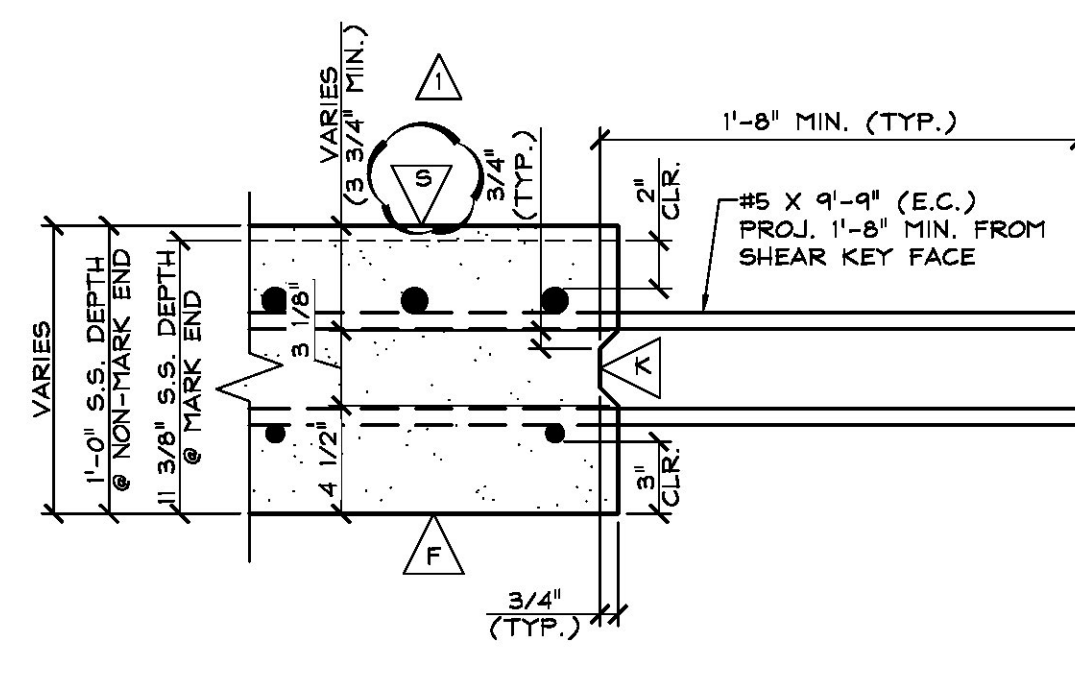
**A LONGITUDINAL SECTION**  
SS1  
3/4" = 1'-0"



**B LONGITUDINAL SECTION**  
SS1  
3/4" = 1'-0"



**C TRANSVERSE SECTION**  
SS1  
1 1/2" = 1'-0"



**D SHEAR KEY SECTION**  
SS1  
1 1/2" = 1'-0"

**SHOP DRAWING REVIEW**

REVIEWED AS REQUIRED BY THE CONSTRUCTION CONTRACT DOCUMENTS AND APPROVED, BUT ONLY FOR CONFORMANCE TO THE DESIGN CONCEPT OF THE WORK, AND SUBJECT TO FURTHER LIMITATIONS AND REQUIREMENTS CONTAINED IN THE CONSTRUCTION CONTRACT DOCUMENTS.

REJECTED  REVISE AND RESUBMIT  APPROVED AS NOTED

CORRECTIONS OR COMMENTS MADE ON THE SHOP DRAWINGS DURING THIS REVIEW DID NOT RELIEVE CONTRACTOR FROM COMPLIANCE WITH REQUIREMENTS OF THE DRAWINGS AND SPECIFICATIONS. THIS CHECK IS ONLY FOR REVIEW OF GENERAL CONFORMANCE WITH THE DESIGN CONCEPT OF THE PROJECT AND GENERAL COMPLIANCE WITH THE INFORMATION GIVEN IN THE CONTRACT DOCUMENTS. THE CONTRACTOR IS RESPONSIBLE FOR CONFIRMING AND CORRELATING ALL QUANTITIES AND DIMENSIONS, SELECTING FABRICATION PROCESSES AND TECHNIQUES OF CONSTRUCTION, COORDINATING THEIR WORK WITH THAT OF ALL OTHER TRADES, AND PERFORMING THEIR WORK IN A SAFE AND SATISFACTORY MANNER.

CDL Consulting Engineers  
240 Commercial Street  
Manchester, NH 03101  
603-688-9223

Job Number: 14-0116  
Reviewed by: AEG  
Date: 3/16/17

Vermont Agency of Transportation  
**RECEIVED**  
CK'D BY CLD  
RESUBMIT NO. Approved  
BY WRELETTHER DATE 03/16/2017  
March 6, 2017

- △ DENOTES FORM FINISH
- ▽ DENOTES SMOOTH FLOAT FINISH
- ▲ DENOTES ROUGHENED FINISH (SEE GENERAL NOTE #10, SHEET F1)
- ▲ DENOTES RAKE FINISH ROUGHENED TO 1/4" AMPLITUDE

**SHOP NOTE:**  
28-DAY STRENGTH = 5,000 PSI  
HANDLING STRENGTH = 3,000 PSI  
DESIGN MIX #445MSCC

MARK:	SJ-SS1	QTY.:	1	WT.:	5.09 T	VOL.:	2.52 cy
MARK:	SJ-SS2	QTY.:	2	WT.:	5.09 T	VOL.:	2.52 cy

MATERIAL LIST / SOLID SLAB				
ITEM	MARK	DESCRIPTION	QTY./SLAB	
			SS1	SS2
1	SJ-4015	#4 BENT BAR (STAINLESS STEEL)	9	9
2				
3		#5 x 9'-9" (EPOXY COATED)	22	22
4		#5 x 10'-8" (EPOXY COATED)	7	7
5				
6	SJ-701E	#7 BENT BAR (EPOXY COATED)	13	13
7				
8	MK-SJI	DAYTON 2T X 3 & 3/4" SWIFT LIFT (GALV.) (DOMESTIC)	4	4
9				
10				

3-6-17 REVISED AS NOTED

APPROVAL STAMP:

<b>J.P. CARRARA &amp; SONS INC.</b> Precast & Prestress Manufacturer 244 ONE STR., MIDDLEBURY, VERMONT 05753 Phone:(802)388-6361 Fax:(802)388-9010	<b>J.P. SICARD, INC.</b> CONTRACTOR BARTON, VERMONT
<b>STATE OF VERMONT AGENCY OF TRANSPORTATION</b> COUNTY OF CALEDONIA	DATE: FEB. 6, 2017 SCALE: NOTED
<b>TOWN OF ST. JOHNSBURY</b> VT ROUTE 2B, URBAN MINOR ARTERIAL BRIDGE NO.: 6 PROJECT NO.: BF 7000(20)	CHKD: M.W. DFTM: A.S. JOB NO: 23507-017
<b>PRECAST SOLID SLAB DETAILS</b>	DWG. NO: <b>SS1</b>