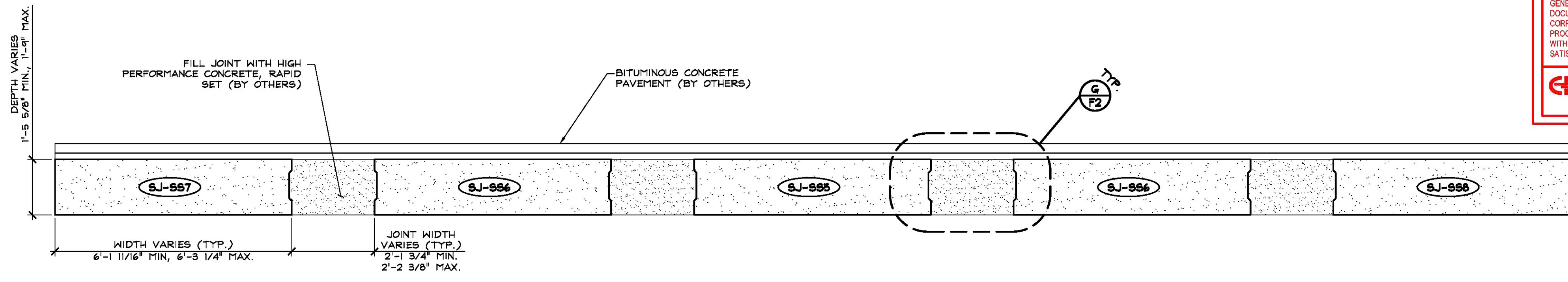
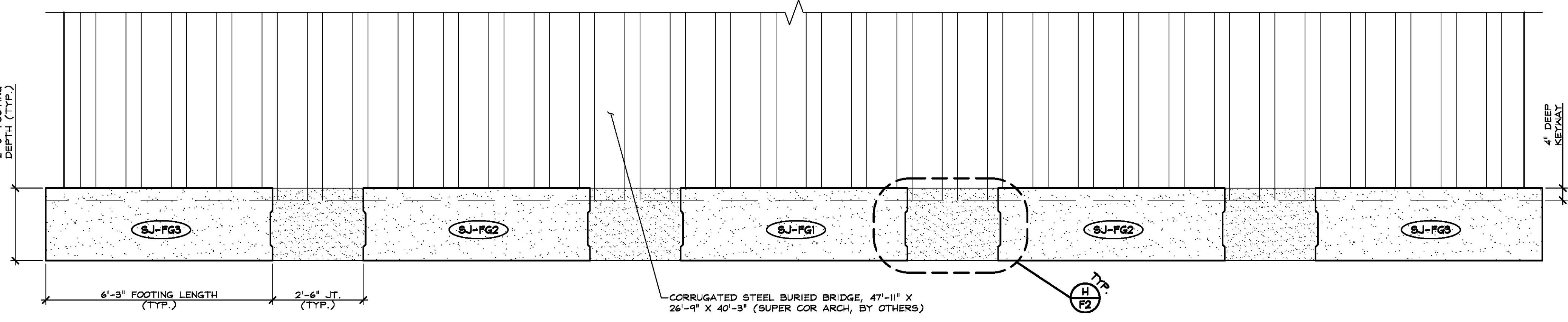


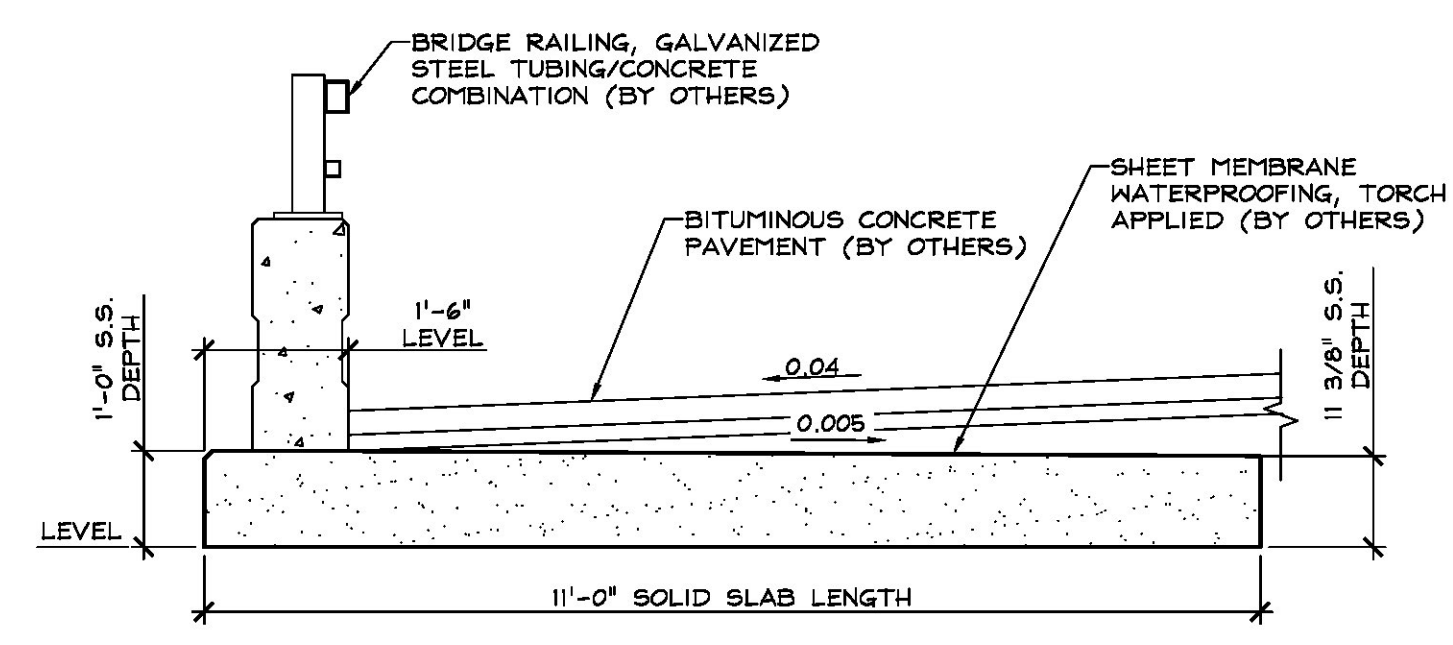
A NORTH RAIL SUPPORT SLAB TRANSVERSE SECTION
 F2 1/2" = 1'-0"



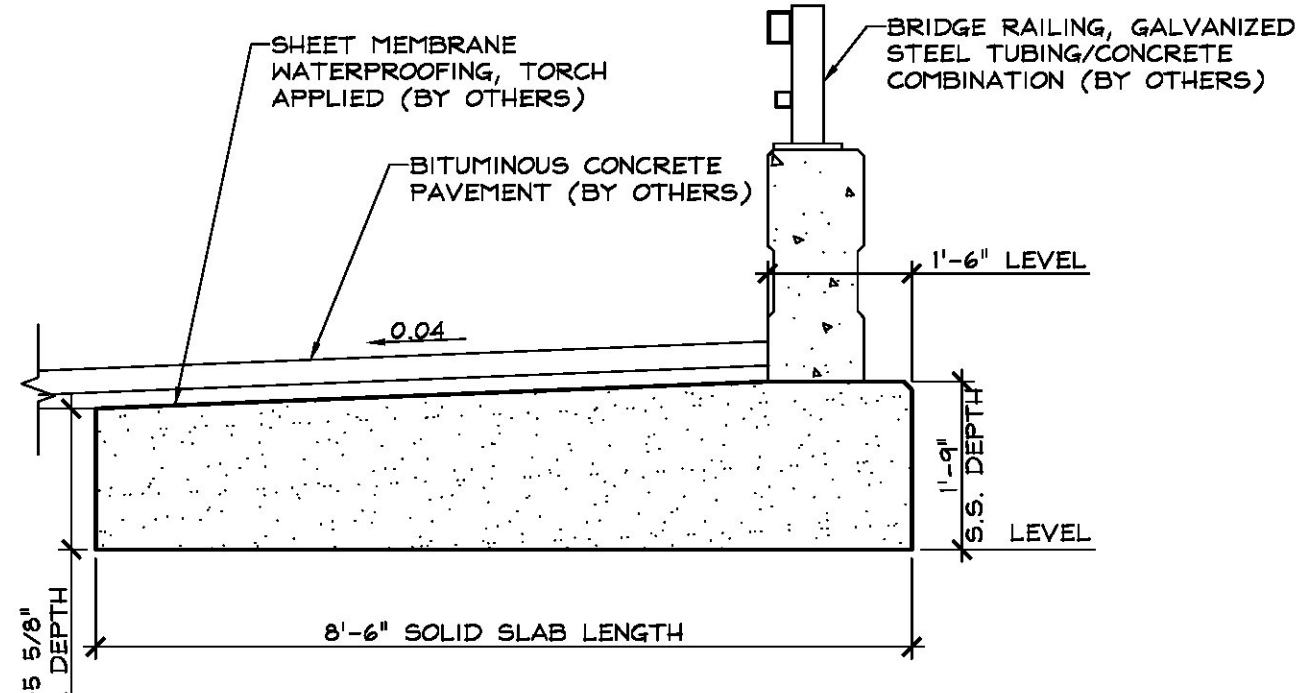
B SOUTH RAIL SUPPORT SLAB TRANSVERSE SECTION
 F2 1/2" = 1'-0"



C FOOTING ELEVATION
 F2 1/2" = 1'-0"



D NORTH RAIL SUPPORT SLAB SECTION
 F2 1/2" = 1'-0"



E SOUTH RAIL SUPPORT SLAB SECTION
 F2 1/2" = 1'-0"

SHOP DRAWING REVIEW

REVIEWED AS REQUIRED BY THE CONSTRUCTION CONTRACT DOCUMENTS AND APPROVED, BUT ONLY FOR CONFORMANCE TO THE DESIGN CONCEPT OF THE WORK, AND SUBJECT TO FURTHER LIMITATIONS AND REQUIREMENTS CONTAINED IN THE CONSTRUCTION CONTRACT DOCUMENTS.

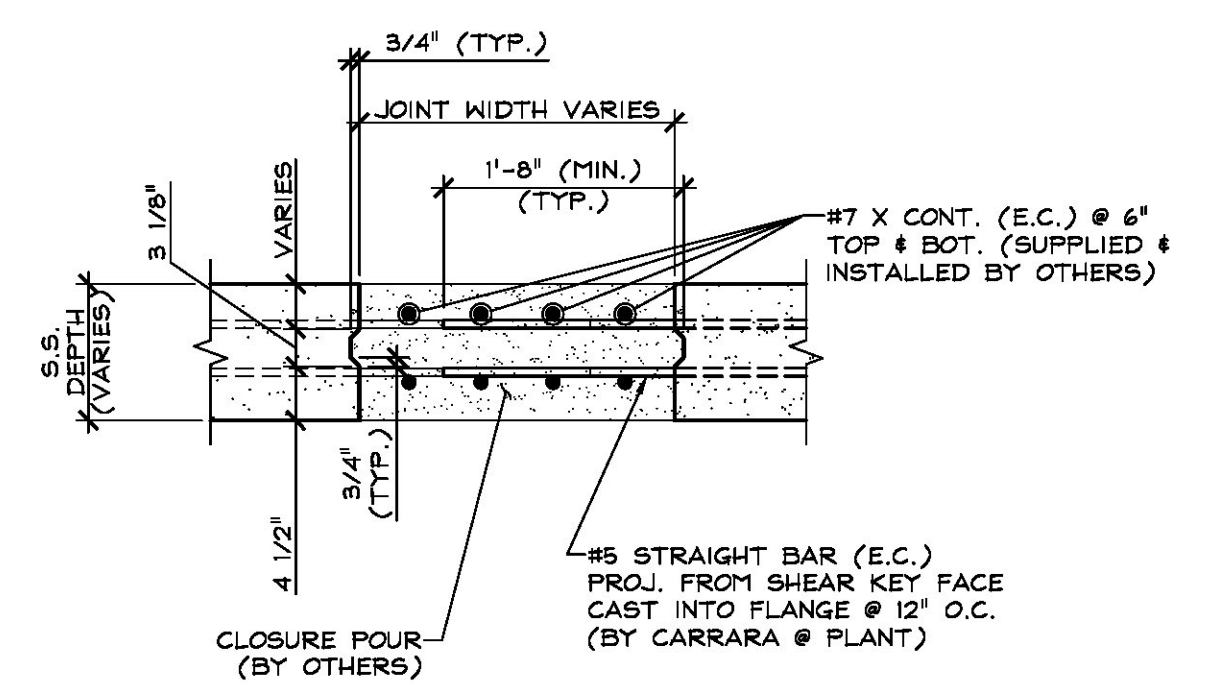
REJECTED REVISE AND RESUBMIT APPROVED AS NOTED

CORRECTIONS OR COMMENTS MADE ON THE SHOP DRAWINGS DURING THIS REVIEW DO NOT RELIEVE CONTRACTOR FROM COMPLIANCE WITH REQUIREMENTS OF THE DRAWINGS AND SPECIFICATIONS. THIS CHECK IS ONLY FOR REVIEW OF GENERAL CONFORMANCE WITH THE DESIGN CONCEPT OF THE PROJECT AND GENERAL COMPLIANCE WITH THE INFORMATION GIVEN IN THE CONTRACT DOCUMENTS. THE CONTRACTOR IS RESPONSIBLE FOR CONFIRMING AND CORRELATING ALL QUANTITIES AND DIMENSIONS, SELECTING FABRICATION PROCESSES AND TECHNIQUES OF CONSTRUCTION, COORDINATING THEIR WORK WITH THAT OF ALL OTHER TRADES, AND PERFORMING THEIR WORK IN A SAFE AND SATISFACTORY MANNER.

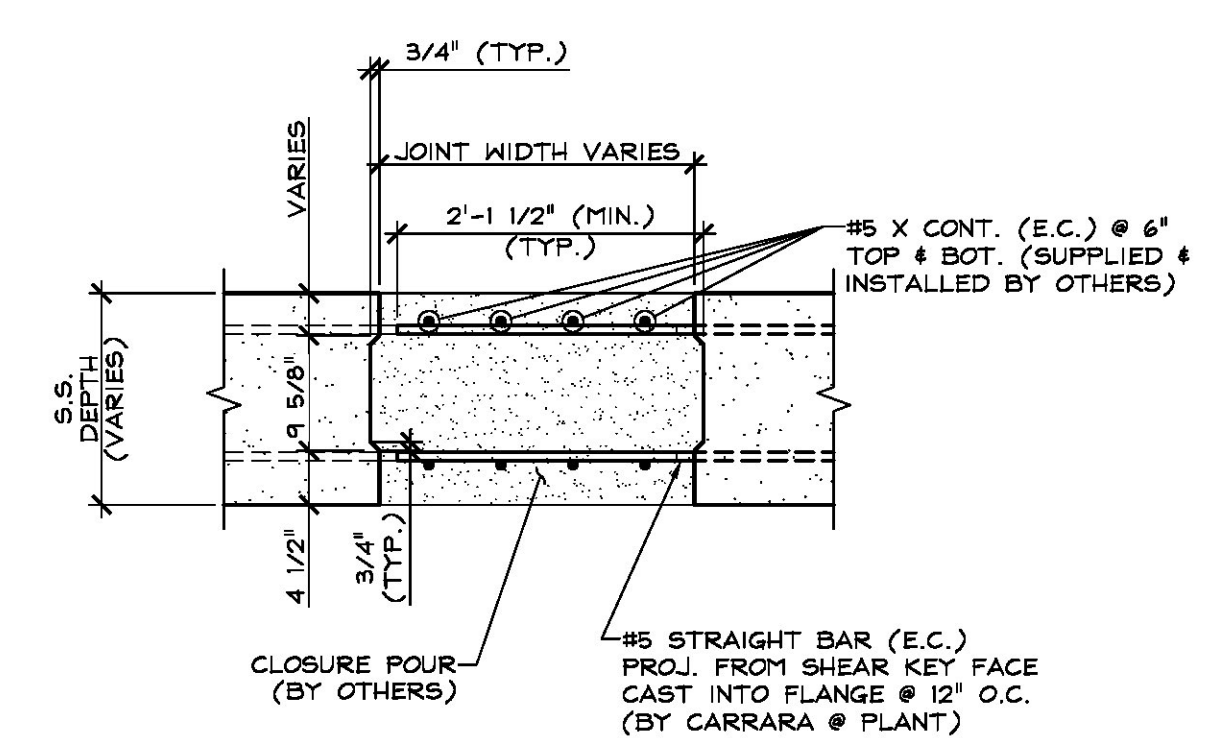
CLD Consulting Engineers
 540 Commercial Street
 Manchester, NH 03101
 603-888-6223

Job Number: 14-0116
 Reviewed by: AEG
 Date: 3/16/17

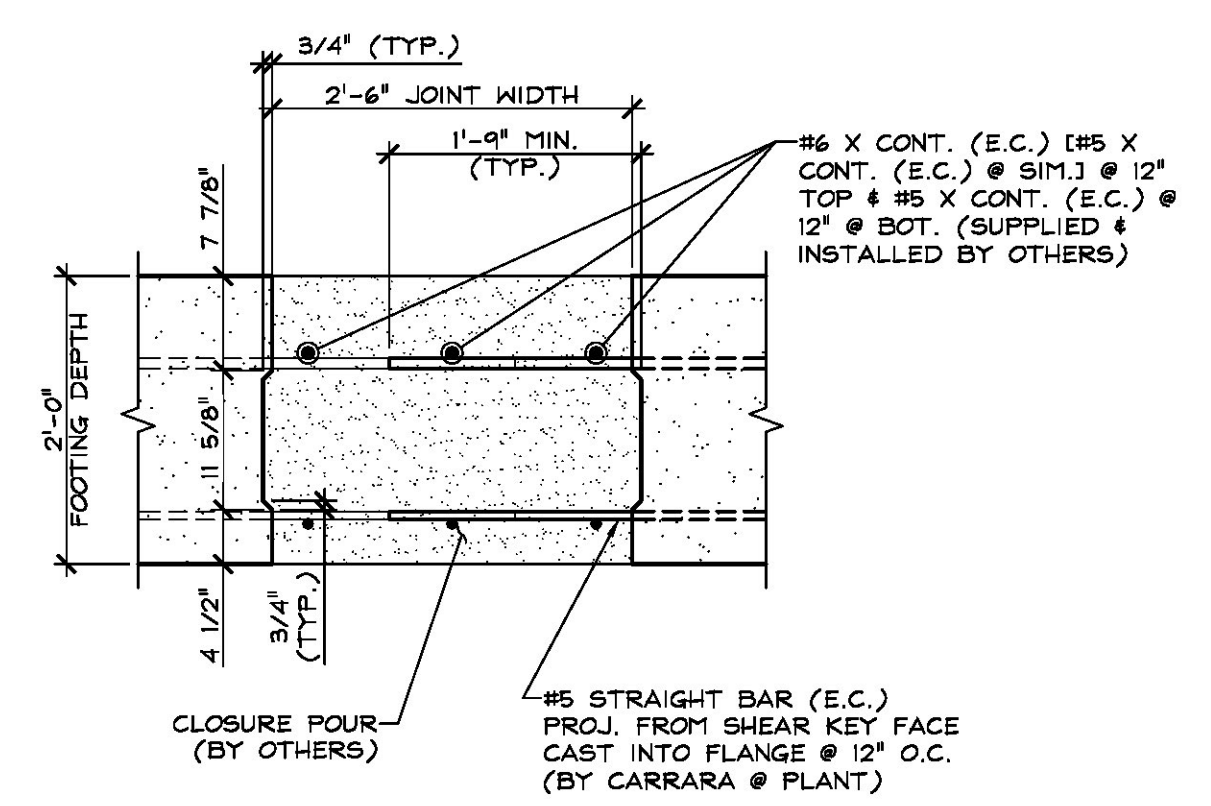
Vermont Agency of Transportation
RECEIVED
 OK'D BY VMAP
 March 6, 2017
 RESUBMIT NO. Approved
 BY WPELLETIER DATE 03/16/2017



F SHEAR KEY SECTION @ NORTH RAIL SUPPORT SLAB
 F2 3/4" = 1'-0"



G SHEAR KEY SECTION @ SOUTH RAIL SUPPORT SLAB
 F2 3/4" = 1'-0"



H SHEAR KEY SECTION @ FOOTING
 F2 3/4" = 1'-0"

APPROVAL STAMP:	J.P. CARRARA & SONS INC. Precast & Prestress Manufacturer 244 CASE ST., MIDDLEBURY, VERMONT 05753 Phone:(802)388-6361 Fax:(802)388-9010	J.P. SICARD, INC. CONTRACTOR BARTON, VERMONT
	STATE OF VERMONT AGENCY OF TRANSPORTATION COUNTY OF CALEDONIA	DATE: FEB. 6, 2017 SCALE: NOTED
	TOWN OF ST. JOHNSBURY VT ROUTE 2B, URBAN MINOR ARTERIAL BRIDGE NO.: 6 PROJECT NO.: BF 7000(20)	CHKD: M.W. DFTM: A.S. JOB NO: 23507-017
	PRECAST FOOTINGS & RAIL SUPPORT SLAB SECTIONS & DETAILS	DWG. NO: F2