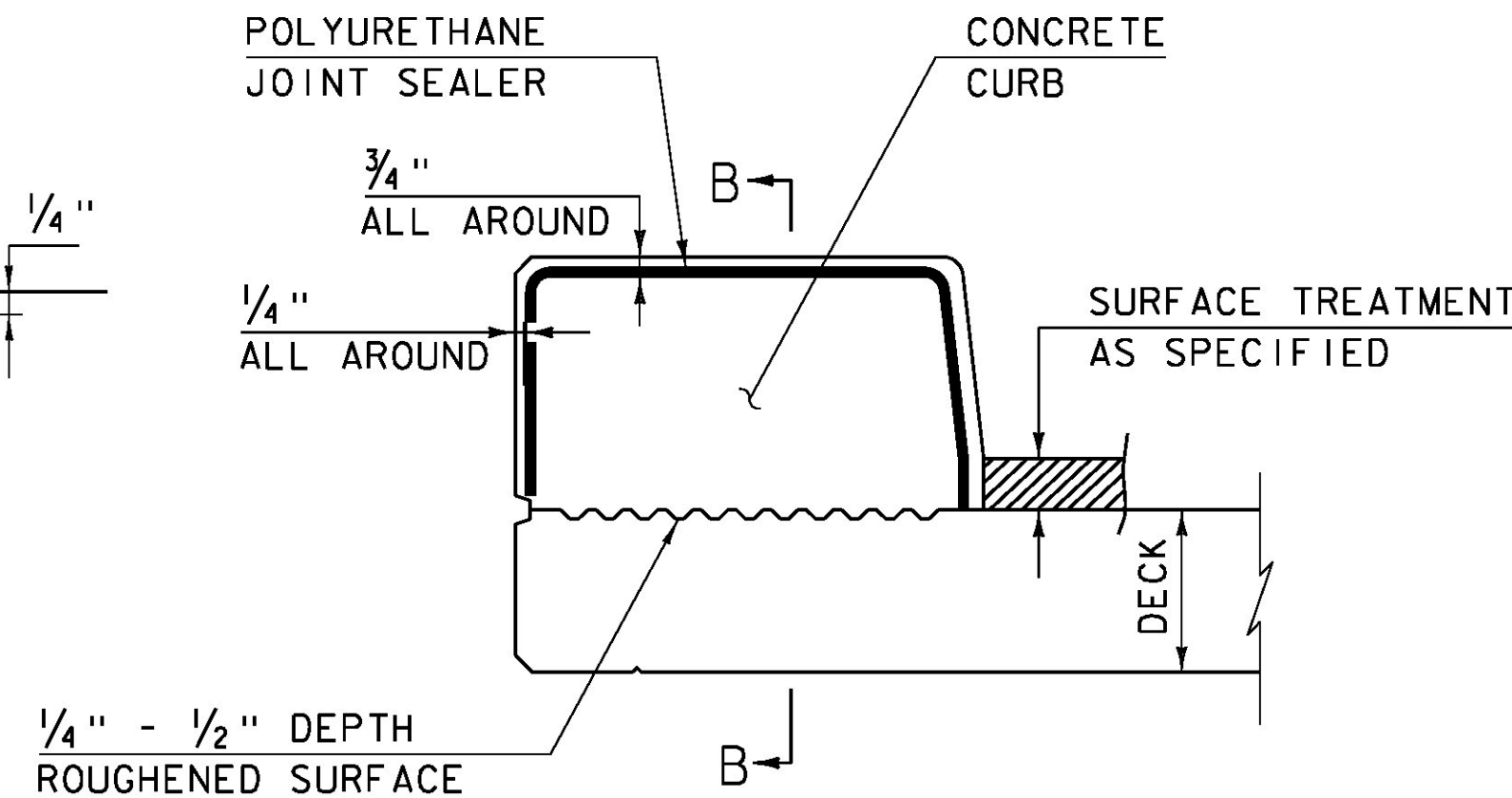
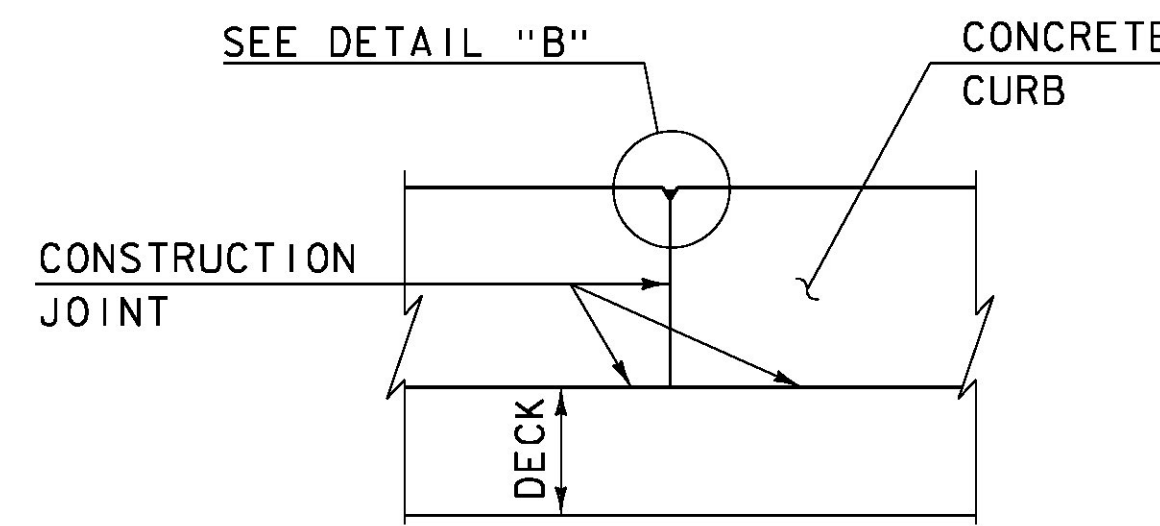


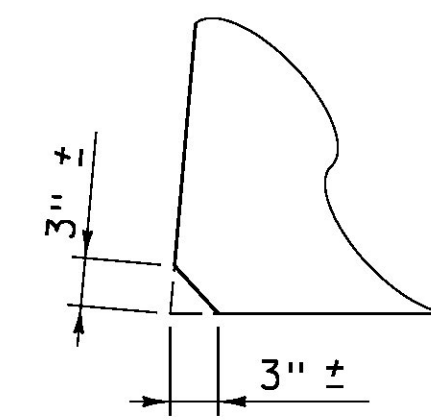
DETAIL "B"  
(NOT TO SCALE)



CONCRETE CURB JOINT SECTION  
(NOT TO SCALE)

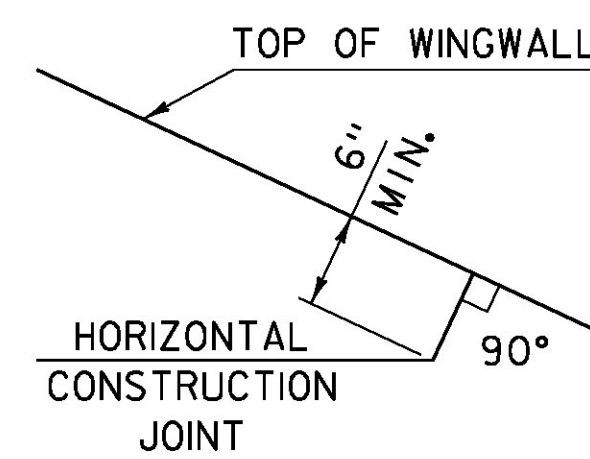


SECTION B - B  
(NOT TO SCALE)

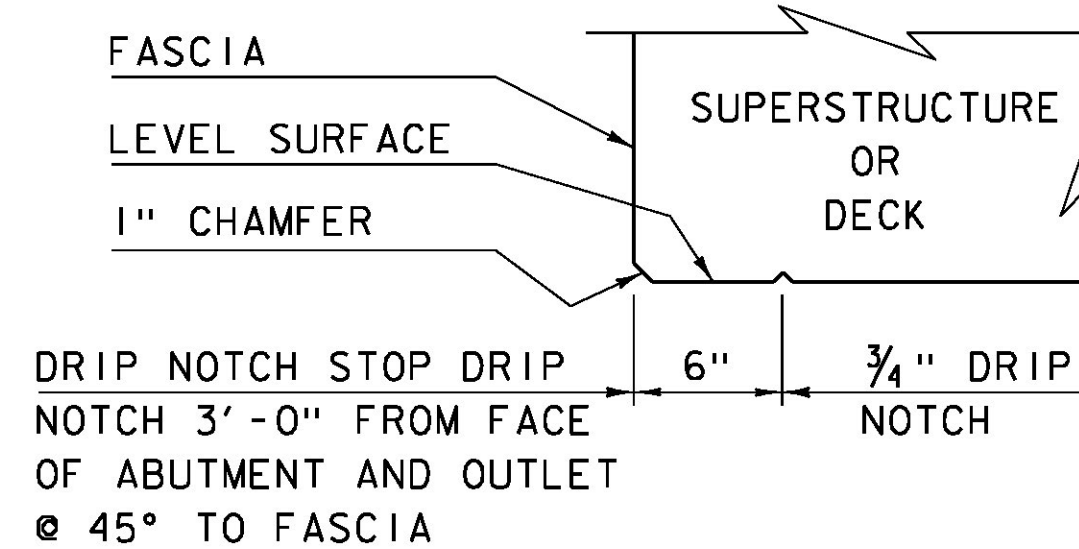


ACUTE ANGLE  
CLIP DETAIL  
(NOT TO SCALE)

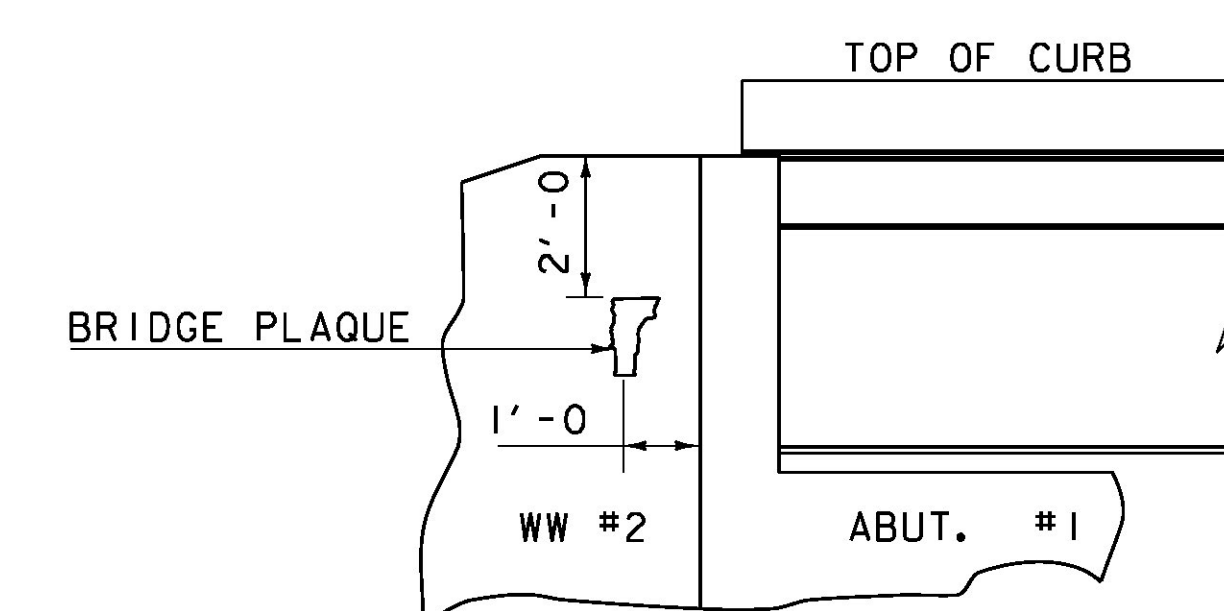
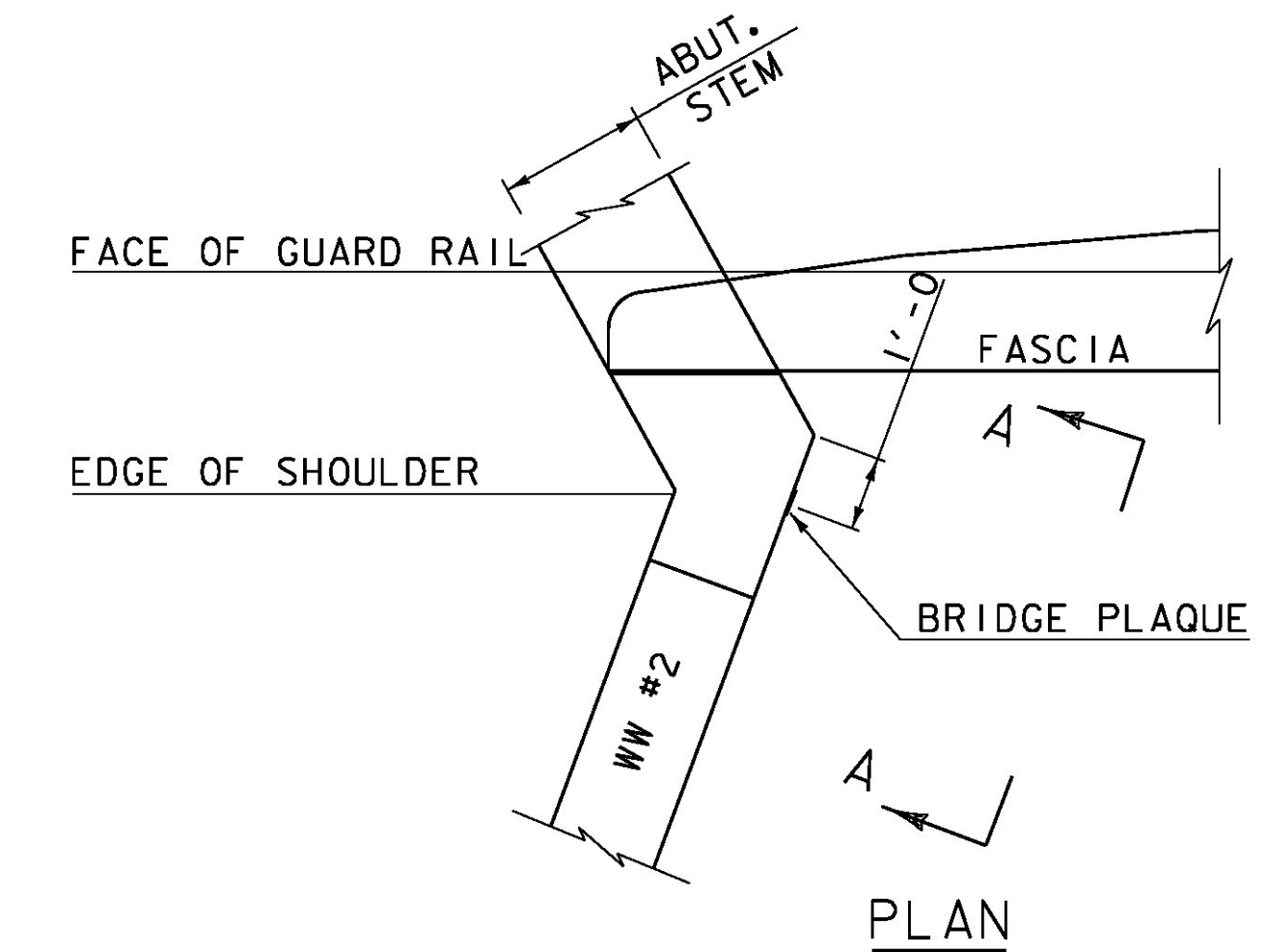
- SEE TYPICAL HORIZONTAL CONSTRUCTION JOINT DETAIL FOR ADDITIONAL INFORMATION



HORIZONTAL WINGWALL  
CONSTRUCTION JOINT  
(NOT TO SCALE)



DRIP NOTCH DETAIL  
(NOT TO SCALE)



VIEW "A - A"

BRIDGE PLAQUE  
(NOT TO SCALE)

THE BRIDGE PLAQUE WILL BE SUPPLIED BY THE AGENCY OF TRANSPORTATION AND SHALL BE INSTALLED BY THE CONTRACTOR AT ABUTMENT #1 ON THE RIGHT SIDE AS SHOWN OR AS DIRECTED BY THE ENGINEER.

PAYMENT FOR INSTALLATION OF THE BRIDGE PLAQUE SHALL BE INCIDENTAL TO THE ADJACENT CONCRETE.

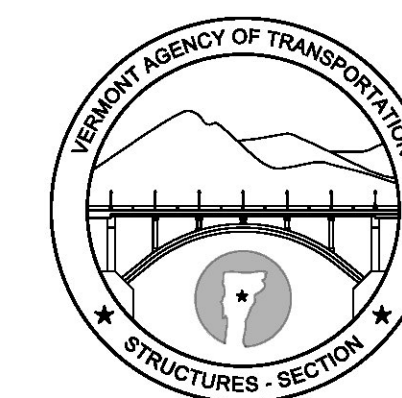
CONCRETE CURB JOINT NOTES

- CONCRETE CURBS MAY BE PLACED IN ONE CONTINUOUS OPERATION IF AN APPROVED SHRINKAGE REDUCING ADMIXTURE LISTED IN THE SPECIAL PROVISIONS IS USED WITH THE CONCRETE MIX DESIGN. PAYMENT FOR THE SHRINKAGE REDUCING ADMIXTURE WILL BE INCIDENTAL TO THE BRIDGE CURB CONCRETE ITEM.
- IF THE CONTRACTOR CHOOSES NOT TO USE AN APPROVED SHRINKAGE REDUCING ADMIXTURE, THE CURBS SHALL BE CONSTRUCTED WITH CONSTRUCTION JOINTS SPACED AT A MAXIMUM OF 15'-0" CENTER TO CENTER AND 2'-0" MINIMUM FROM THE CENTER OF NEAREST BRIDGE RAILING POST.
- ON MULTI-SPAN CONTINUOUS SUPERSTRUCTURES, REGARDLESS OF WHETHER APPROVED SHRINKAGE REDUCING ADMIXTURE IS USED, CURB JOINTS SHALL BE LOCATED OVER THE CENTERLINE OF PIERS AND 7'-0" EACH SIDE OF THE CENTERLINE OF EACH PIER.
- WHEN CURB JOINTS ARE USED THE CURBS SHALL BE PLACED IN ALTERNATE SECTIONS WITH A MINIMUM OF 48 HOUR DELAY BETWEEN ADJACENT PLACEMENTS.
- LONGITUDINAL REINFORCING SHALL BE CONTINUOUS THROUGH CURB CONSTRUCTION JOINTS. CURB STIRRUP BARS SHALL BE TURNED AS NECESSARY TO MAINTAIN COVER IN THE FLARED CURB ENDS.
- THE JOINT SPACING AND DETAILS SHOWN SHALL APPLY TO SIDEWALKS WHEN SHOWN IN THE PLANS.

REVISIONS

|                  |   |
|------------------|---|
| MAY 7, 2010      | APPROVED FOR USE BY VAOT STRUCTURES SECTION         |
| JUNE 4, 2010     | MODIFIED AND ADDED TWO DETAILS                      |
| OCTOBER 10, 2012 | MODIFIED HORZ. JOINT WINGWALL ADD 6" MIN. DIMENSION |
|                  |   |
|                  |   |
|                  |   |
|                  |   |

CONCRETE  
DETAILS AND NOTES



STRUCTURES  
DETAIL  
SD-502.00