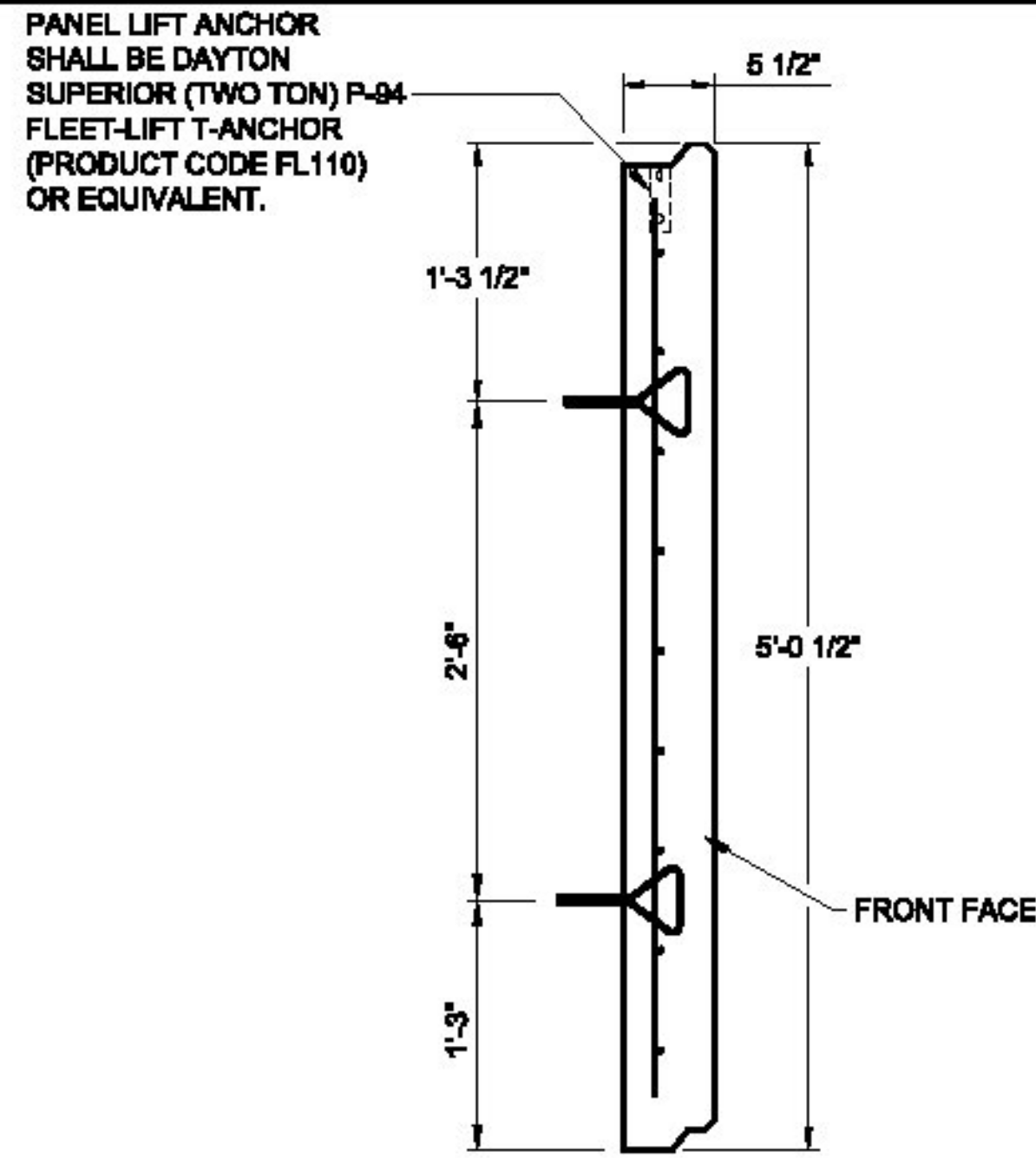


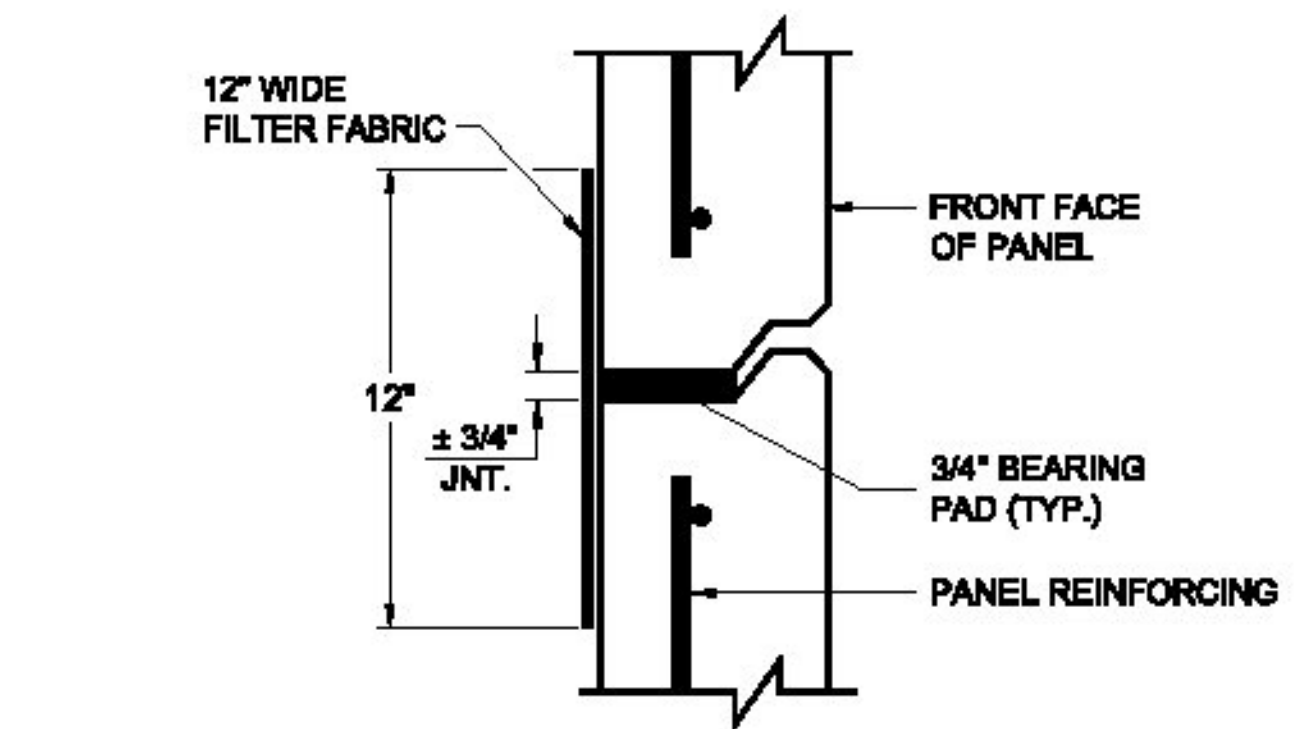
- NOTE:**
1. MINIMUM 2" COVER AT ALL EDGES
 2. CENTER MESH IN FORM
 3. TRIM AS REQUIRED
 4. WWR COMPRISED OF D4.5 VERTICAL & D7.0 HORIZONTAL

A
9
STANDARD RECTANGULAR REINFORCEMENT
BACK FACE

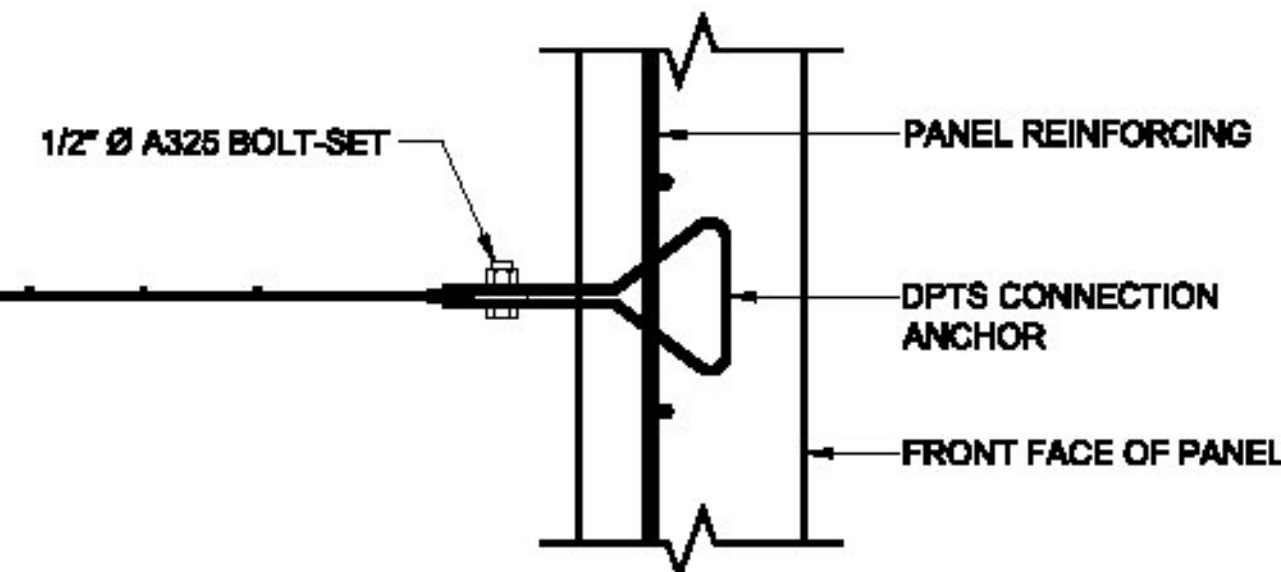


NOTE: THICKNESS OF PANEL SHALL INCREASE TO ACCOMMODATE ANY REQUIRED ARCHITECTURAL FINISH

C
9
STANDARD RECTANGULAR PANEL
SECTION VIEW

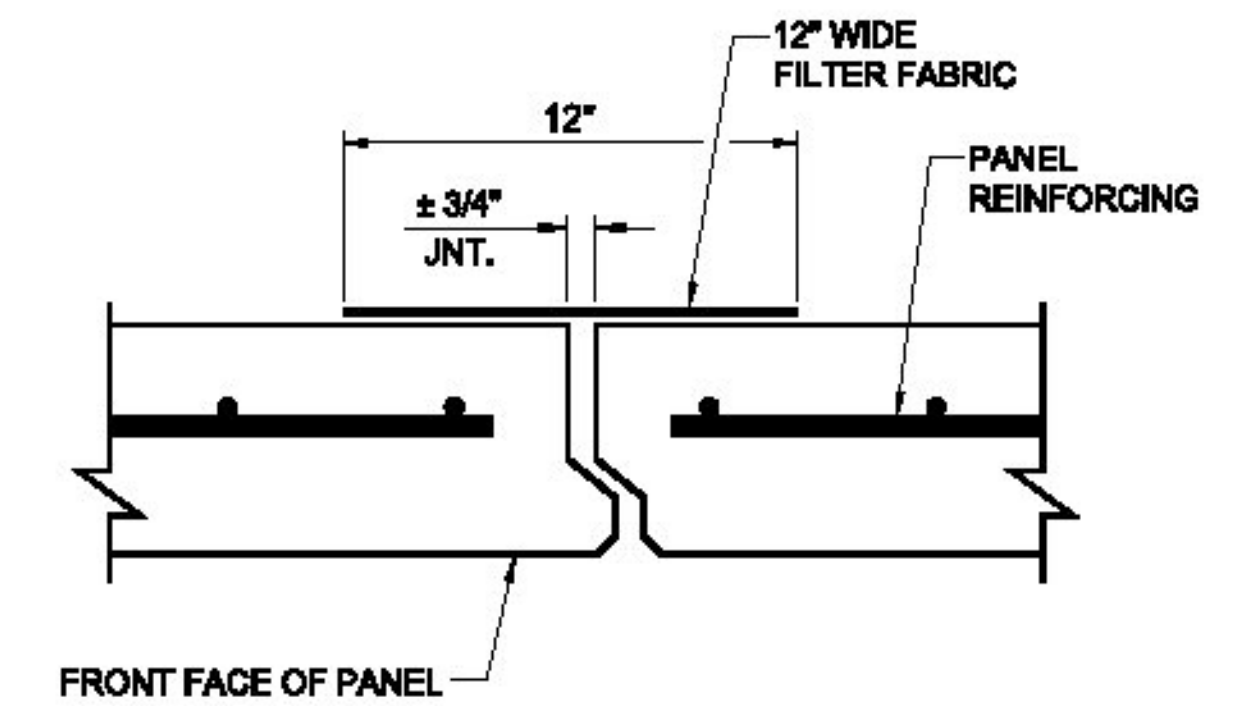


F
9
HORIZONTAL JOINT DETAIL - (TYP.)
PARTIAL SECTION

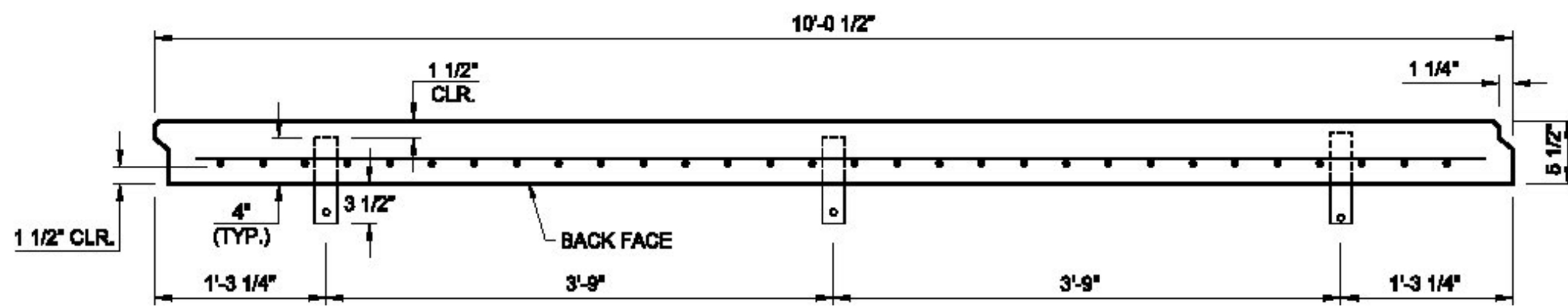


NOTE: BOLT-SET NUT SHALL ALWAYS BE INSTALLED ON TOP OF PANEL ANCHOR (AS SHOWN).

D
9
CONNECTION DETAIL (TYP.)
PARTIAL SECTION



G
9
VERTICAL JOINT DETAIL - (TYP.)
PARTIAL SECTION



B
9
ANCHOR PLACEMENT
SECTION VIEW

REV	DESCRIPTION	BY	DATE
PROPRIETARY AND CONFIDENTIAL			
THIS DRAWING IS SOLE PROPERTY OF BIG R MANUFACTURING, LLC AND CONTAINS PROPRIETARY INFORMATION FOR USE WITH THIS PROJECT ONLY. ANY REPRODUCTION IN PART OR AS A WHOLE WITHOUT WRITTEN PERMISSION IS STRICTLY PROHIBITED.			



VISTAWALL SYSTEMS
P.O. Box 1290 • Greeley, Colorado 80632-1290
(970) 356-9600 • Fax:(970) 356-9621 • www.bigrbridge.com

PROPOSED IMPROVEMENT BRIDGE PROJECT
TOWN OF ST. JOHNSBURY COUNTY OF CALEDONIA
VT ROUTE 2B BRIDGE NO. 6

STANDARD COMPONENT DETAILS
SHEET 1 OF 8
SCP MSE RETAINING WALL
GRID-STRIP SOIL REINFORCING

THE DESIGN CONTAINED HEREIN IS BASED ON INFORMATION SUPPLIED BY OTHERS. BIG R BRIDGE IS CERTIFYING INTERNAL STABILITY OF THE STRUCTURE ONLY. EXTERNAL AND GLOBAL STABILITY REQUIREMENTS ARE THE RESPONSIBILITY OF OTHERS

REFERENCE DRAWINGS <i>NOT FOR CONSTRUCTION</i>	VW15-00388
	DESIGNED BY CDA
	DRAWN BY ARO
	CHECKED BY CDA
SHEET NO.	
9	
OF	
16	