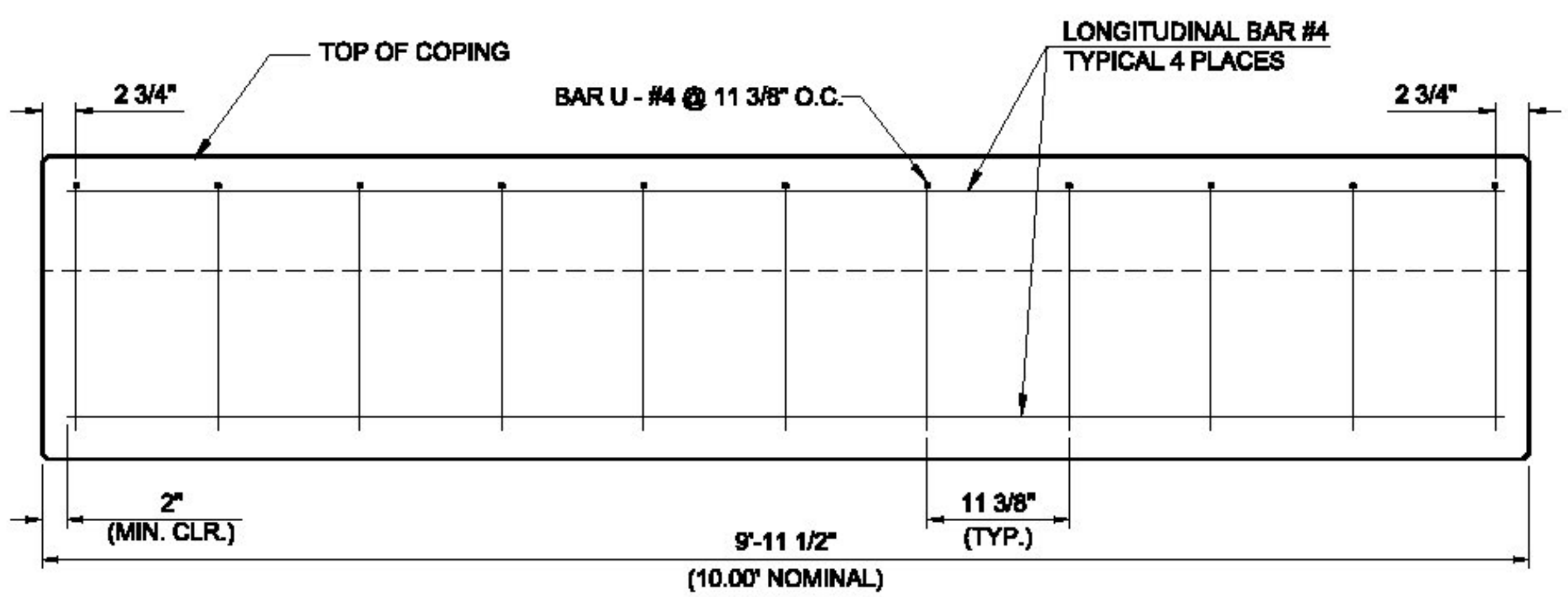
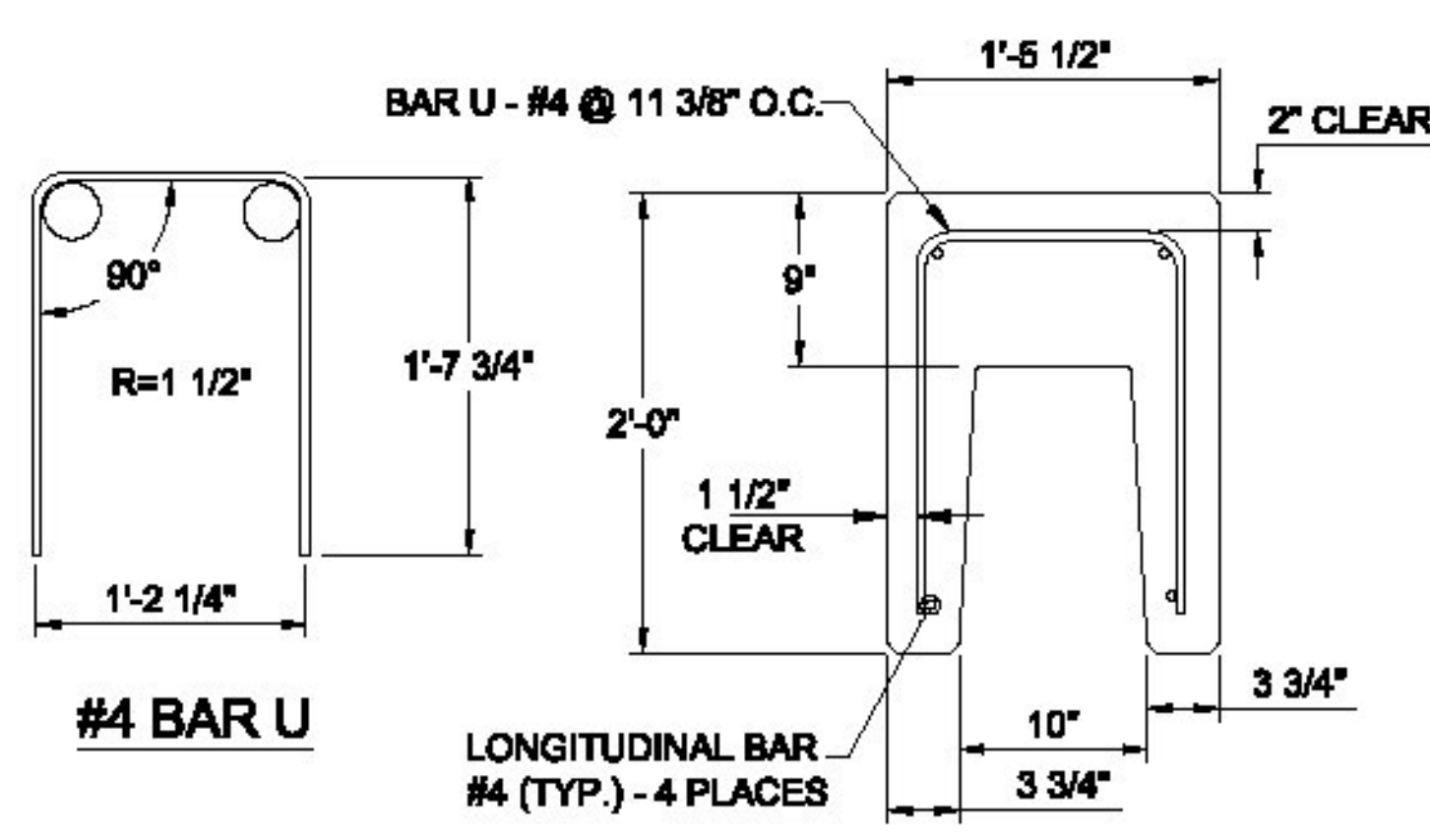
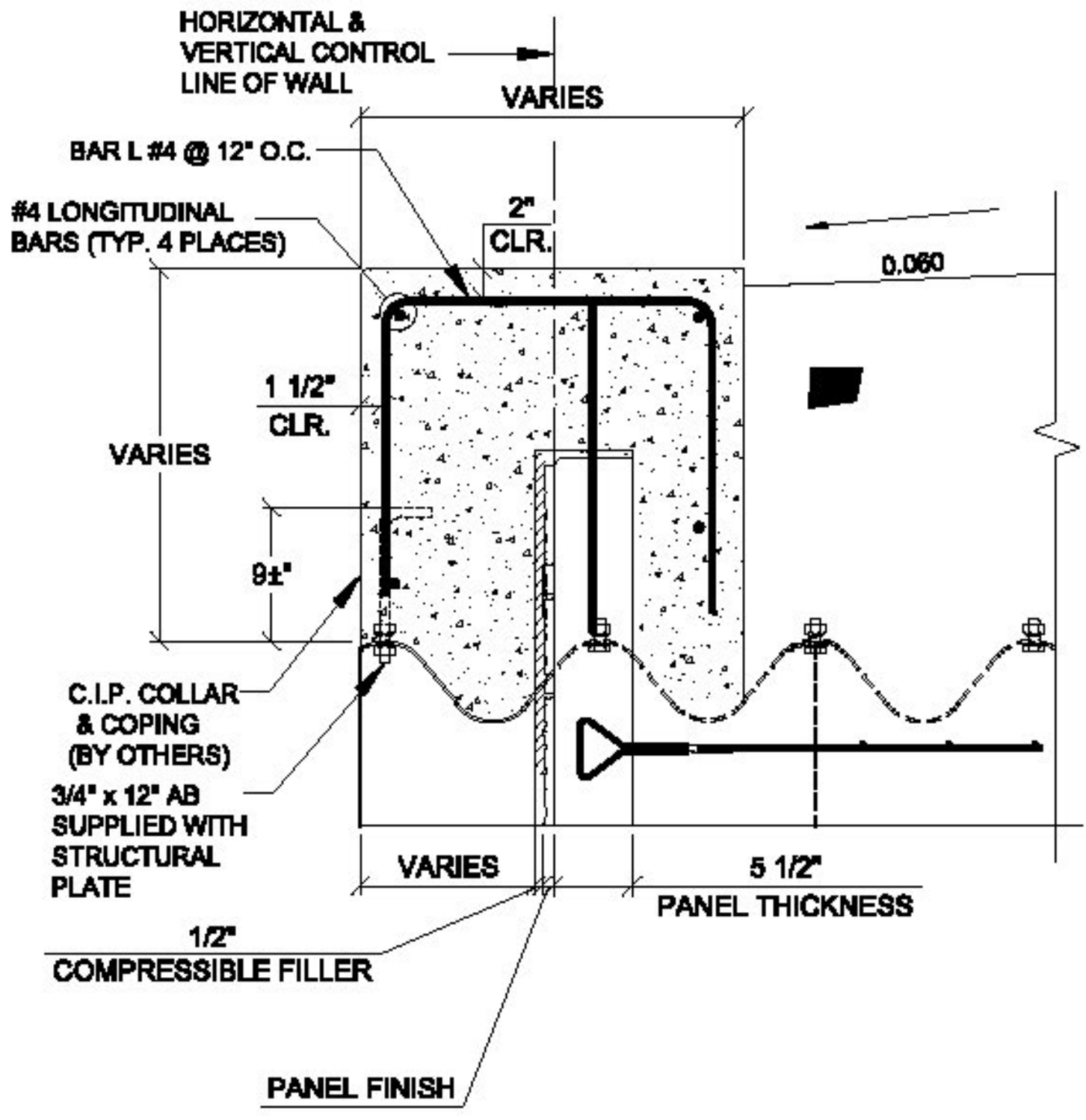


1 PRECAST COPING
6 SECTION VIEW

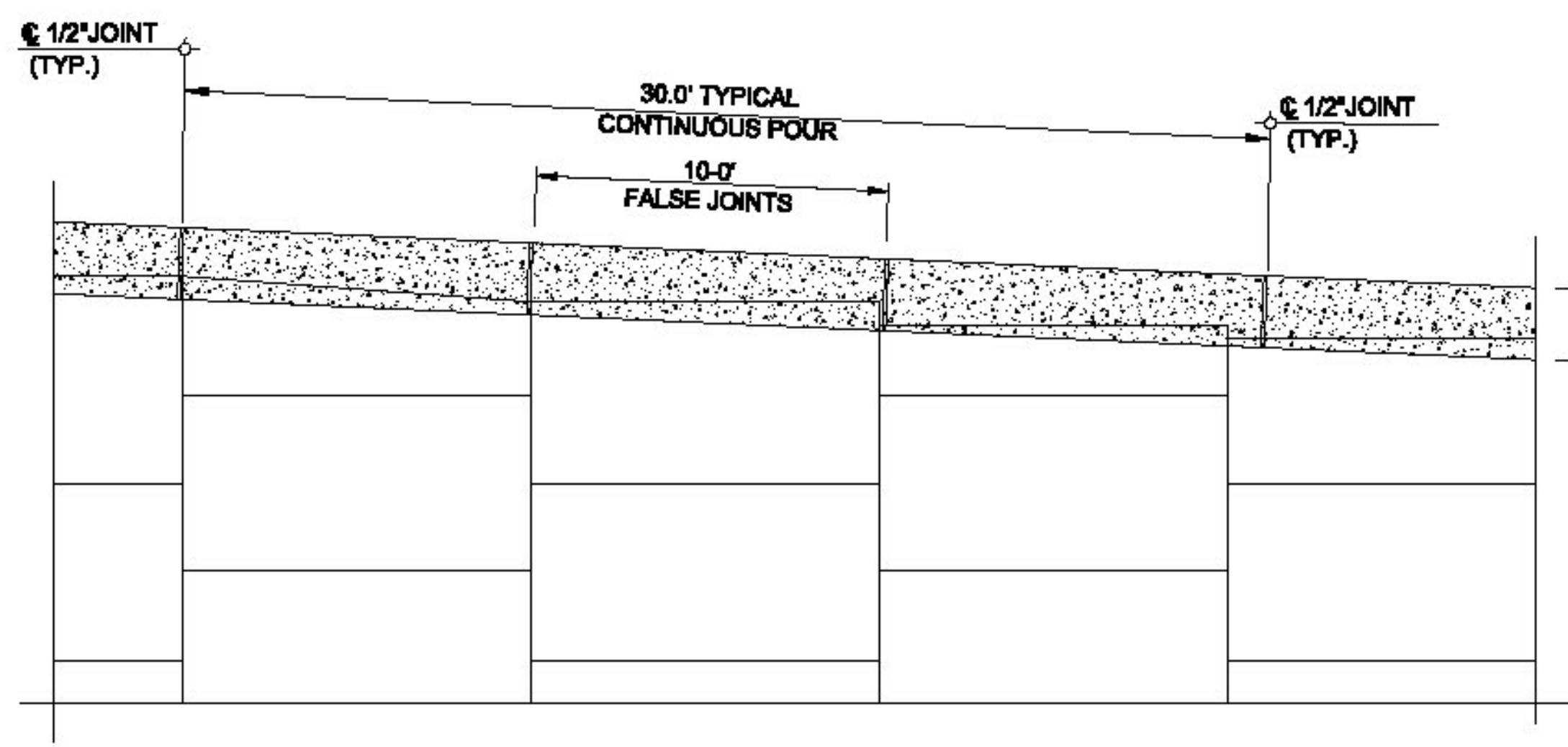


3 PRECAST COPING - REINFORCING PLACEMENT
6

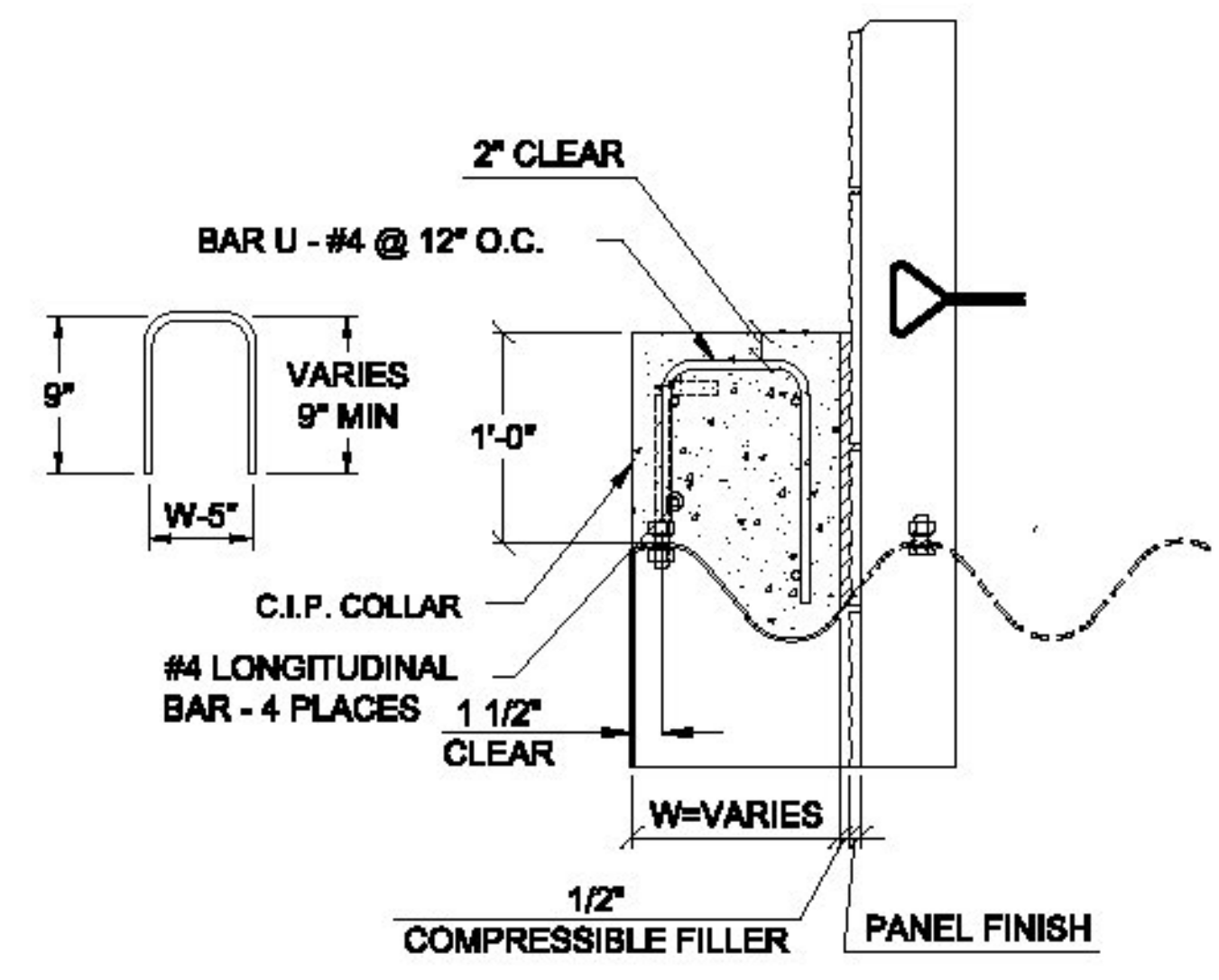
NOTES:
 1. ALL LONGITUDINAL BARS ARE #4 PLACED AS SHOWN WITH EQUAL SPACING.
 2. ALL DIMENSIONS ARE TO CENTER OF BAR UNLESS OTHERWISE NOTED.
 3. MINIMUM COMPRESSIVE STRENGTH OF CONCRETE SHALL BE 6000 PSI FOR PRECAST AND 3600 PSI FOR CAST IN PLACE.



2 C.I.P. COPING
6 SECTION VIEW



4 PARTIAL ELEV. C.I.P. COPING
6 SECTION VIEW



5 COLLAR REINFORCING
6 SECTION VIEW

REV	DESCRIPTION	BY	DATE
PROPRIETARY AND CONFIDENTIAL THIS DRAWING IS SOLE PROPERTY OF BIG R MANUFACTURING, LLC AND CONTAINS PROPRIETARY INFORMATION FOR USE WITH THIS PROJECT ONLY. ANY REPRODUCTION IN PART OR AS A WHOLE WITHOUT WRITTEN PERMISSION IS STRICTLY PROHIBITED.			

VISTAWALL SYSTEMS
 P.O. Box 1290 • Greeley, Colorado 80632-1290
 (970) 356-9600 • Fax:(970) 356-9621 • www.bigrbridge.com

PROPOSED IMPROVEMENT BRIDGE PROJECT
 TOWN OF ST. JOHNSBURY COUNTY OF CALEDONIA
 VT ROUTE 2B BRIDGE NO. 6

COPING SECTIONS & DETAILS
 SCP MSE RETAINING WALL
 GRID-STRIP SOIL REINFORCING

THE DESIGN CONTAINED HEREIN IS BASED ON INFORMATION SUPPLIED BY OTHERS. BIG R BRIDGE IS CERTIFYING INTERNAL STABILITY OF THE STRUCTURE ONLY. EXTERNAL AND GLOBAL STABILITY REQUIREMENTS ARE THE RESPONSIBILITY OF OTHERS

REFERENCE DRAWINGS NOT FOR CONSTRUCTION

VW15-00388
DESIGNED BY CDA
DRAWN BY ARO
CHECKED BY CDA
SHEET NO. 6 OF 16