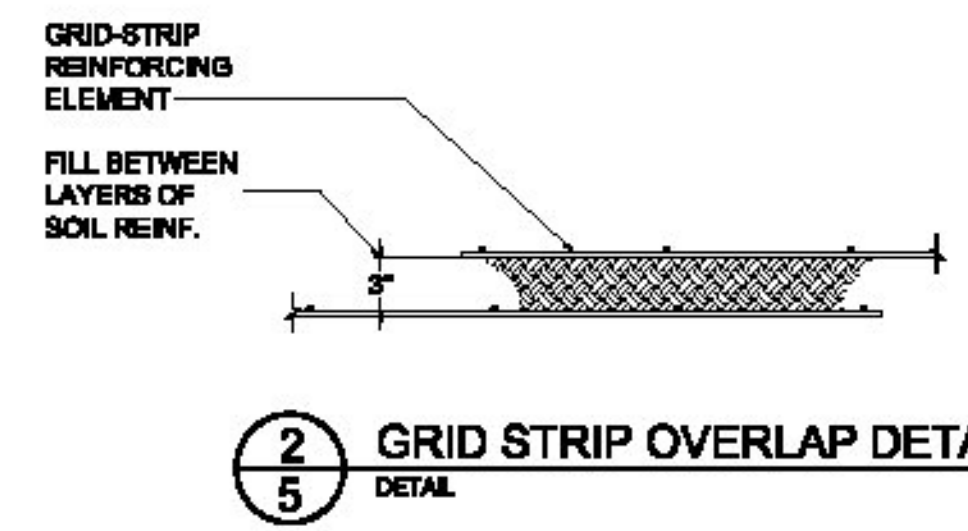
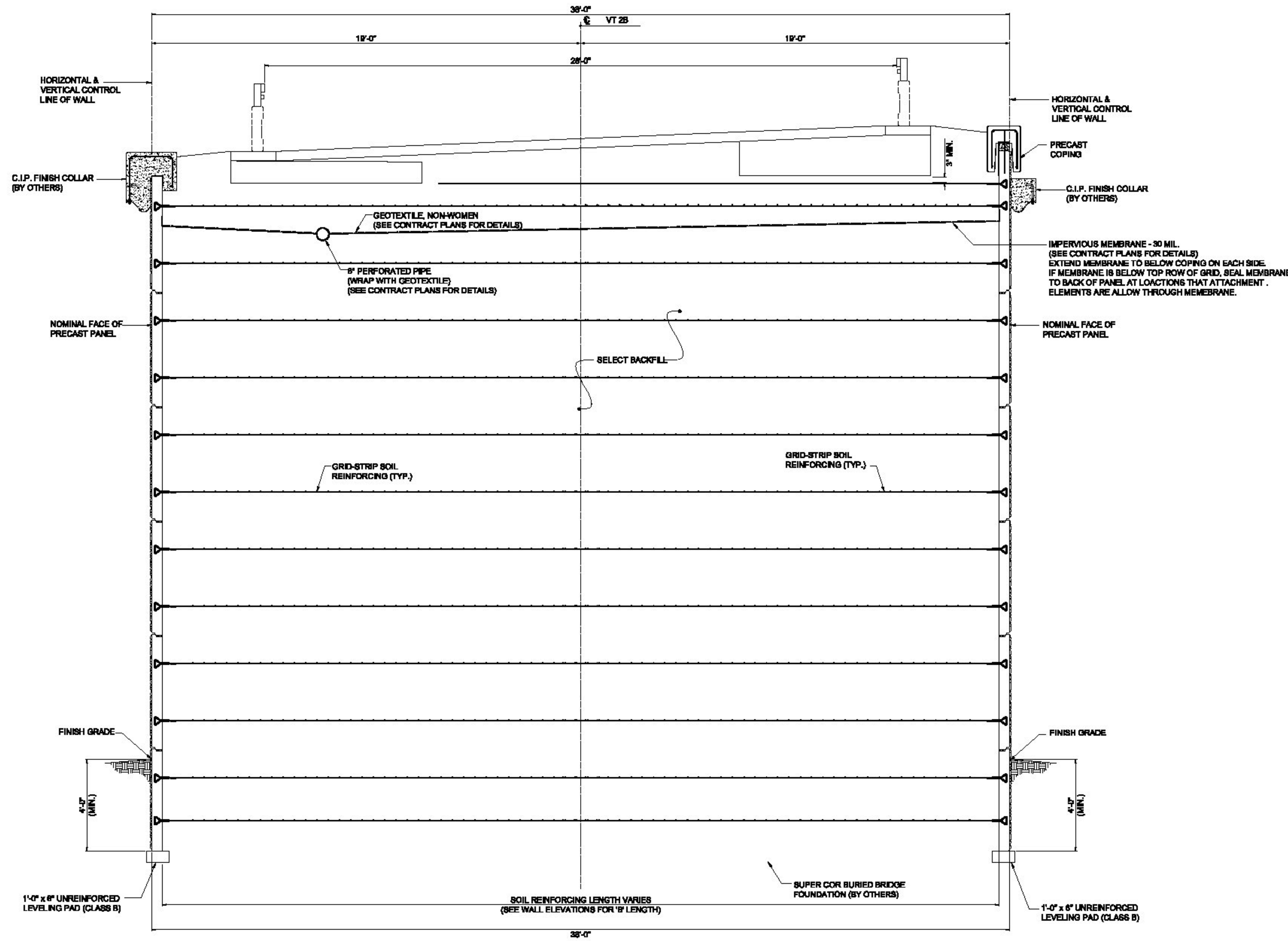


4/8/2016 2:05 PM

K:\2015\vw_2015-00388 St. Johnsbury, VT\2015-00388 BASE REVISED 4-8-16.dwg



1
5 TYPICAL MSE WALL SECTION
SECTION VIEW

REV	DESCRIPTION	BY	DATE
PROPRIETARY AND CONFIDENTIAL THIS DRAWING IS SOLE PROPERTY OF BIG R MANUFACTURING, LLC AND CONTAINS PROPRIETARY INFORMATION FOR USE WITH THIS PROJECT ONLY. ANY REPRODUCTION IN PART OR AS A WHOLE WITHOUT WRITTEN PERMISSION IS STRICTLY PROHIBITED.			

VISTAWALL SYSTEMS
 P.O. Box 1290 • Greeley, Colorado 80632-1290
 (970) 356-9600 • Fax:(970) 356-9621 • www.bigrbridge.com

PROPOSED IMPROVEMENT BRIDGE PROJECT
 TOWN OF ST. JOHNSBURY COUNTY OF CALEDONIA
 VT ROUTE 2B BRIDGE NO. 6

TYPICAL SECTIONS
 SCP MSE RETAINING WALL
 GRID-STRIP SOIL REINFORCING

THE DESIGN CONTAINED HEREIN IS BASED ON INFORMATION SUPPLIED BY OTHERS. BIG R BRIDGE IS CERTIFYING INTERNAL STABILITY OF THE STRUCTURE ONLY. EXTERNAL AND GLOBAL STABILITY REQUIREMENTS ARE THE RESPONSIBILITY OF OTHERS

REFERENCE DRAWINGS NOT FOR CONSTRUCTION

VW15-00388
DESIGNED BY CDA
DRAWN BY ARO
CHECKED BY CDA
SHEET NO. 5 OF 16