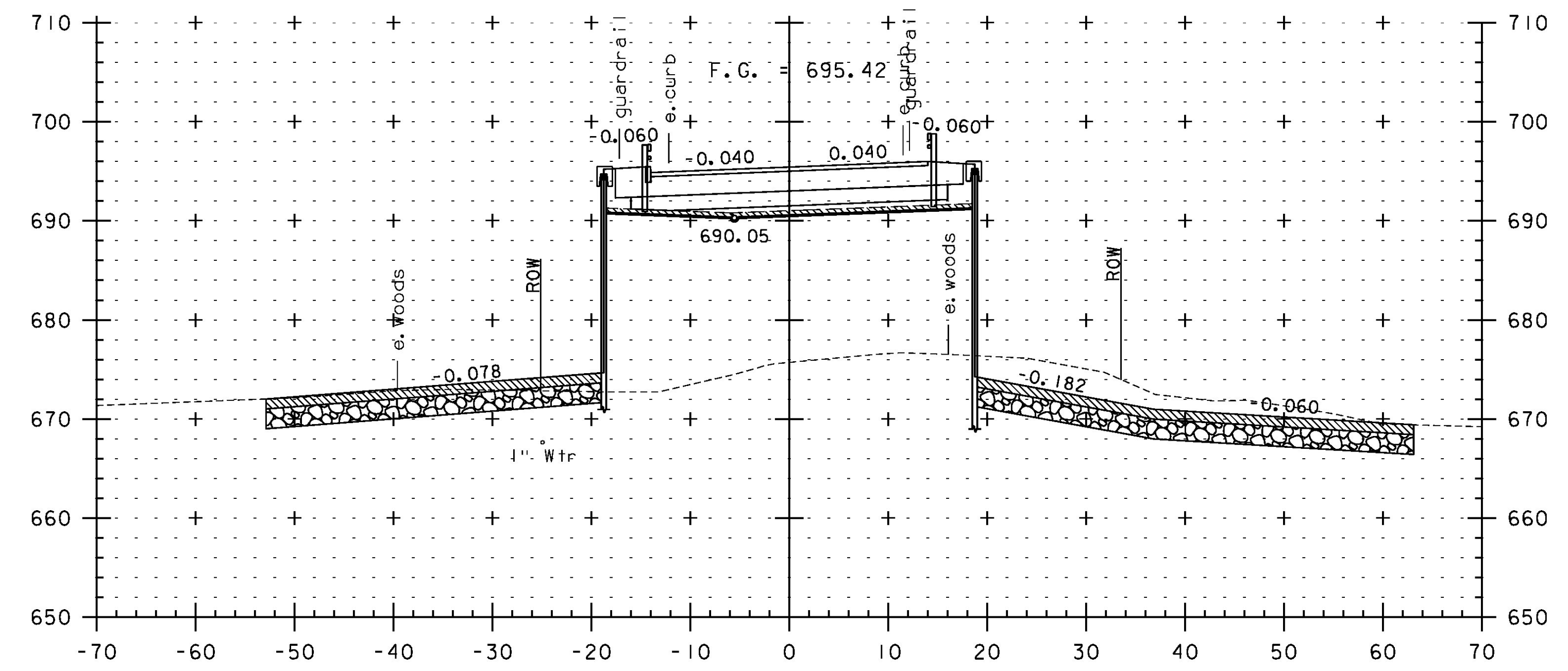
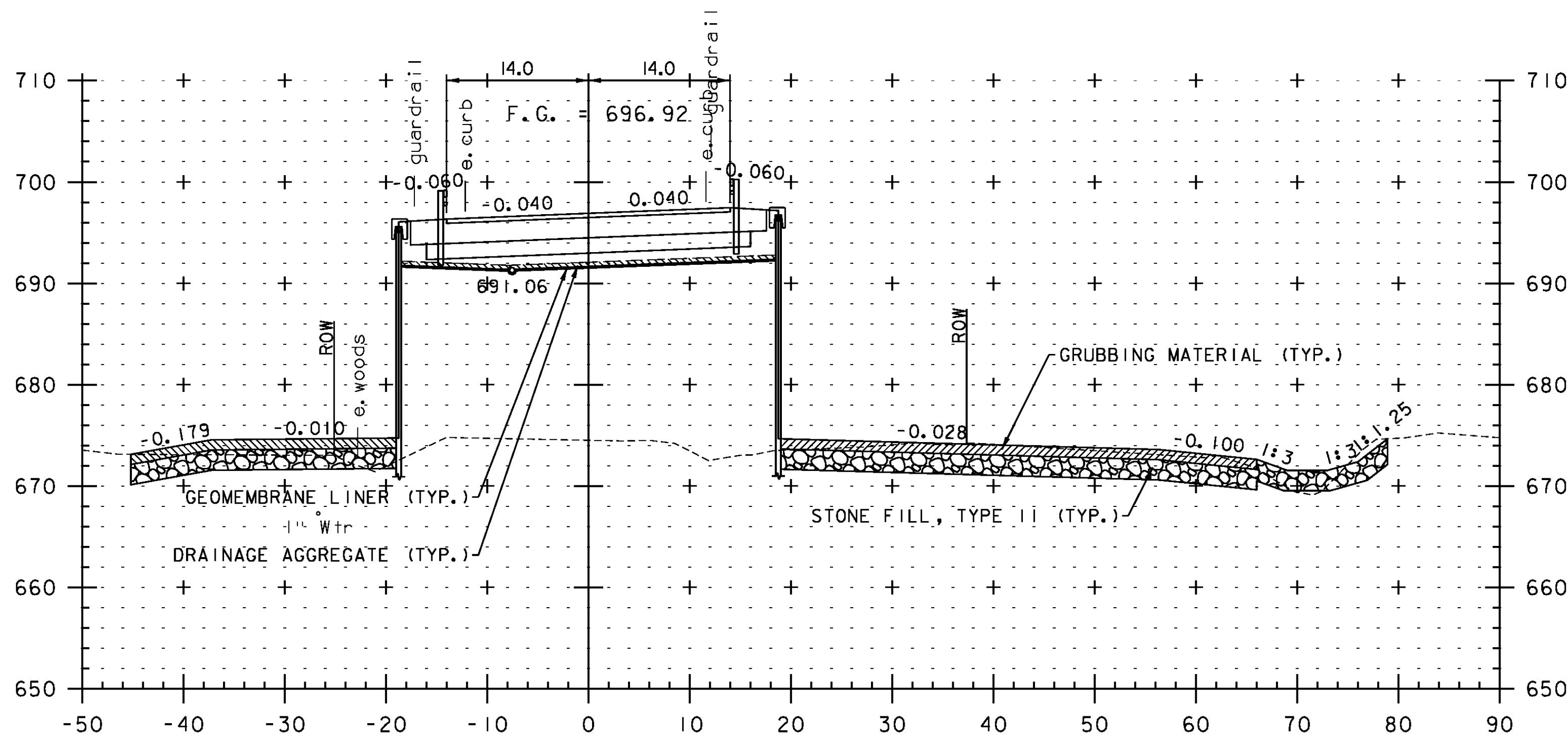


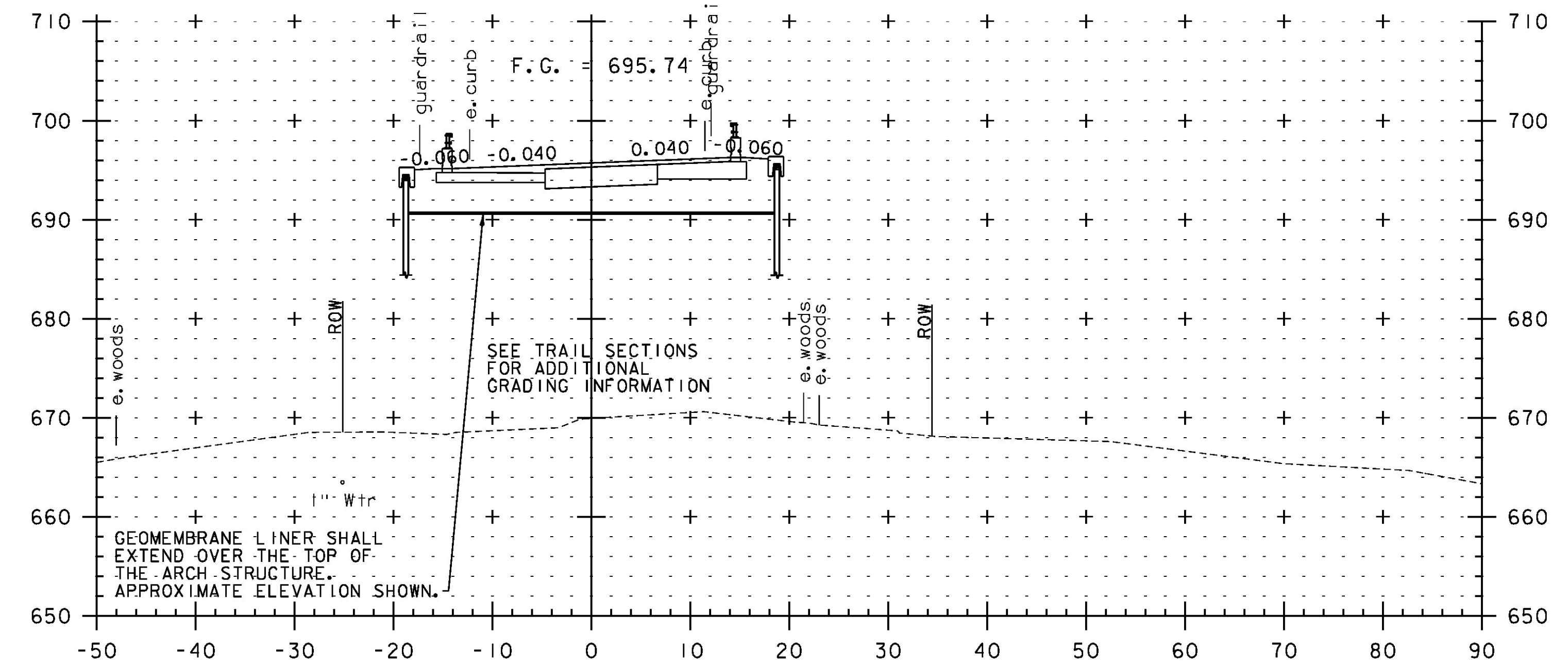
62+75



63+11.16
END BRIDGE

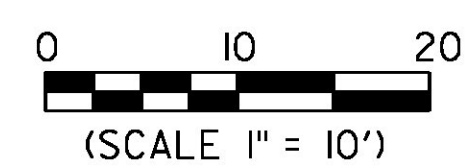


62+63.21
BEGIN BRIDGE



63+00

STA. 62+63.21 TO STA. 63+11.16



PROJECT NAME:	ST. JOHNSBURY	PLOT DATE:	10/27/2016
PROJECT NUMBER:	BF 7000(20)	DRAWN BY:	M. HALEY
FILE NAME:	86e048/cos/z86e048xs.dgn	CHECKED BY:	P. SHEDD
PROJECT LEADER:	J. BYATT		
DESIGNED BY:	M. HALEY		
VT 2B CROSS SECTIONS	3	SHEET	55 OF 70

CLD 14-016 MODEL: MAINLINE XS03