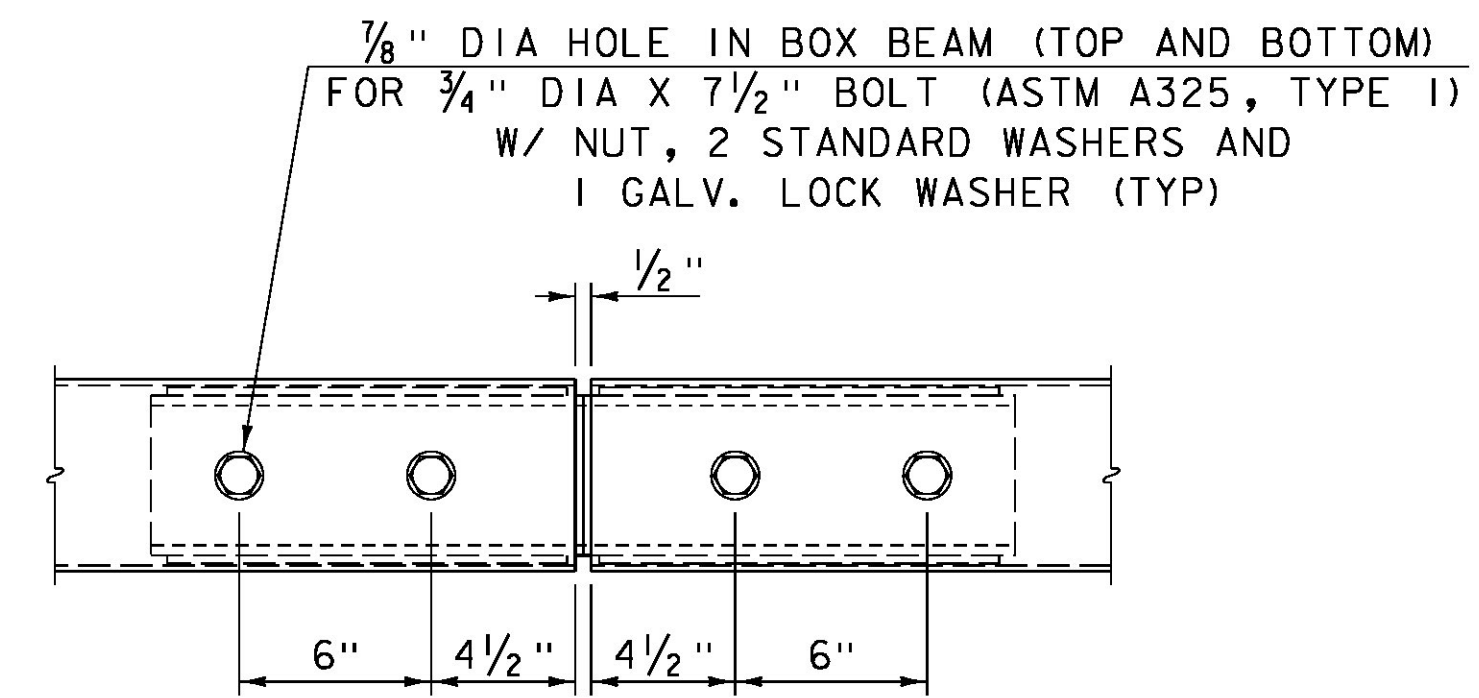
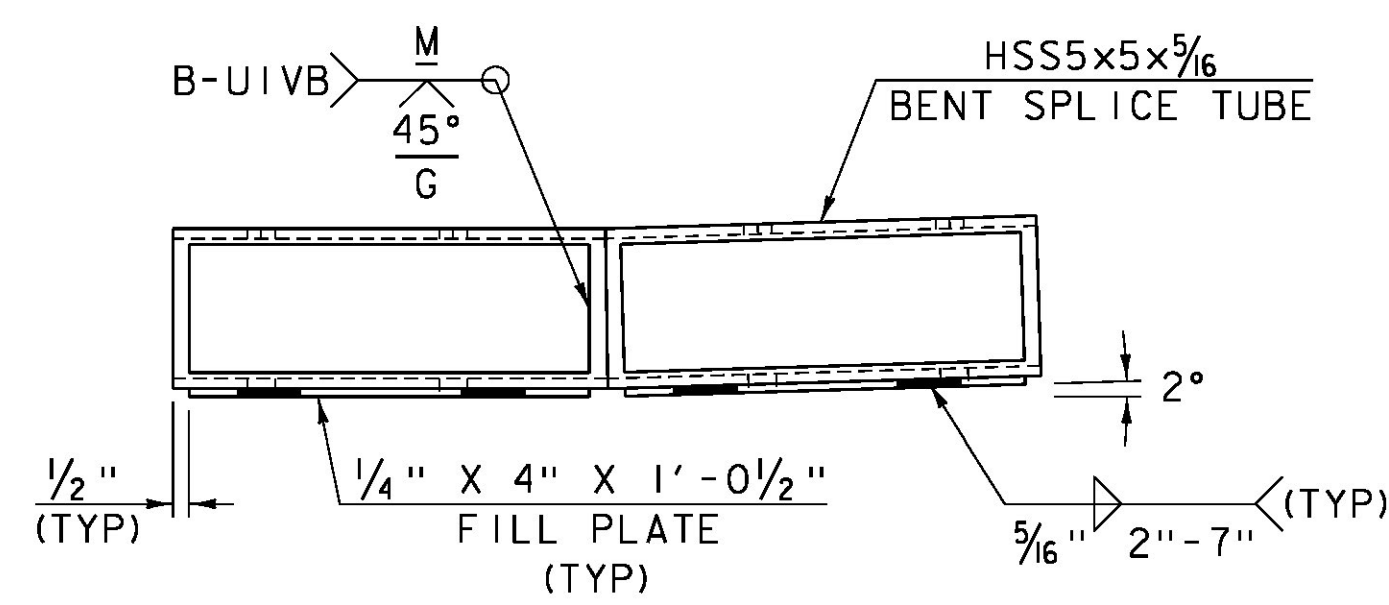


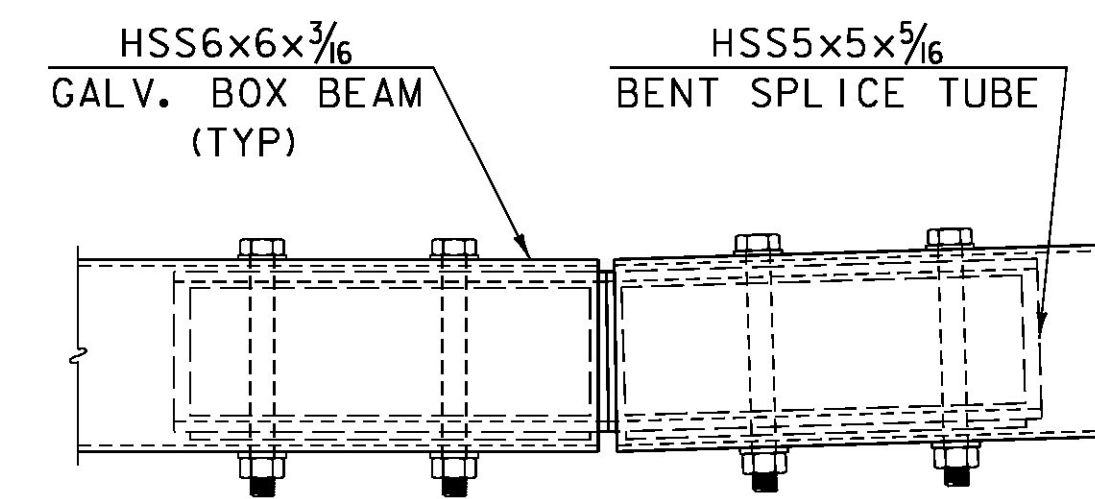
FIXED SPLICE TUBE PLAN
NOT TO SCALE



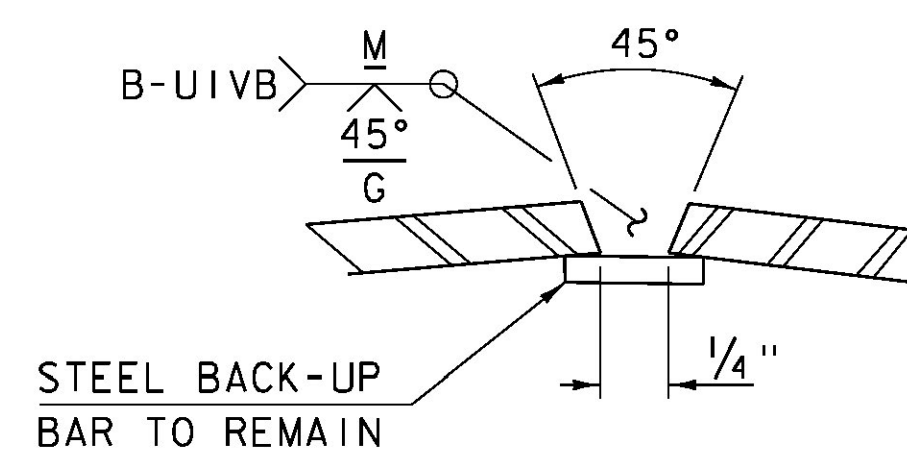
FIXED SPLICE ASSEMBLY PLAN
NOT TO SCALE



FIXED SPLICE TUBE ELEVATION
NOT TO SCALE



FIXED SPLICE ASSEMBLY ELEVATION
NOT TO SCALE



WELD DETAIL
FOR SPLICE TUBE
NOT TO SCALE

MODEL: Sheet06
CLD 14-016



PROJECT NAME:	ST. JOHNSBURY	PLOT DATE:	10/26/2016
PROJECT NUMBER:	BF 7000(20)	DRAWN BY:	M. SMITH
FILE NAME:	86e048/cos/z86e048rail.dgn	DESIGNED BY:	M. SMITH
PROJECT LEADER:	J. BYATT	CHECKED BY:	S. BEAUMONT
APPROACH RAIL DETAILS SHEET 4		SHEET	51 OF 70