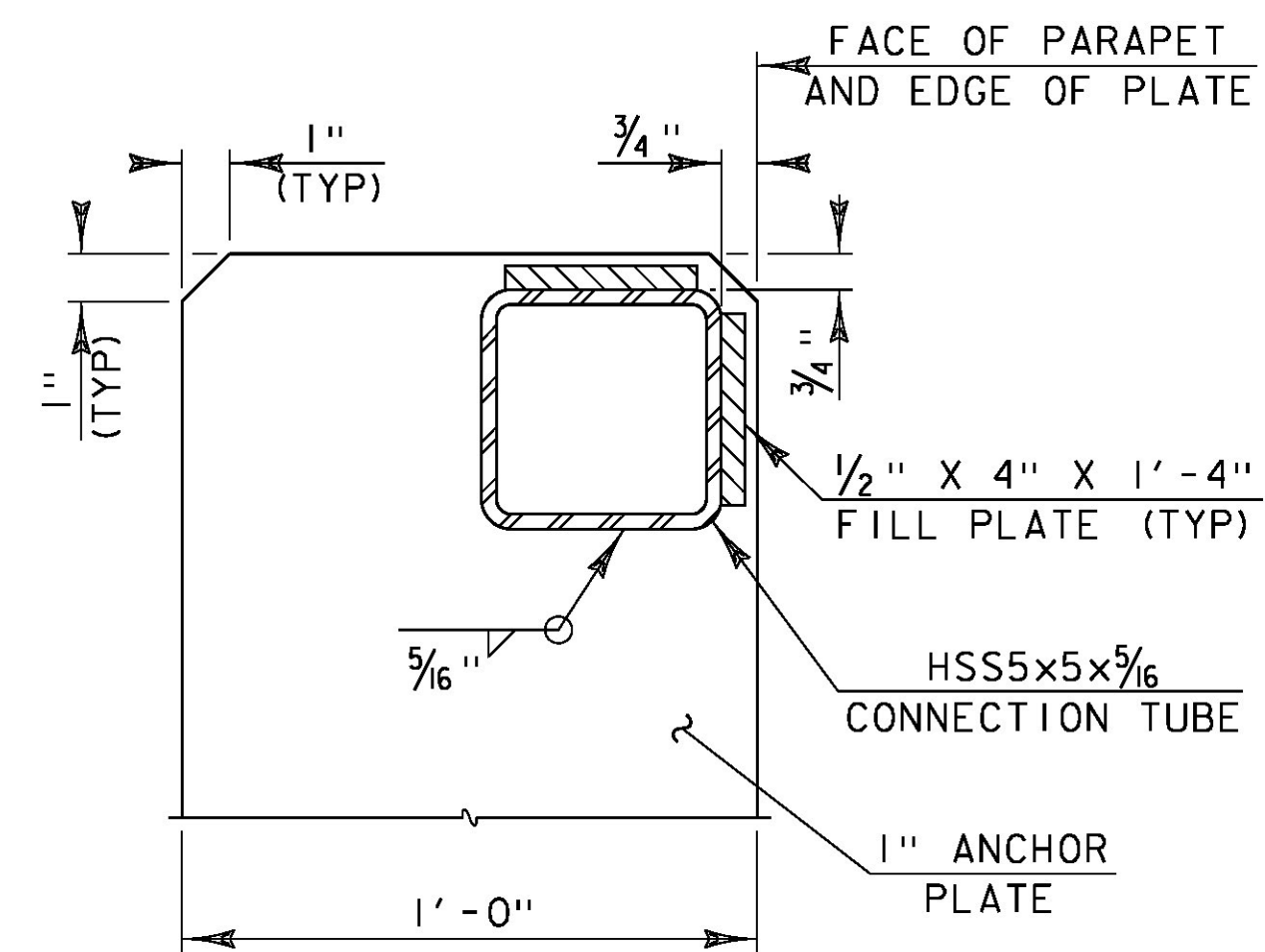
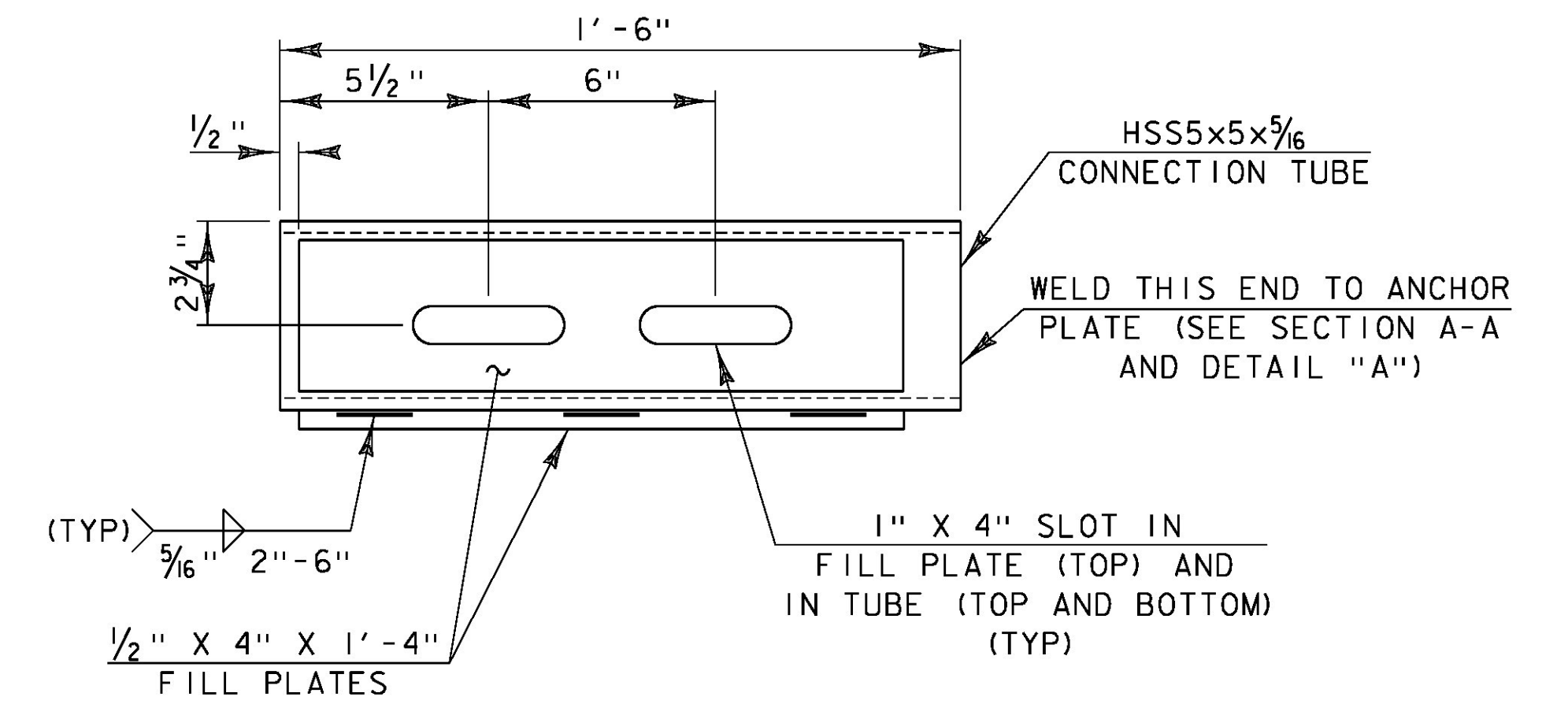


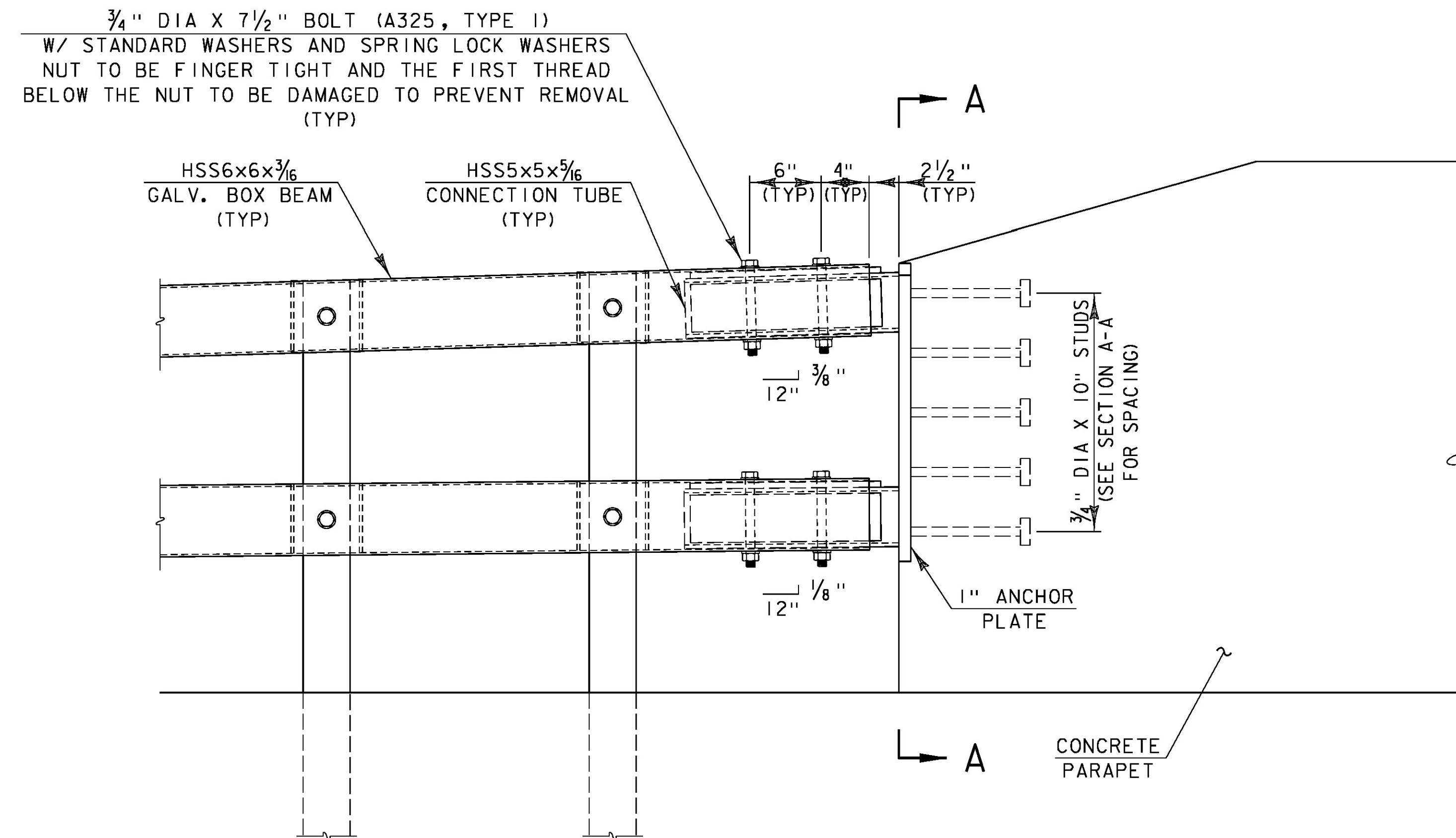
SECTION A-A  
NOT TO SCALE



DETAIL "A"  
NOT TO SCALE



CONNECTION TUBE DETAIL PLAN  
NOT TO SCALE



APPROACH RAIL CONNECTION DETAIL  
NOT TO SCALE

MODEL: Sheet04  
CLD 14-016



PROJECT NAME:	ST. JOHNSBURY	PLOT DATE:	10/26/2016
PROJECT NUMBER:	BF 7000(20)	DRAWN BY:	M. SMITH
FILE NAME:	86e048/cos/z86e048rail.dgn	CHECKED BY:	S. BEAUMONT
PROJECT LEADER:	J. BYATT	APPROACH RAIL DETAILS SHEET 2	SHEET 49 OF 70
DESIGNED BY:	M. SMITH		