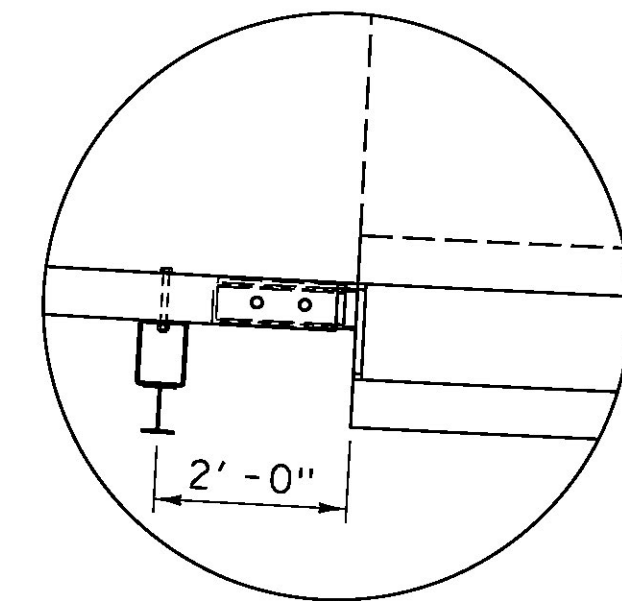
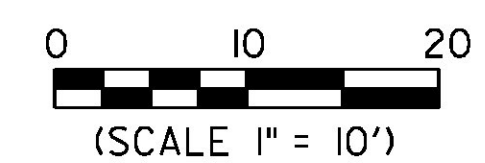


**NOTE:**

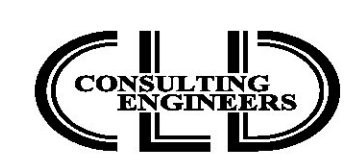
1. SEE STANDARDS G-1bM, G-19, S-352A, S-352B, AND S-352C AND BRIDGE AND APPROACH RAIL DETAIL SHEETS 46 THROUGH 50.
2. SEE NOTE 39 ON SHEET 10.



**DETAIL A**  
SCALE: 1/2" = 1'-0"



**RAIL LAYOUT PLAN**  
SCALE: 1" = 10'-0"



PROJECT NAME:	ST. JOHNSBURY	PLOT DATE:	10/26/2016
PROJECT NUMBER:	BF 7000(20)	DRAWN BY:	M. SMITH
FILE NAME:	86e048/cos/z86e048rail.dgn	DESIGNED BY:	M. SMITH
PROJECT LEADER:	J. BYATT	CHECKED BY:	S. BEAUMONT
RAIL LAYOUT SHEET			SHEET 46 OF 70

MODEL: Sheet01  
CLD 14-016