

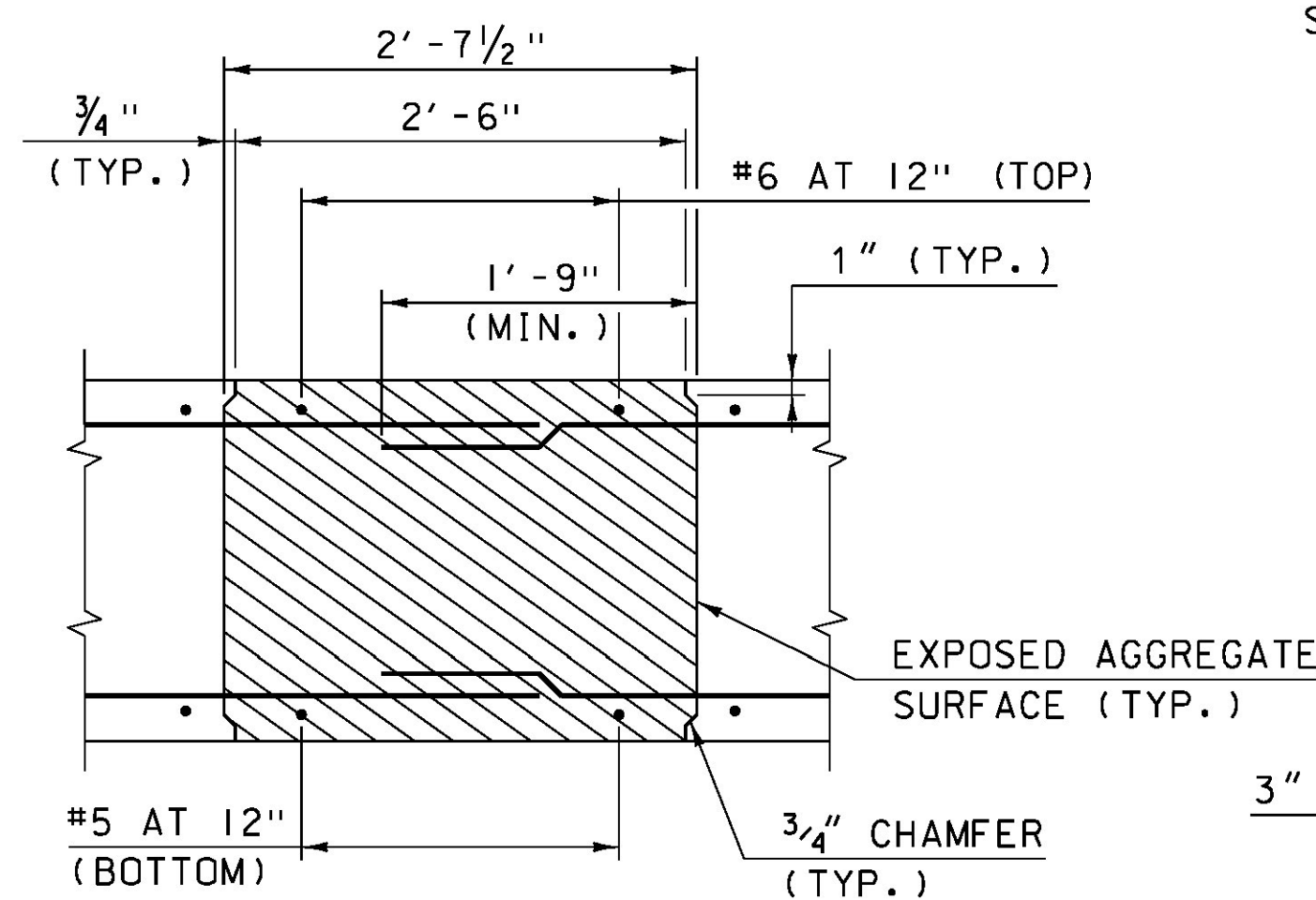
WEST SPREAD FOOTING PLAN
SCALE: 1/2" = 1'-0"

SPREAD FOOTING DIMENSIONS

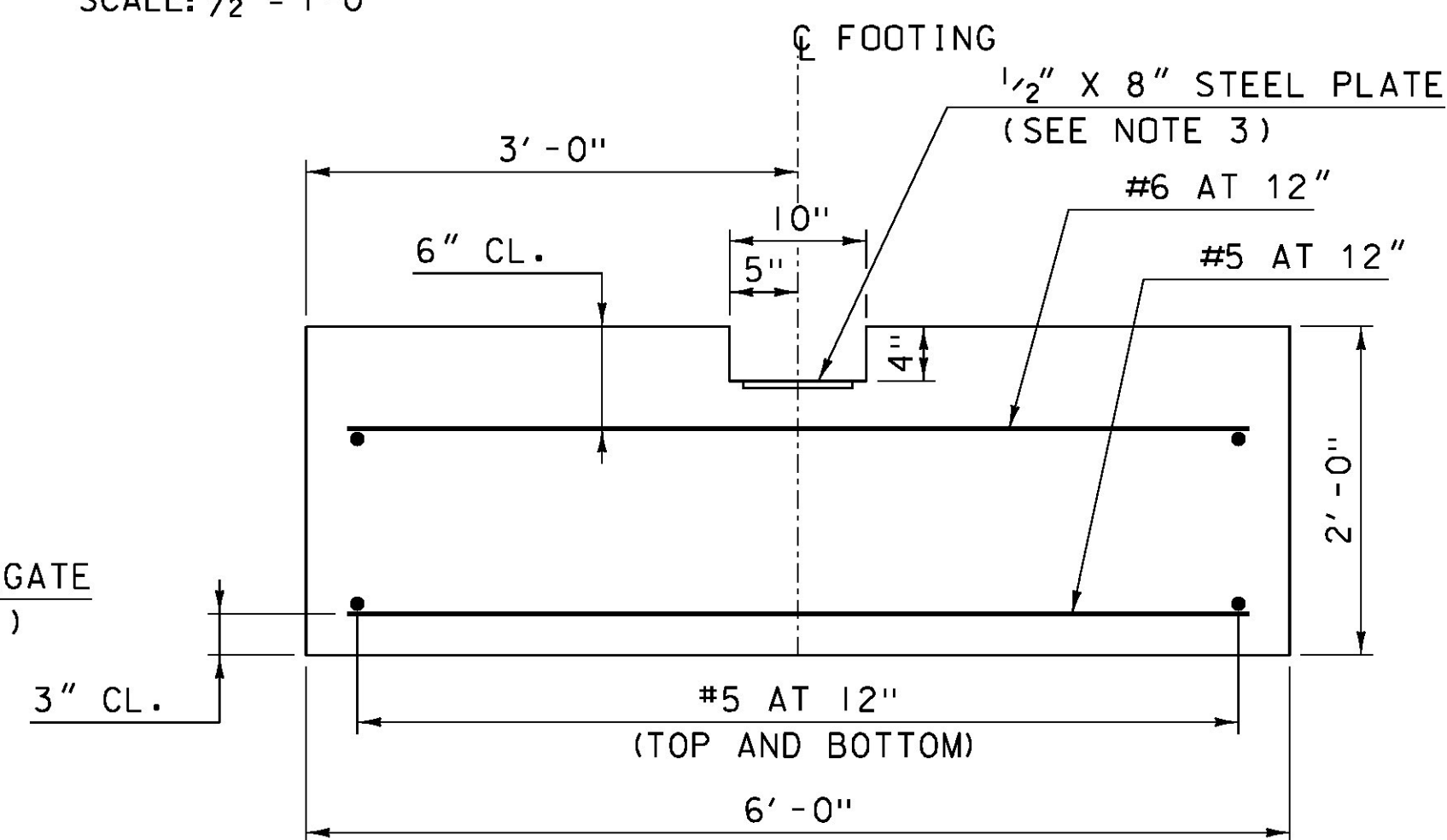
| | |
|----|------|
| W | 6.25 |
| W1 | 8.75 |

SPREAD FOOTING ELEVATIONS

| | STATION | OFFSET | TOP OF FOOTING ELEVATION | BOTTOM OF FOOTING ELEVATION |
|---|----------|--------|--------------------------|-----------------------------|
| A | 62+61.60 | 21.09 | 666.58 | 664.58 |
| B | 62+67.28 | 20.73 | 666.58 | 664.58 |
| C | 62+61.20 | 14.85 | 666.58 | 664.58 |
| D | 62+66.96 | 14.49 | 666.58 | 664.58 |
| E | 62+61.03 | 12.36 | 666.58 | 664.58 |
| F | 62+66.84 | 11.99 | 666.58 | 664.58 |
| G | 62+60.61 | 6.12 | 666.58 | 664.58 |
| H | 62+66.51 | 5.75 | 666.58 | 664.58 |
| I | 62+60.44 | 3.63 | 666.58 | 664.58 |
| J | 62+66.37 | 3.25 | 666.58 | 664.58 |
| K | 62+59.99 | -2.61 | 666.58 | 664.58 |
| L | 62+66.03 | -2.99 | 666.58 | 664.58 |
| M | 62+59.81 | -5.10 | 666.58 | 664.58 |
| N | 62+65.89 | -5.48 | 666.58 | 664.58 |
| O | 62+59.35 | -11.33 | 666.58 | 664.58 |
| P | 62+65.52 | -11.72 | 666.58 | 664.58 |
| Q | 62+59.16 | -13.83 | 666.58 | 664.58 |
| R | 62+65.38 | -14.22 | 666.58 | 664.58 |
| S | 62+58.67 | -20.06 | 666.58 | 664.58 |
| T | 62+65.00 | -20.46 | 666.58 | 664.58 |

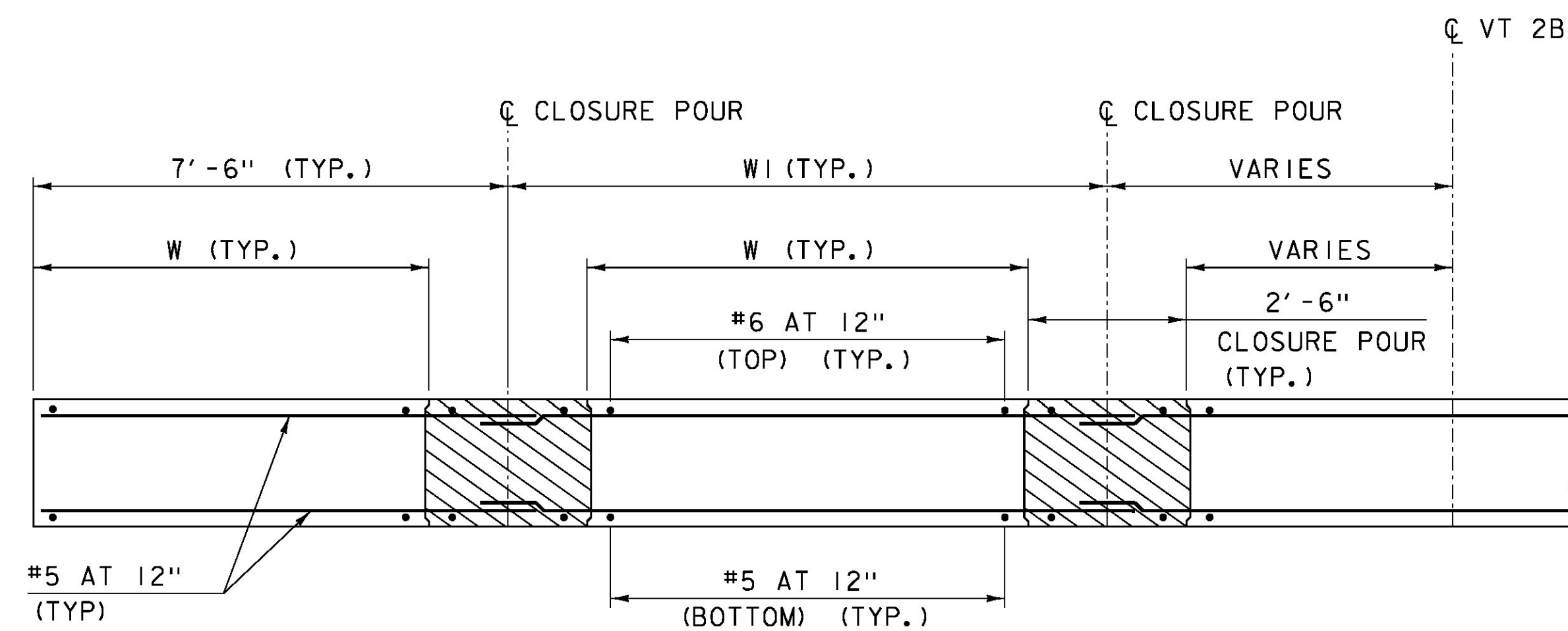


JOINT DETAIL SECTION
SCALE: 1" = 1'-0"



FOOTING TYPICAL MASONRY AND REINFORCING SECTION
SCALE: 1" = 1'-0"

SPECIAL PROVISION (HIGH PERFORMANCE CONCRETE, RAPID SET) (FPQ) (TYP.)



SECTION A-A
SCALE: 1/2" = 1'-0"

NOTES:

- FABRICATOR TO DESIGN CONCRETE SPREAD FOOTING AND LIFTING POINTS AND LOCATIONS FOR ERECTION STRESSES AND INCLUDE CALCULATIONS WITH SUBMITTAL. SEE NOTE 37 ON SHEET 10.
- 2" CLEAR UNLESS OTHERWISE NOTED ON THE PLANS.
- SEE SHEET 36 FOR FOOTING CONNECTION DETAIL.

| | | | |
|---------------------------------|---------------------------|--------------|----------------|
| PROJECT NAME: | ST. JOHNSBURY | PLOT DATE: | 10/26/2016 |
| PROJECT NUMBER: | BF 7000(20) | DRAWN BY: | M.SMITH |
| FILE NAME: | 86e048/cos/z86e048sub.dgn | DESIGNED BY: | A. GIRALDI |
| PROJECT LEADER: | J.BYATT | CHECKED BY: | S.BEAUMONT |
| SPREAD FOOTINGS DETAILS SHEET 1 | | | SHEET 41 OF 70 |

