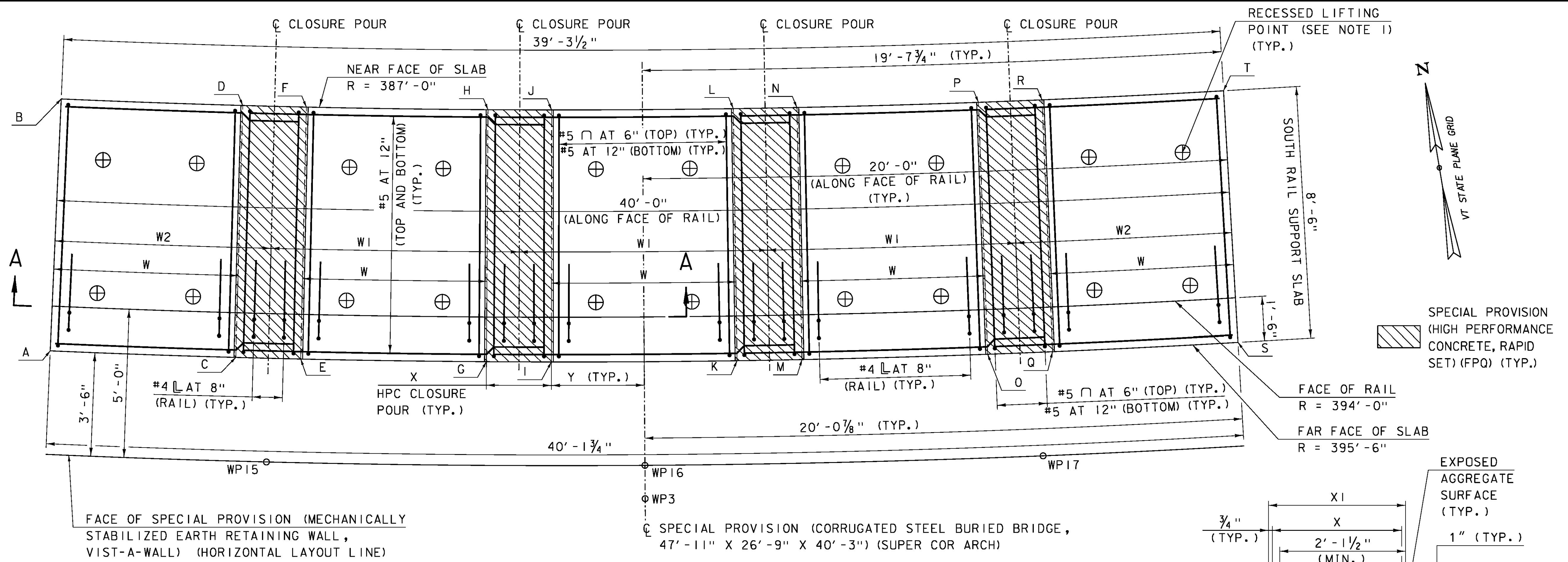


**RAIL SUPPORT
SLAB DIMENSIONS**

W AT NF OF SLAB	6.14
W AT FF OF SLAB	6.27
W AT FACE OF RAIL	6.25
W1 AT NF OF SLAB	8.29
W1 AT FF OF SLAB	8.47
W1 AT FACE OF RAIL	8.44
W2 AT NF OF SLAB	7.21
W2 AT FF OF SLAB	7.37
W2 AT FACE OF RAIL	7.34
X AT NF OF SLAB	2.15
X AT FF OF SLAB	2.20
X AT FACE OF RAIL	2.19
X1 AT NF OF SLAB	2.27
X1 AT FF OF SLAB	2.32
X1 AT FACE OF RAIL	2.31
Y AT NF OF SLAB	3.07
Y AT FF OF SLAB	3.14
Y AT FACE OF RAIL	3.13
Y1 AT NF OF SLAB	4.14
Y1 AT FF OF SLAB	4.23
Y1 AT FACE OF RAIL	4.22

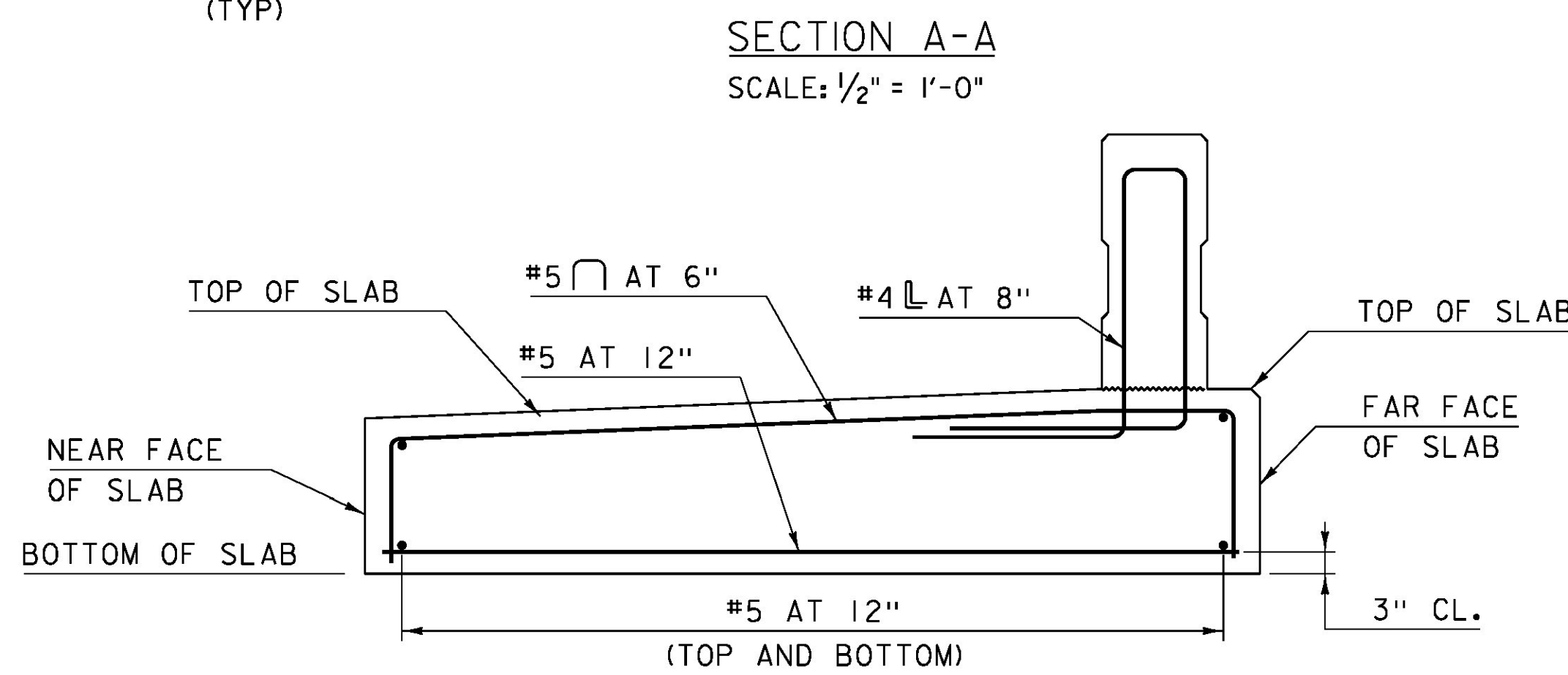
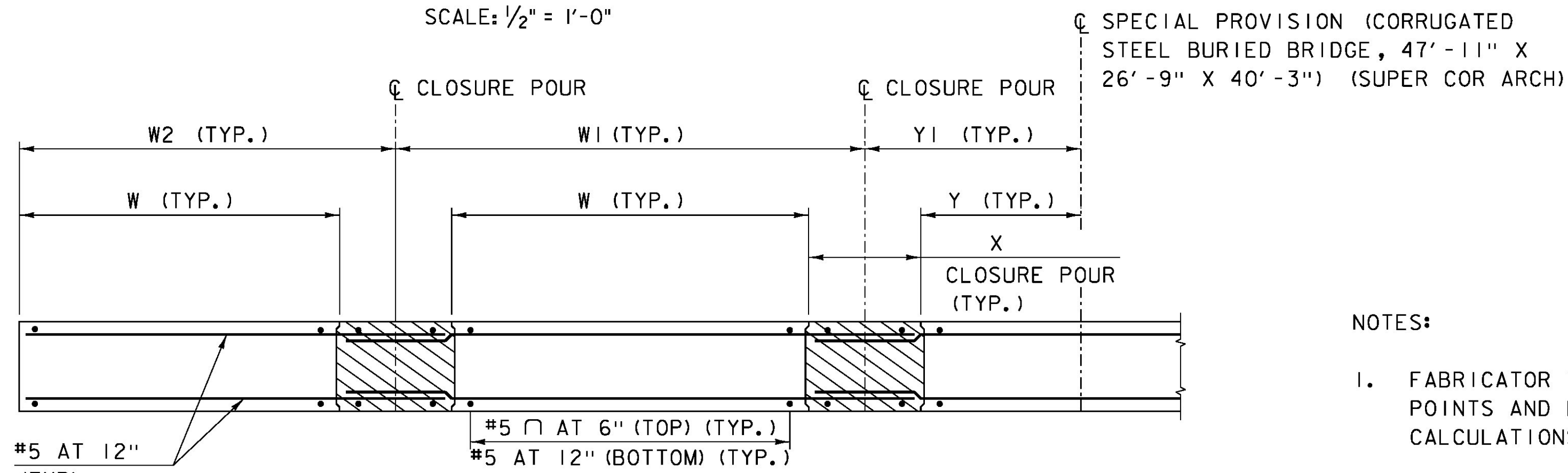
RAIL SUPPORT SLAB ELEVATIONS

	STATION	OFFSET	TOP OF SLAB ELEVATION	BOTTOM OF SLAB ELEVATION
A	62+67.89	15.50	696.91	695.16
B	62+67.89	7.00	696.63	695.16
C	62+73.92	15.50	696.71	694.96
D	62+73.92	7.00	696.43	694.96
E	62+76.03	15.50	696.64	694.89
F	62+76.03	7.00	696.36	694.89
G	62+82.06	15.50	696.44	694.69
H	62+82.06	7.00	696.16	694.69
I	62+84.17	15.50	696.37	694.62
J	62+84.17	7.00	696.09	694.62
K	62+90.20	15.50	696.18	694.43
L	62+90.20	7.00	695.90	694.43
M	62+92.31	15.50	696.12	694.37
N	62+92.31	7.00	695.84	694.37
O	62+98.33	15.50	695.94	694.19
P	62+98.33	7.00	695.66	694.19
Q	63+00.44	15.50	695.87	694.12
R	63+00.44	7.00	695.59	694.12
S	63+06.47	15.50	695.70	693.95
T	63+06.47	7.00	695.42	693.95



SOUTH RAIL SUPPORT SLAB PLAN

SCALE: 1/2" = 1'-0"



PROJECT NAME:	ST. JOHNSBURY
PROJECT NUMBER:	BF 7000(20)
FILE NAME:	86e048/cos/z86e048sub.dgn
PROJECT LEADER:	J.BYATT
DESIGNED BY:	A. GIRALDI
RAIL SUPPORT SLAB DETAILS SHEET 3	
PLOT DATE:	10/26/2016
DRAWN BY:	M.SMITH
CHECKED BY:	S.BEAUMONT
SHEET	40 OF 70

CLD 14-016 MODEL: SUB11

