

**RAIL SUPPORT  
SLAB DIMENSIONS**

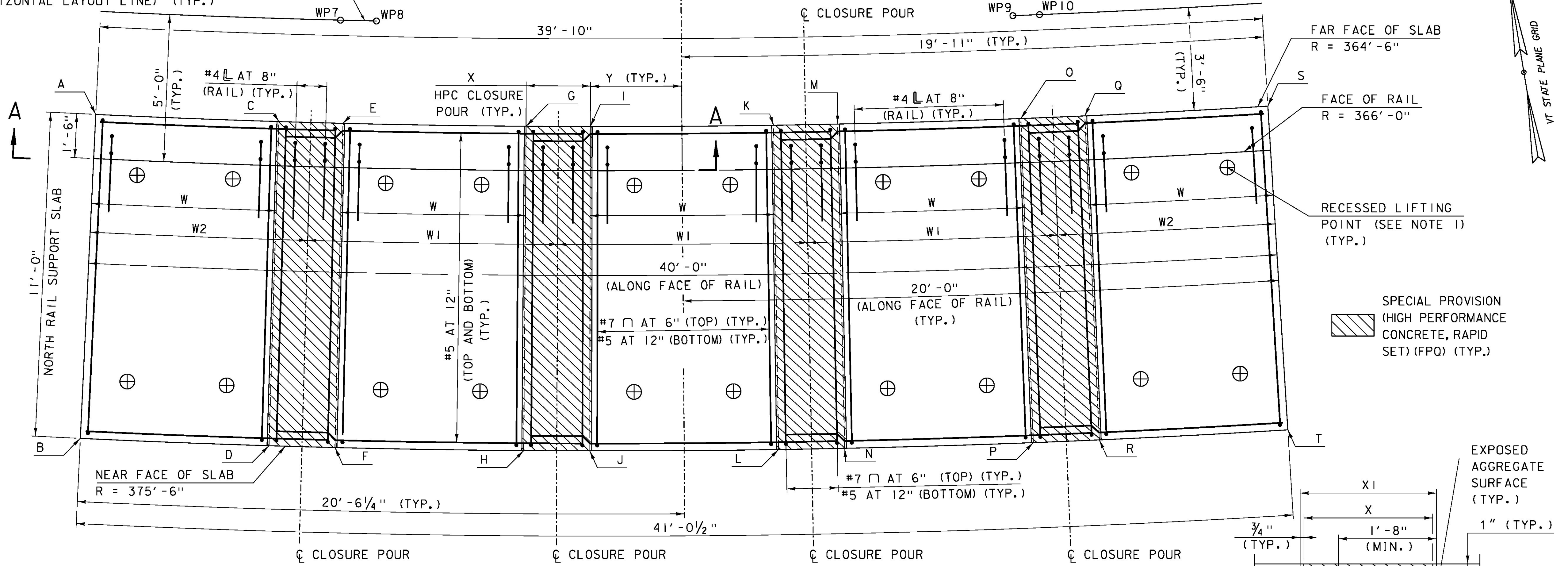
W AT NF OF SLAB	6.41
W AT FF OF SLAB	6.22
W AT FACE OF RAIL	6.25
W1 AT NF OF SLAB	8.66
W1 AT FF OF SLAB	8.40
W1 AT FACE OF RAIL	8.44
W2 AT NF OF SLAB	7.53
W2 AT FF OF SLAB	7.31
W2 AT FACE OF RAIL	7.34
X AT NF OF SLAB	2.24
X AT FF OF SLAB	2.18
X AT FACE OF RAIL	2.19
X1 AT NF OF SLAB	2.37
X1 AT FF OF SLAB	2.30
X1 AT FACE OF RAIL	2.31
Y AT NF OF SLAB	3.21
Y AT FF OF SLAB	3.11
Y AT FACE OF RAIL	3.13
Y1 AT NF OF SLAB	4.33
Y1 AT FF OF SLAB	4.20
Y1 AT FACE OF RAIL	4.22

**RAIL SUPPORT SLAB ELEVATIONS**

	STATION	OFFSET	TOP OF SLAB ELEVATION	BOTTOM OF SLAB ELEVATION
A	62+66.42	15.50 LT	695.84	694.84
B	62+66.42	4.50 LT	695.79	694.84
C	62+72.91	15.50 LT	695.62	694.62
D	62+72.91	4.50 LT	695.57	694.62
E	62+75.18	15.50 LT	695.54	694.54
F	62+75.18	4.50 LT	695.50	694.54
G	62+81.67	15.50 LT	695.33	694.33
H	62+81.67	4.50 LT	695.29	694.33
I	62+83.94	15.50 LT	695.26	694.26
J	62+83.94	4.50 LT	695.21	694.26
K	62+90.43	15.50 LT	695.06	694.06
L	62+90.43	4.50 LT	695.01	694.06
M	62+92.70	15.50 LT	694.99	693.99
N	62+92.70	4.50 LT	694.94	693.99
O	62+99.19	15.50 LT	694.79	693.79
P	62+99.19	4.50 LT	694.74	693.79
Q	63+01.46	15.50 LT	694.72	693.72
R	63+01.46	4.50 LT	694.68	693.72
S	63+07.95	15.50 LT	694.54	693.54
T	63+07.95	4.50 LT	694.49	693.54

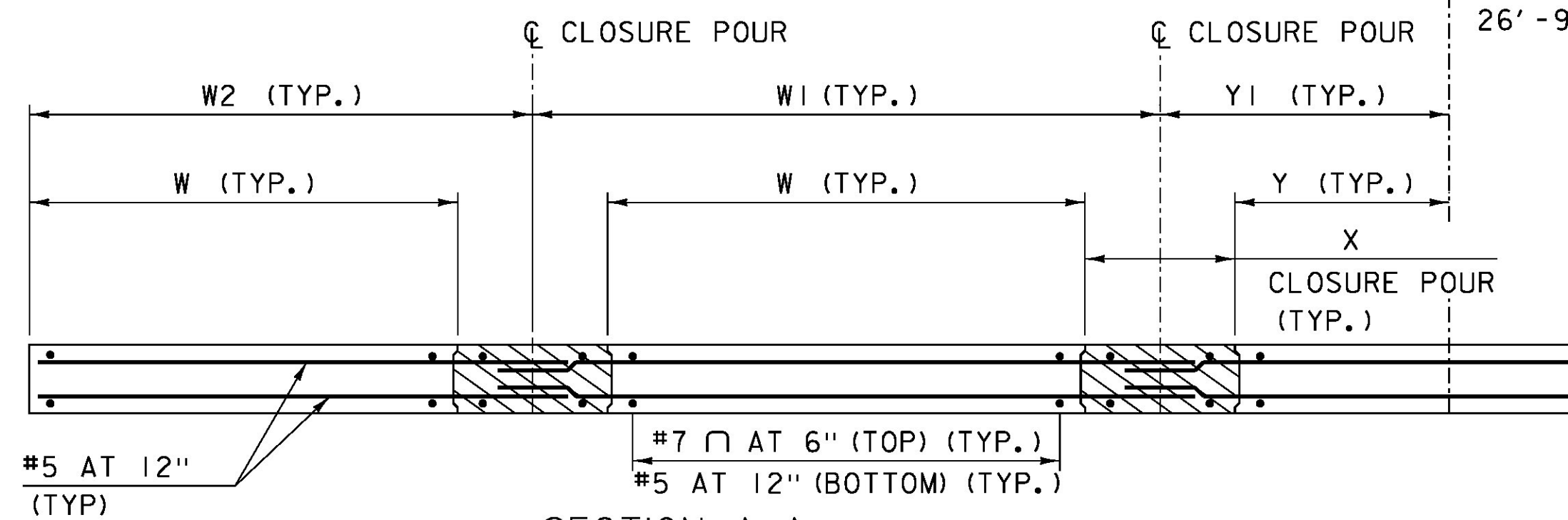
FACE OF SPECIAL PROVISION (MECHANICALLY STABILIZED EARTH RETAINING WALL, VIST-A-WALL) (HORIZONTAL LAYOUT LINE) (TYP.)

☉ SPECIAL PROVISION (CORRUGATED STEEL BURIED BRIDGE, 47'-11" X 26'-9" X 40'-3") (SUPER COR ARCH)



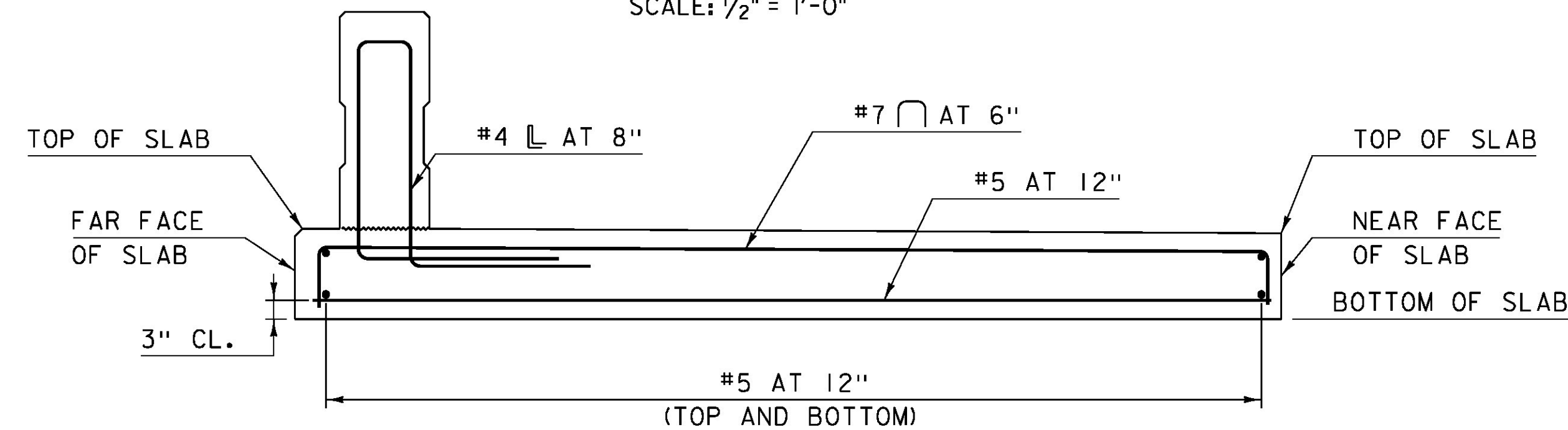
**NORTH RAIL SUPPORT SLAB PLAN**

SCALE: 1/2" = 1'-0"



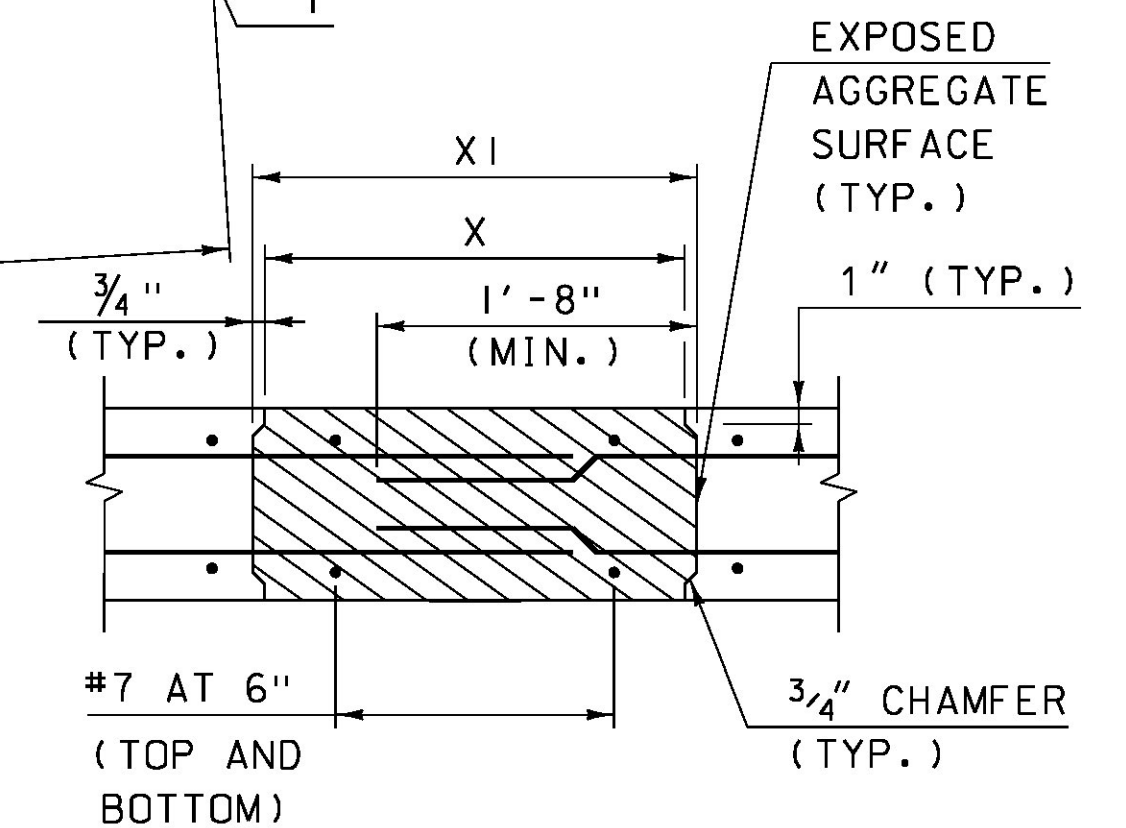
**SECTION A-A**

SCALE: 1/2" = 1'-0"



**TYPICAL NORTH RAIL SUPPORT  
SLAB REINFORCING SECTION**

SCALE: 3/4" = 1'-0"



**JOINT DETAIL SECTION**

SCALE: 1" = 1'-0"

**NOTES:**

1. FABRICATOR TO DESIGN CONCRETE RAIL SUPPORT SLABS AND LIFTING POINTS AND LOCATIONS FOR ERECTION STRESSES AND INCLUDE CALCULATIONS WITH SUBMITTAL. SEE NOTE 37 ON SHEET 10.
2. 2" CLEAR UNLESS OTHERWISE NOTED ON THE PLANS.
3. 2'-1" BAR LAP UNLESS OTHERWISE SPECIFIED ON THE PLANS.
4. ALL DIMENSIONS IN RAIL SUPPORT SLAB DIMENSIONS TABLE ARE MEASURED ALONG THE CURVE AT THE LOCATION INDICATED.
5. SEE SHEET 38 FOR NORTH RAIL SUPPORT SLAB TYPICAL MASONRY SECTION.
6. THE CONTRACTOR MAY PROPOSE ALTERNATE PRECAST CONCRETE RAIL SUPPORT SLAB GEOMETRY PROVIDED POINTS "A", "B", "S", AND "T" REMAIN THE SAME. THE CONTRACTOR SHALL SUBMIT THE REVISED GEOMETRY AND DESIGN (IF APPLICABLE) FOR APPROVAL, WHICH SHALL BE STAMPED BY A PROFESSIONAL ENGINEER LICENSED IN THE STATE OF VERMONT.



PROJECT NAME: ST. JOHNSBURY  
PROJECT NUMBER: BF 7000(20)

FILE NAME: 86e048/cos/z86e048sub.dgn PLOT DATE: 10/26/2016  
PROJECT LEADER: J.BYATT DRAWN BY: M.SMITH  
DESIGNED BY: A. GIRALDI CHECKED BY: S.BEAUMONT  
RAIL SUPPORT SLAB DETAILS SHEET 2 SHEET 39 OF 70