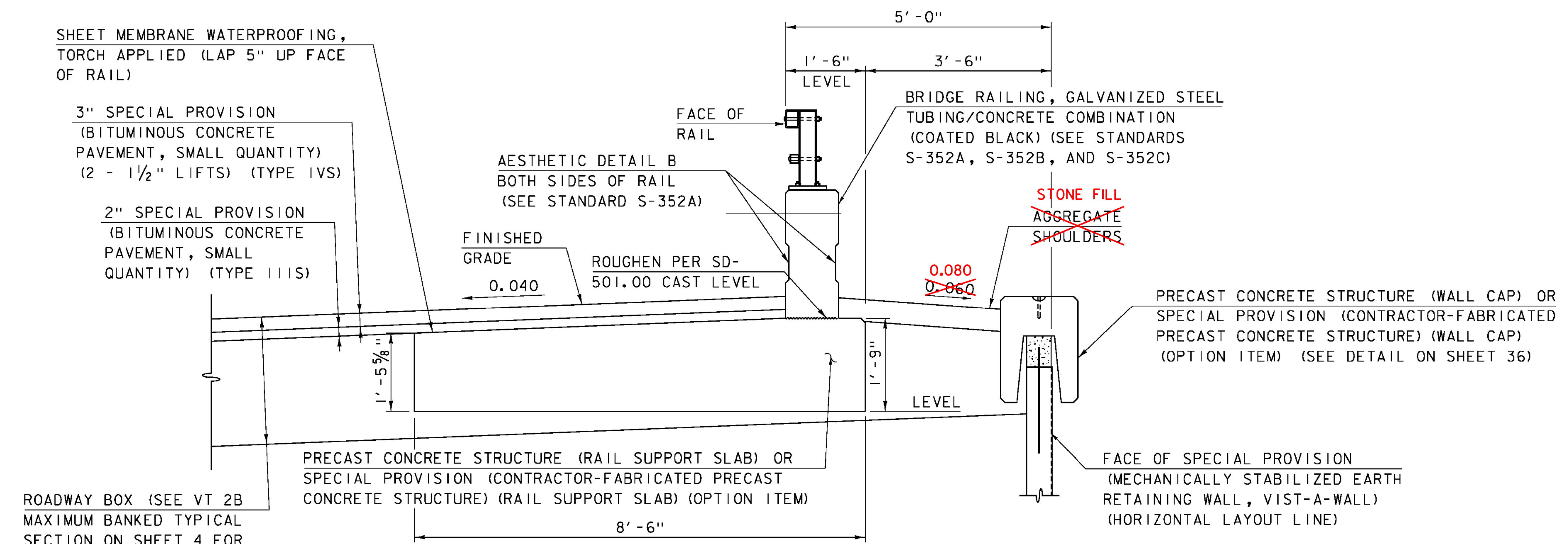


TYPICAL NORTH RAIL SUPPORT
 SLAB MASONRY SECTION
 SCALE: 3/4" = 1'-0"



TYPICAL SOUTH RAIL SUPPORT
 SLAB MASONRY SECTION
 SCALE: 3/4" = 1'-0"

MODEL: SUB09
 CLD 14-0116



PROJECT NAME:	ST. JOHNSBURY	PLOT DATE:	10/26/2016
PROJECT NUMBER:	BF 7000(20)	DRAWN BY:	M.SMITH
FILE NAME:	86e048/cos/z86e048sub.dgn	DESIGNED BY:	A. GIRALDI
		CHECKED BY:	S.BEAUMONT
		RAIL SUPPORT SLAB DETAILS SHEET 1	SHEET 38 OF 70