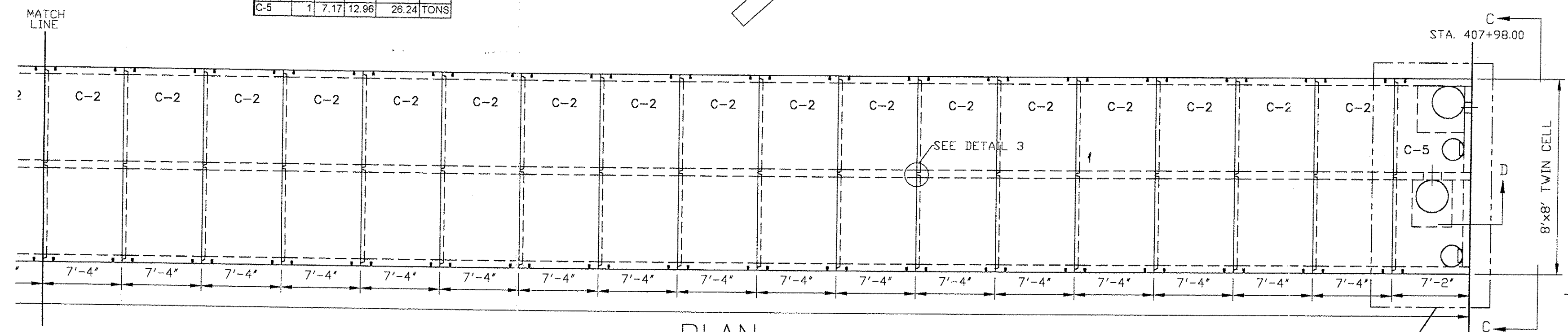
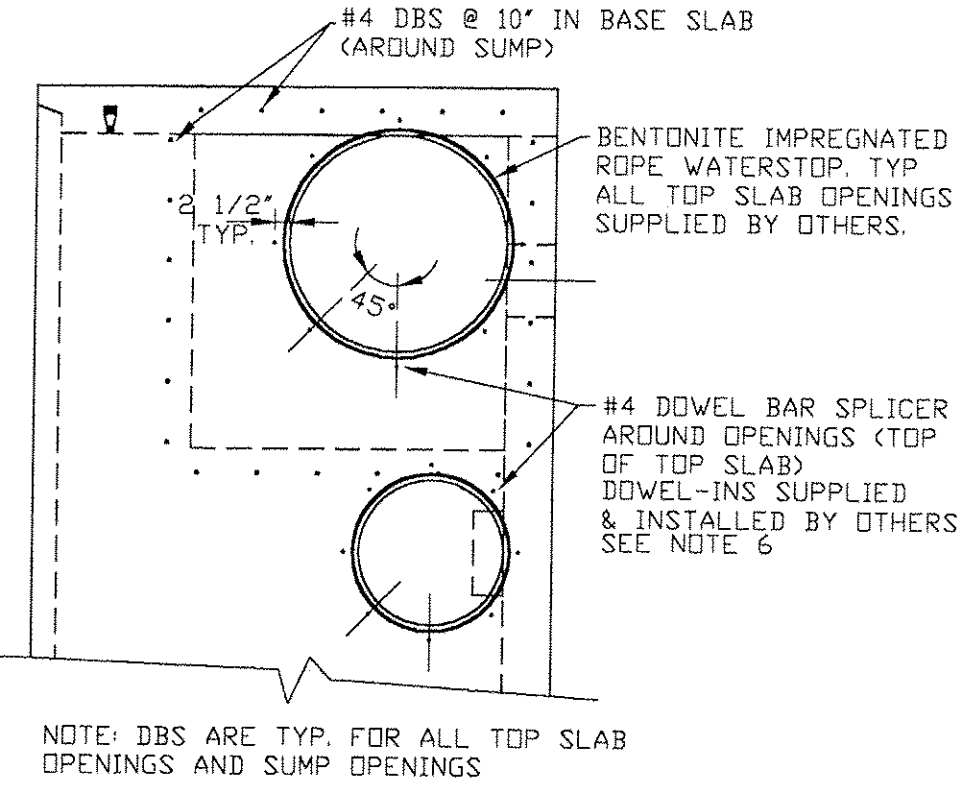


PLAN
SCALE 1/8" = 1'-0"

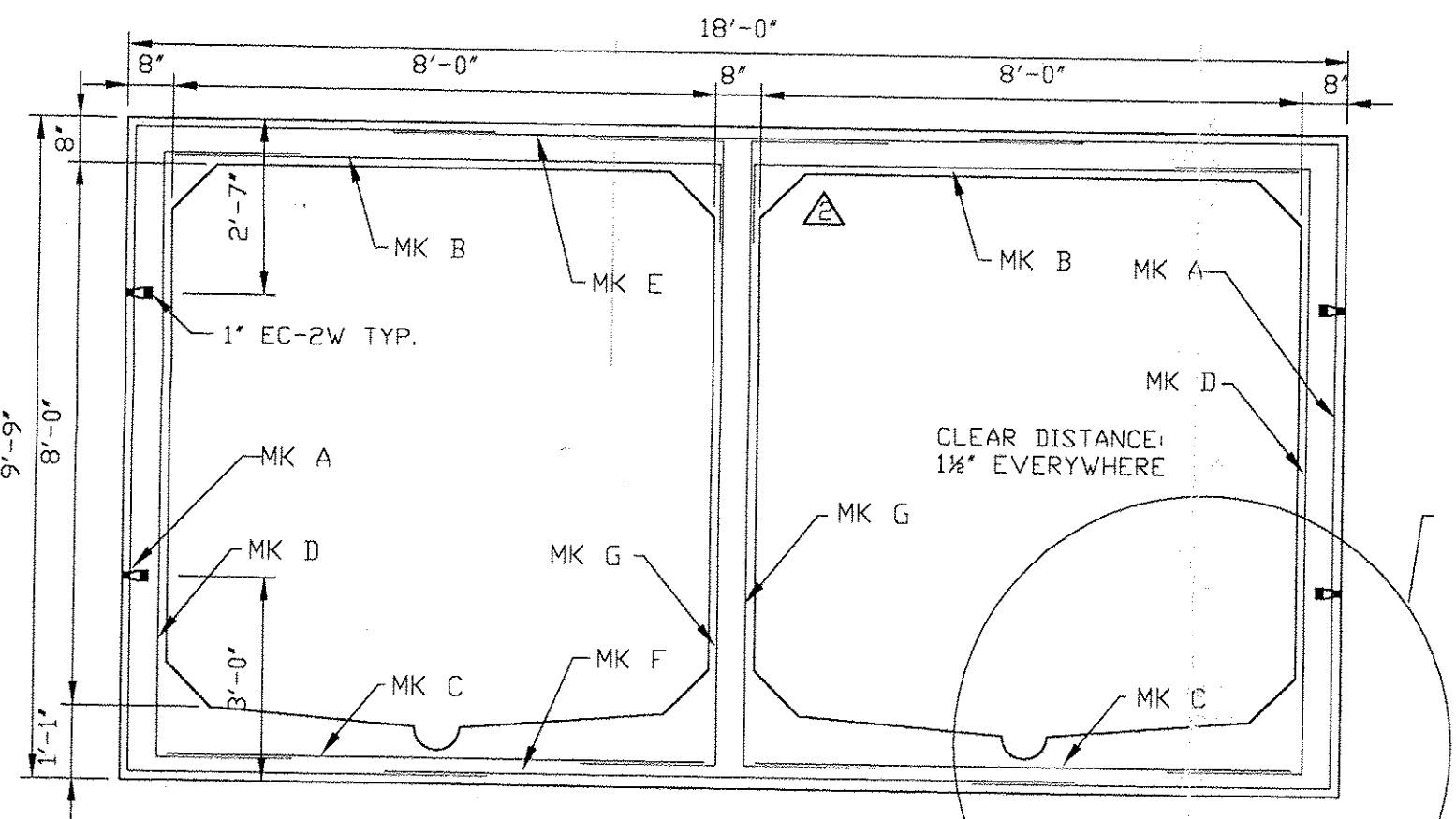


PLAN
SCALE 1/8" = 1'-0"

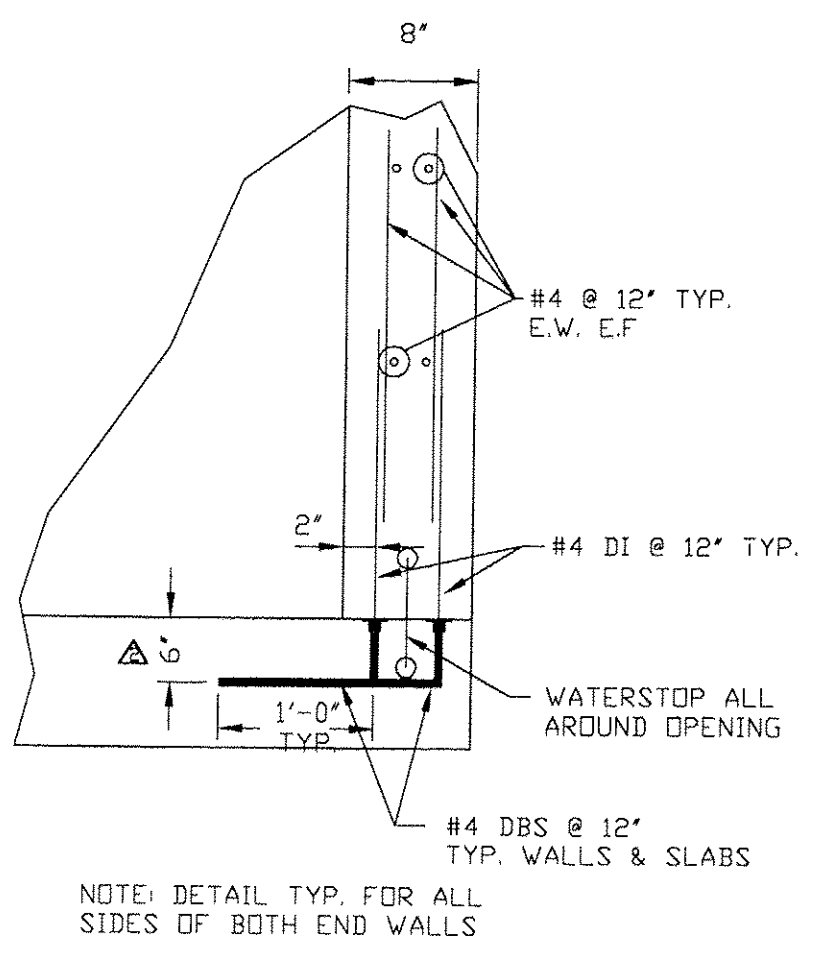


DETAIL 2
SCALE 3/8" = 1'-0"

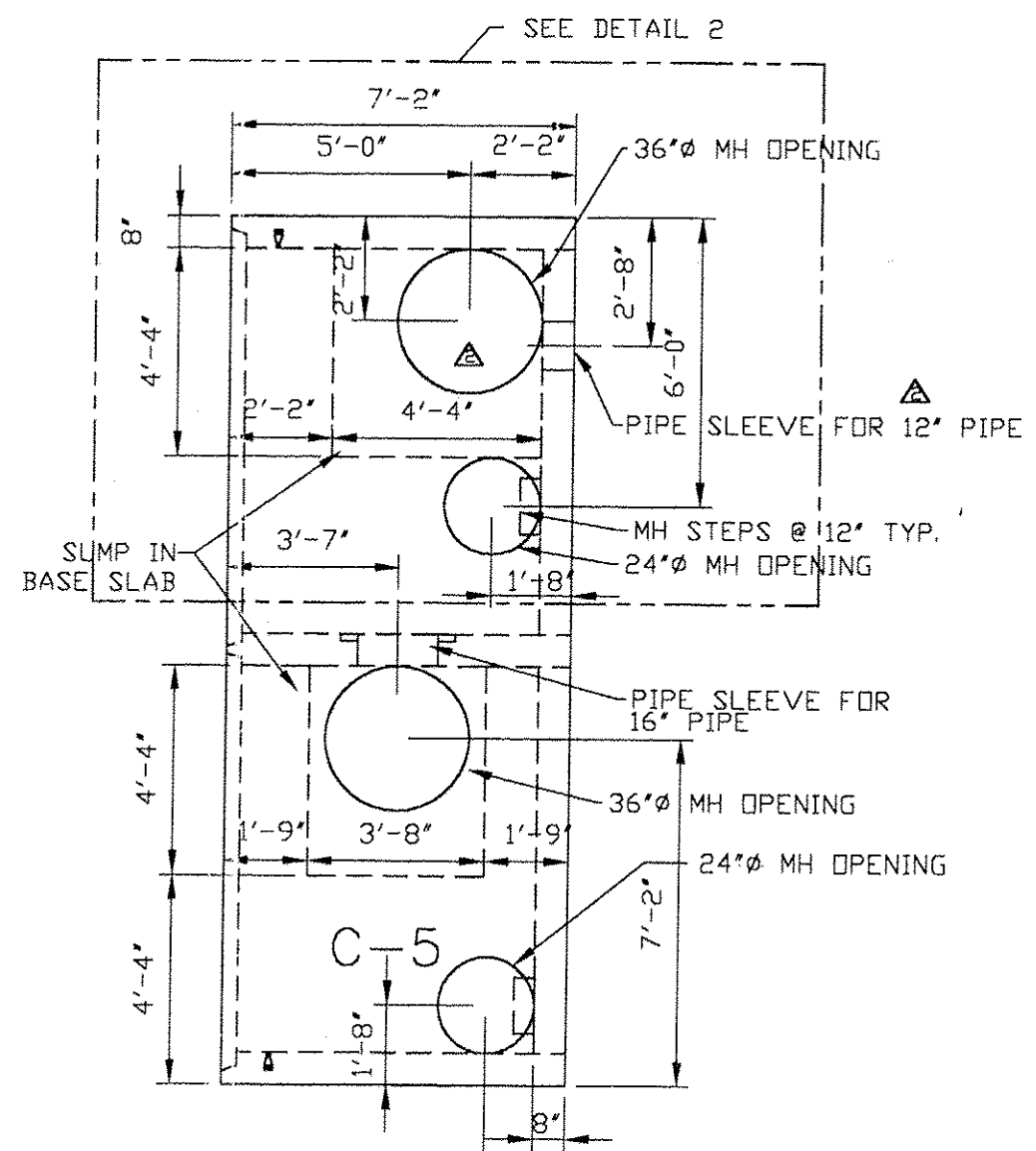
- GENERAL NOTES:**
- Structure designed and built in accordance with ACI 318-95 "Building Code Requirements for Structural Concrete" and AASHTO "Standard Specifications for Highway Bridges", and ASTM C789.
 - Design Parameters
 Live load: AASHTO HS25
 Earth Cover: 5.25'
 Concrete: Design strength $f'_c = 5000$ psi
 Unit weight = 150 pcf
 Reinforcing: ASTM A185 (WWF) $f_y = 60$ ksi
 Soil: Unit weight = 140 pcf
 Minimum lateral pressure coefficient .25
 Maximum lateral pressure coefficient .50
 Cover to reinforcing: 1 1/2" everywhere
 - Dimensions include a 1/2" joint gap. Actual lay length per piece is 1/2" shorter (I.E. C-2 = 7-3 1/2")
 - NO Dampproofing required.
 - All pipe sleeves to be cast-in by CSI, supplied by others.
 - Dowel-ins for sump and MH openings are Richmond #4. Supplied and installed by others.
 - Engineer must be notified (3) three weeks prior to first pour.



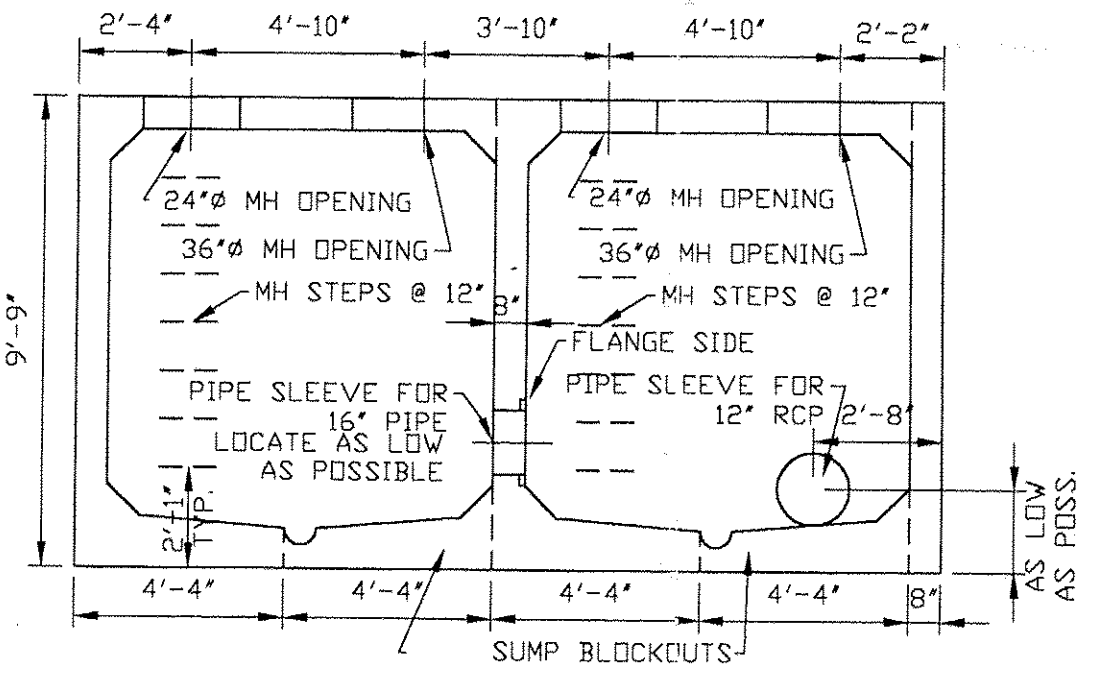
SECTION
SCALE 3/8" = 1'-0"



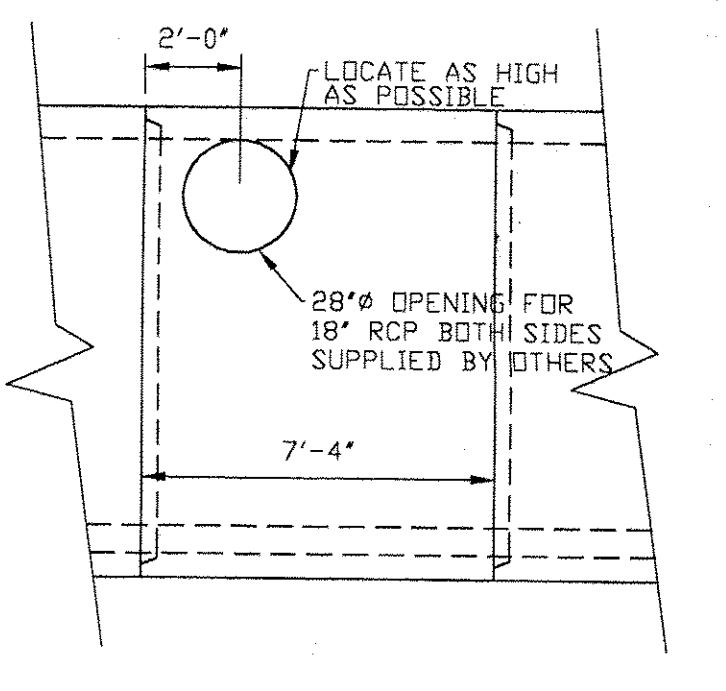
SECTION D
SCALE 1" = 1'-0"



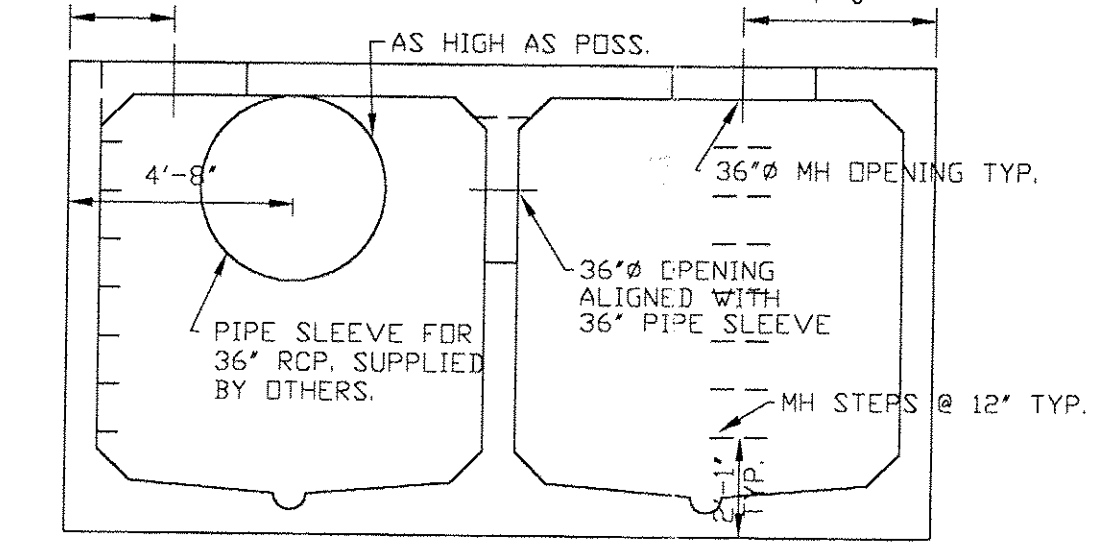
DETAIL 4
SCALE 1/4" = 1'-0"



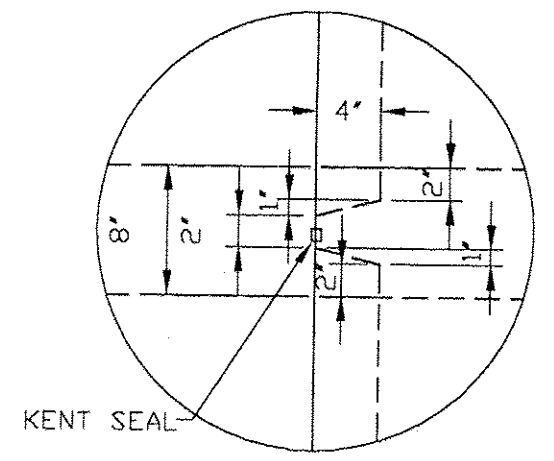
ELEVATION C-C
SCALE 1/4" = 1'-0"



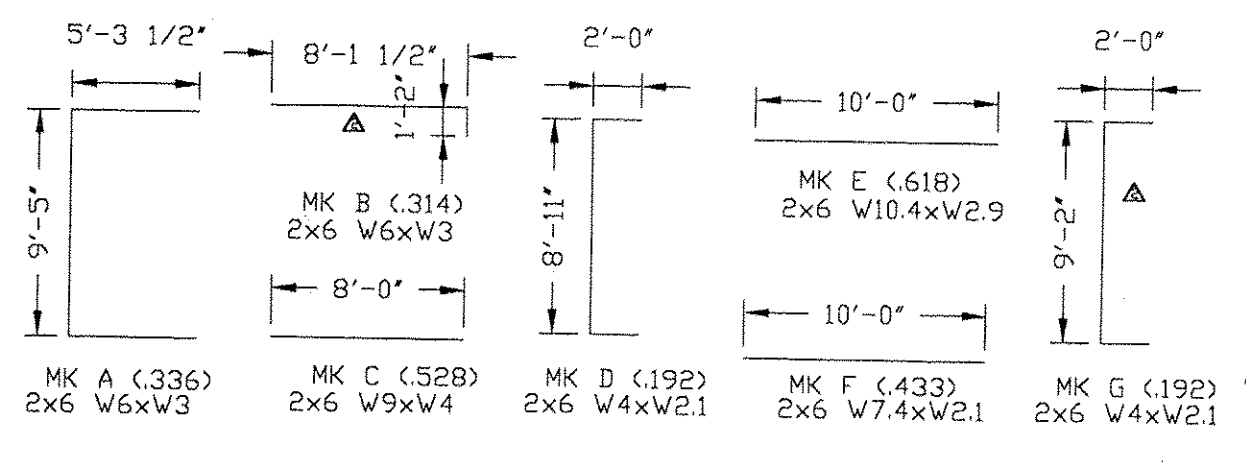
ELEVATION B-B
SCALE 1/4" = 1'-0"



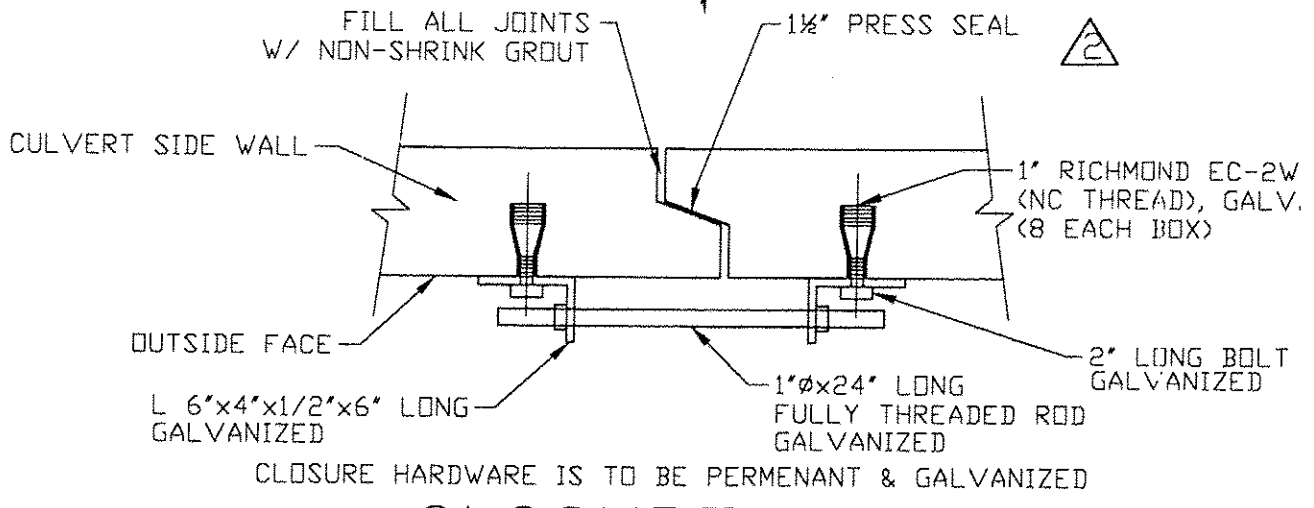
ELEVATION A-A
SCALE 1/4" = 1'-0"



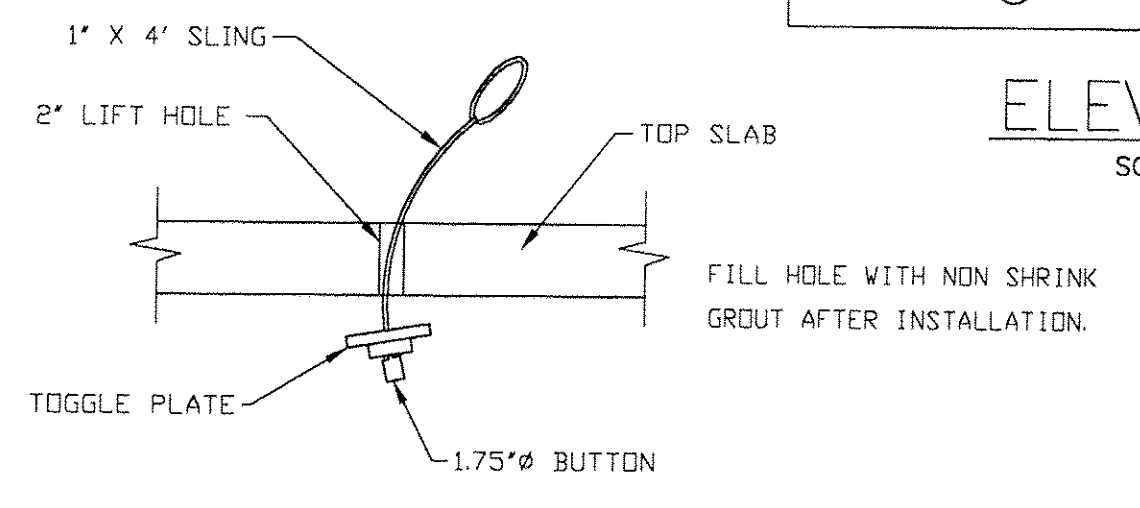
DETAIL 3
SCALE 1" = 1'-0"



BENDING SCHEDULE
SCALE 1/8" = 1'-0"



CLOSURE DETAIL
SCALE 1" = 1'-0"



LIFTING DETAIL
NO SCALE

STATE AGENCY: VERMONT AOT

CONCRETE SYSTEMS, INC.
Commercial Ave, Hudson, NH, 03051

J. A. McDONALD, INC.
STORMWATER DETENTION CISTERN
BURLINGTON, VT

STORMWATER DETENTION LAYOUT

Drawn by: E. HAUSER
Checked by: CV
Approved by: CV

Date: 4/29/98
Date: 6/8/98

Project No.: D MEGC 5000(14)
Drawing No.: C13086-LO1

REV 2

SCALE: As Shown
SHEET 1 OF 2

REVISED 6/1/98 EH rev2
REVISED 5/12/98 EH