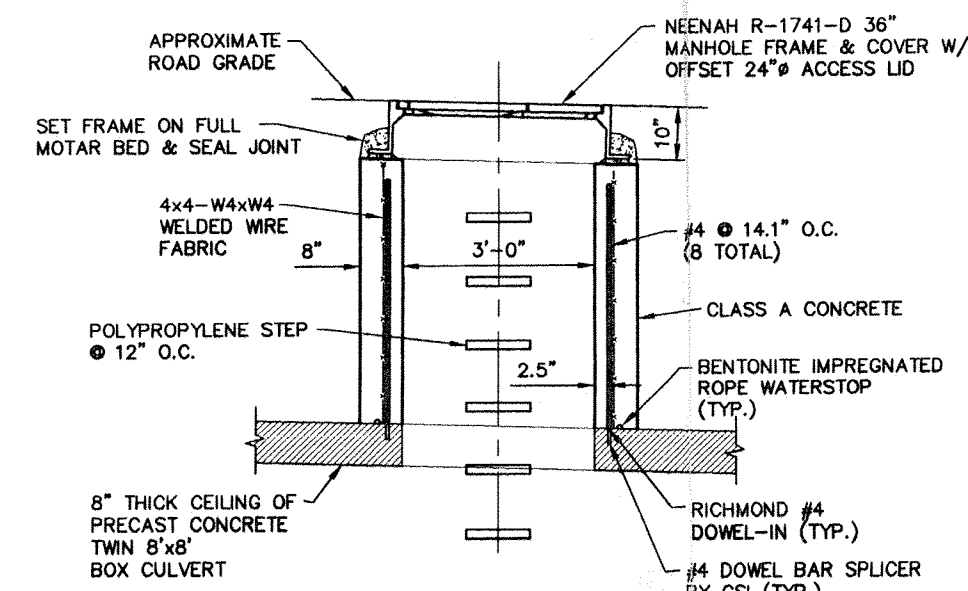
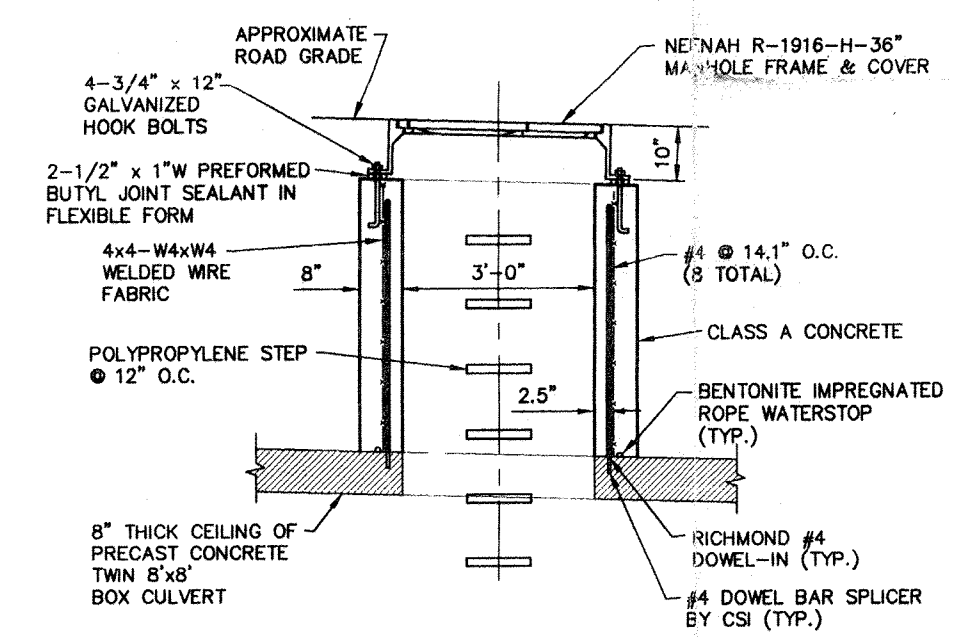


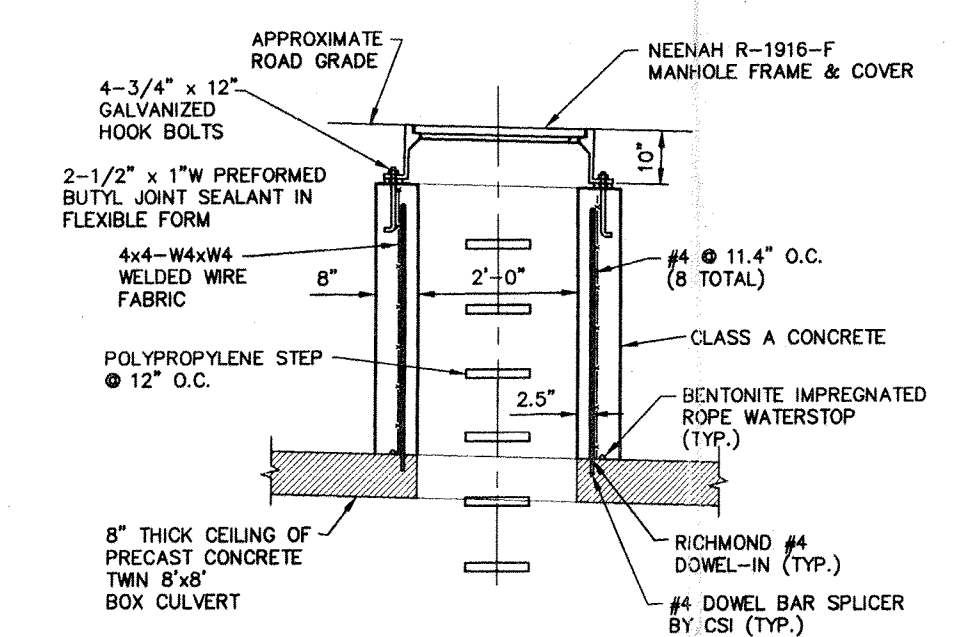
PLAN VIEW - 36" RISER SECTION
1/2" = 1'-0"



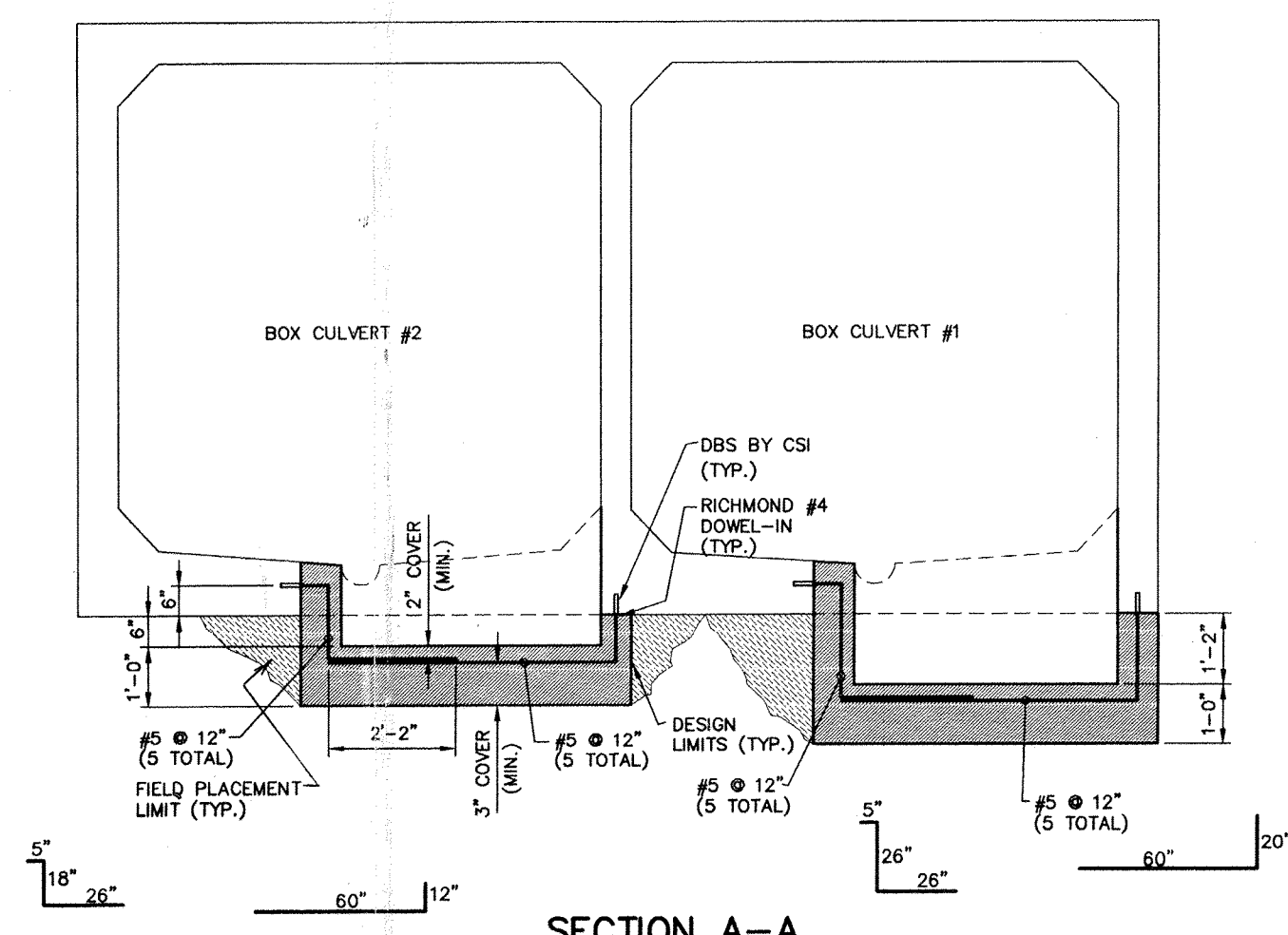
36" RISER SECTION - INLET END
1/2" = 1'-0"



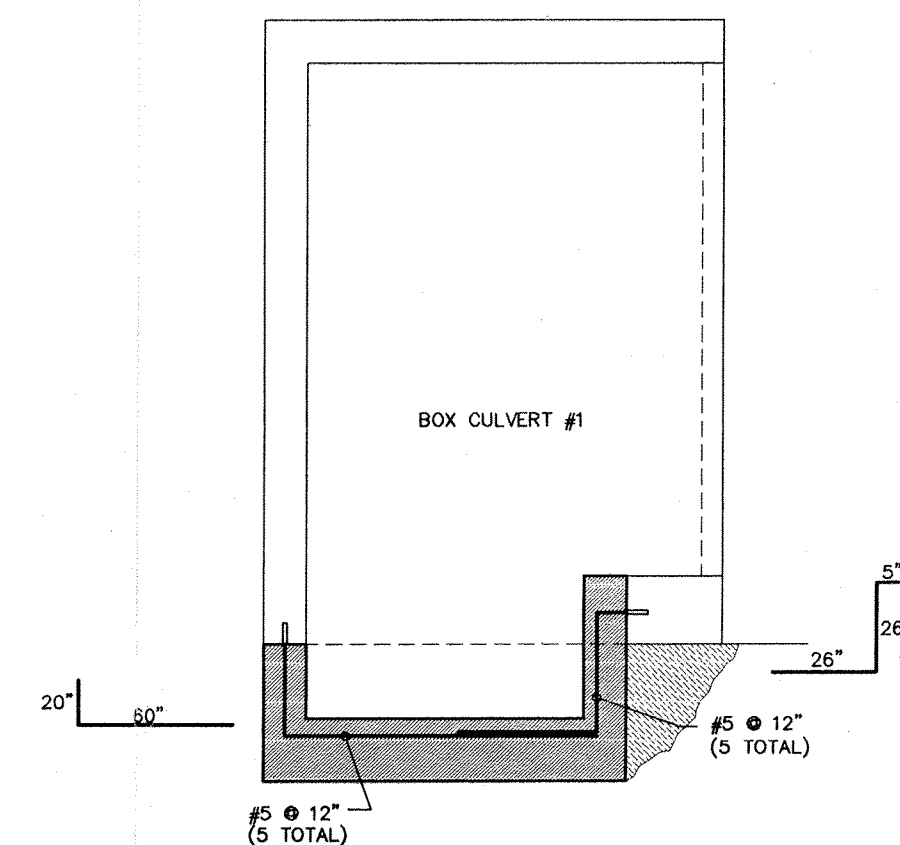
36" RISER SECTION - OUTLET END
1/2" = 1'-0"



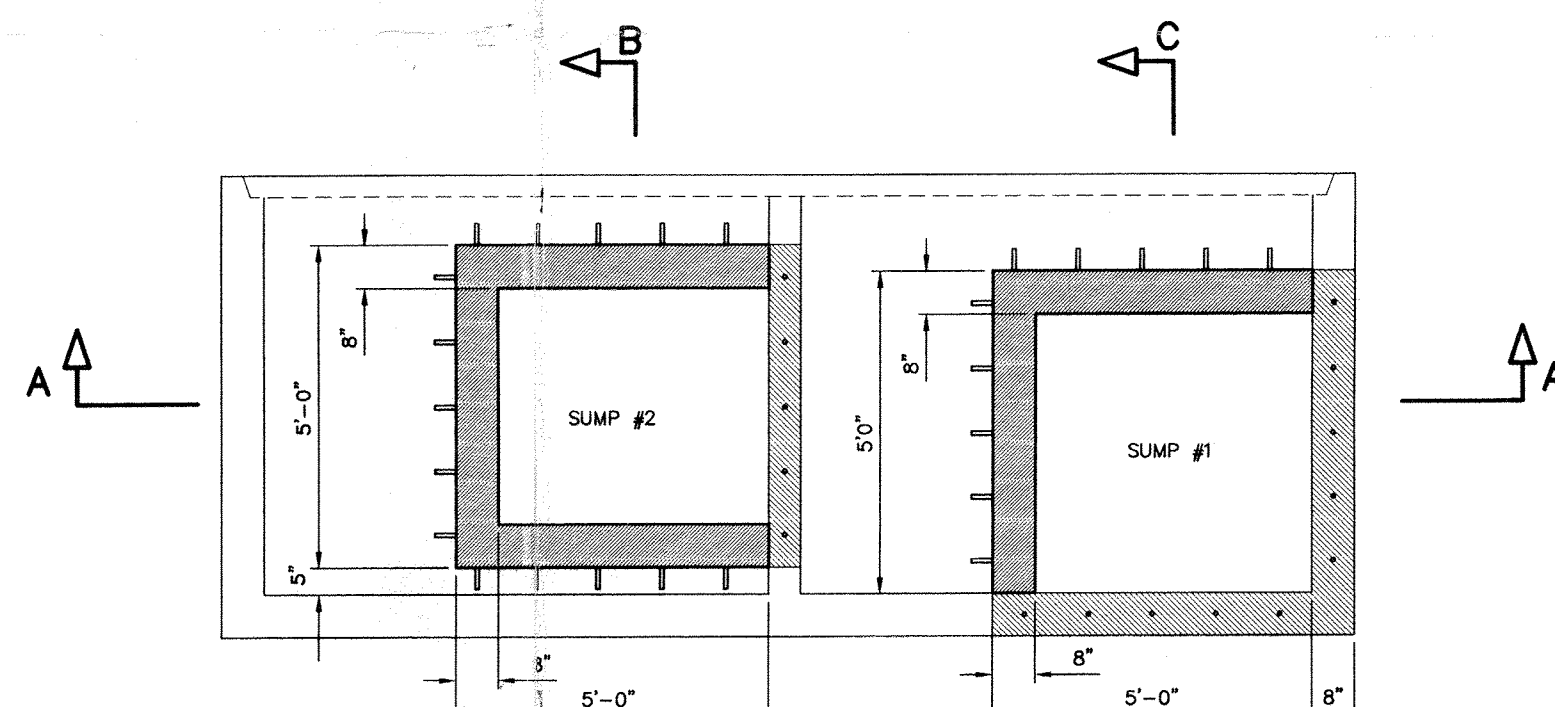
24" RISER SECTION - OUTLET END
1/2" = 1'-0"



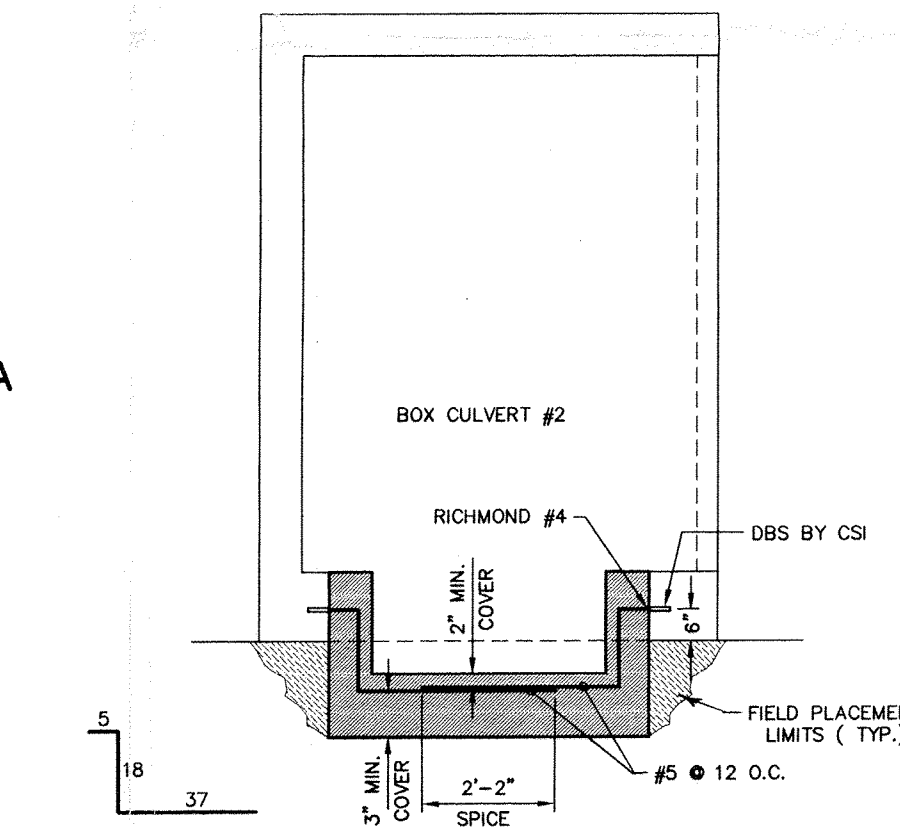
SECTION A-A
1/2" = 1'-0"



SUMP #1 SECTION C-C
1/2" = 1'-0"



PLAN VIEW
1/2" = 1'-0"



SUMP #2 SECTION B-B
1/2" = 1'-0"

Date		Revision		BURLINGTON VERMONT	
Drawn by	ACI	Date	MAY 1998	SHEET	
Checked by	DSM	Scale	AS SHOWN	1	
Approved by		Project No.	98201	CIVIL ENGINEERING ASSOCIATES, INC. SHELburnE, VERMONT	

**MAIN STREET RECONSTRUCTION
STORMWATER DETENTION CISTERN
RISER & SUMP DETAILS**

CIVIL ENGINEERING ASSOCIATES, INC.
SHELburnE, VERMONT