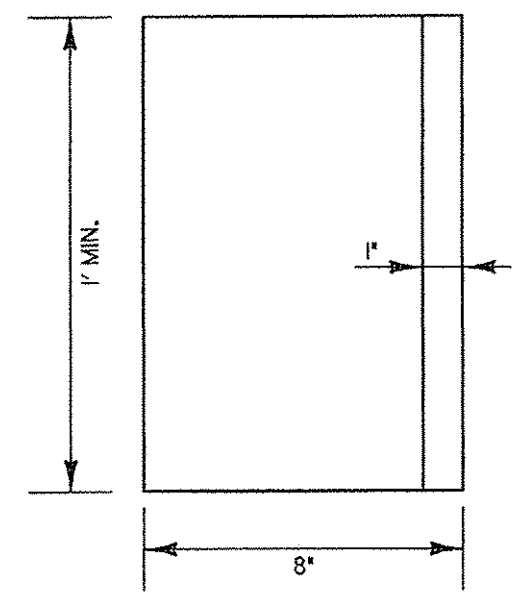


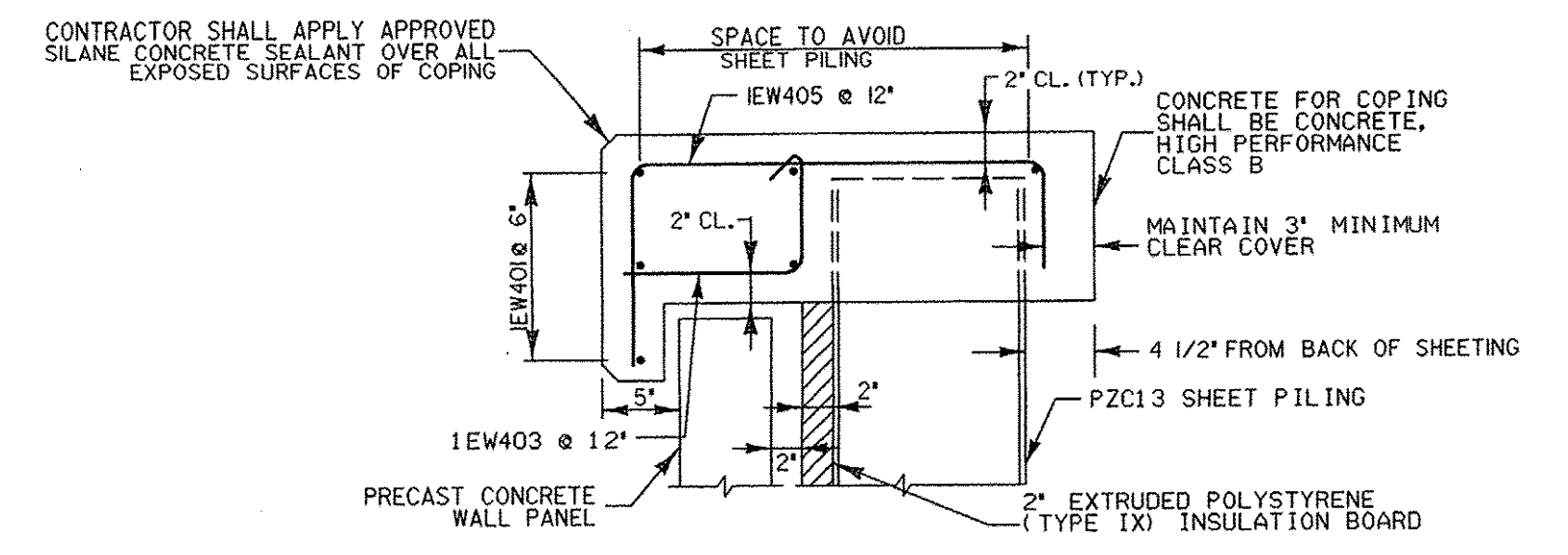
TYPICAL TOP OF COPING PLAN - UPPER WALL  
SCALE: 1" = 1'

UPPER WALL COPING REINFORCEMENT TABLE									
EA.	SIZE	LENGTH	MARK	TYPE	A	B	C	D	J
78	4	30'-0"	IEW401	STR					
380	4	2'-2"	IEW403	2I	0'-7"	0'-8"	1'-0"		0'-5"
380	4	3'-10 1/2"	IEW405	17	0'-7"	0'-7"	2'-3 3/8"	1'-1"	

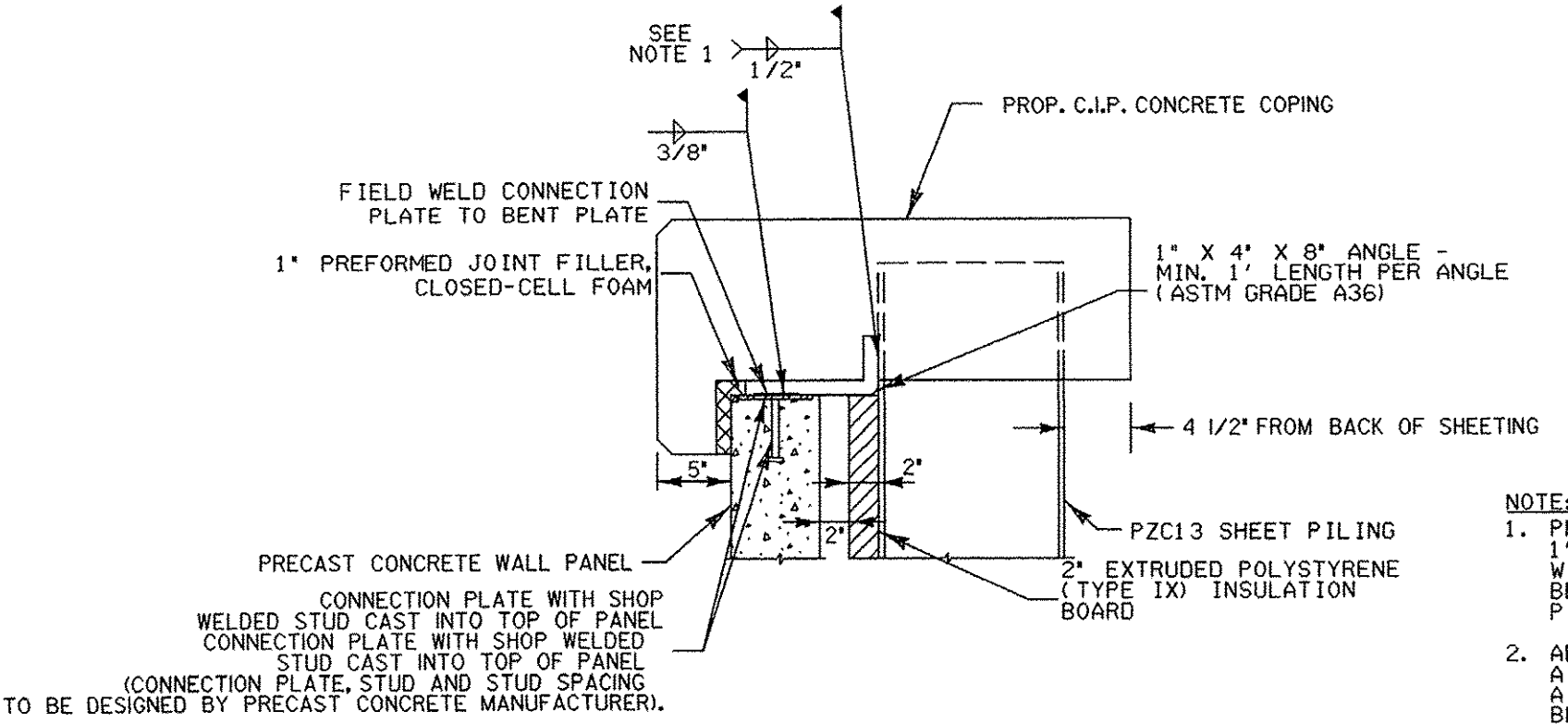
MINIMUM LAP SPLICE LENGTH SHALL BE 45 INCHES FOR COPING REINFORCING STEEL.



TOP OF ANGLE DETAIL  
N.T.S.

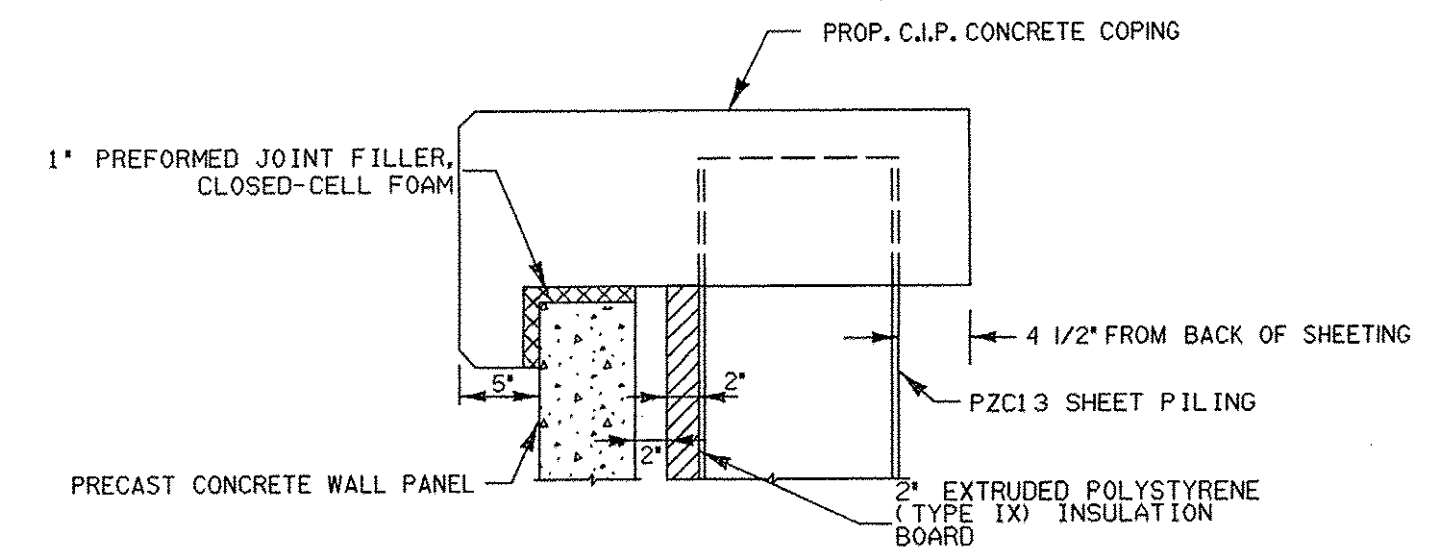


COPING REINFORCING DETAIL (UPPER WALL)  
SCALE: 1" = 1'

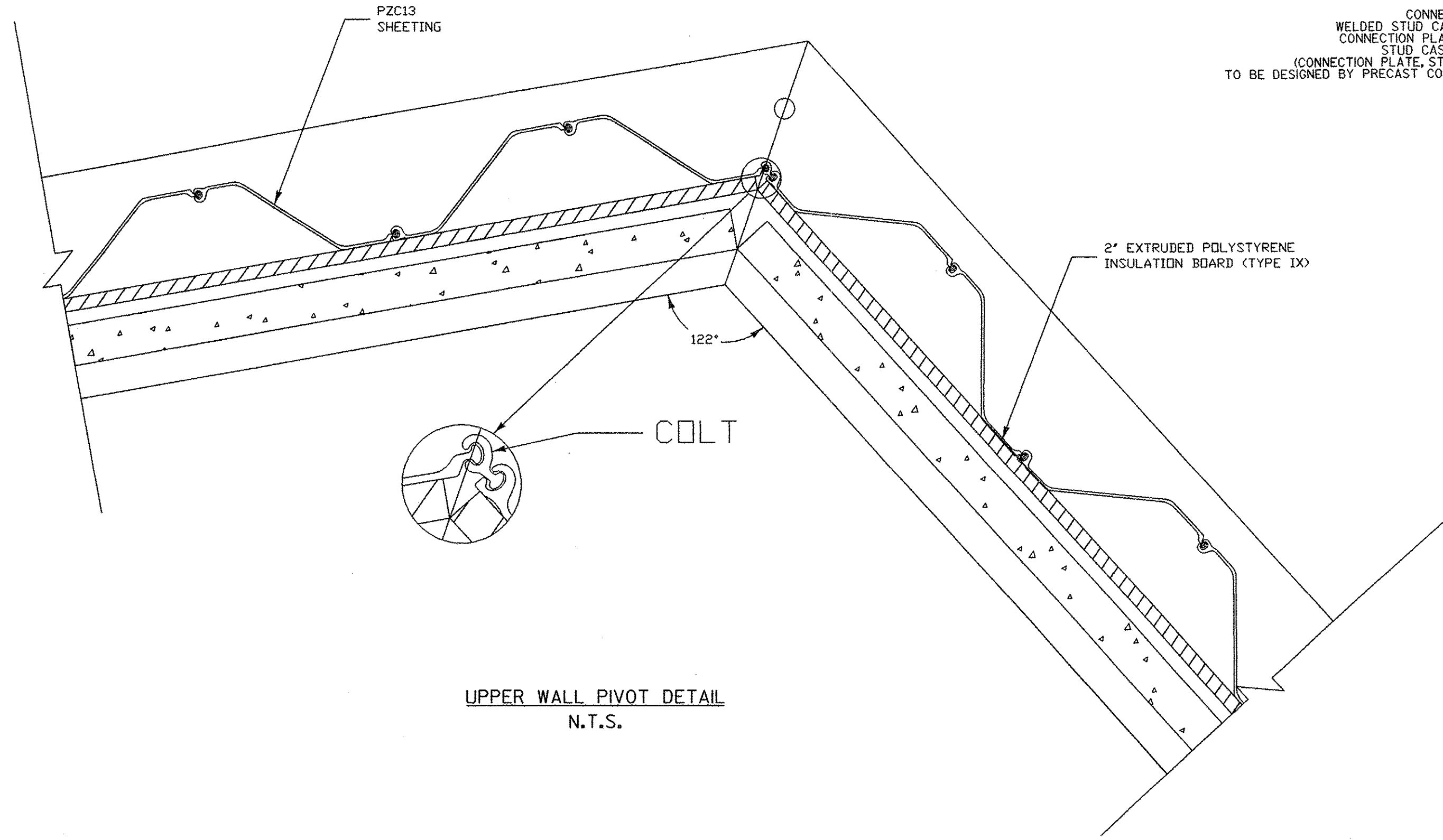


CONNECTION DETAIL WITH ANGLE (UPPER WALL)  
SCALE: 1" = 1'

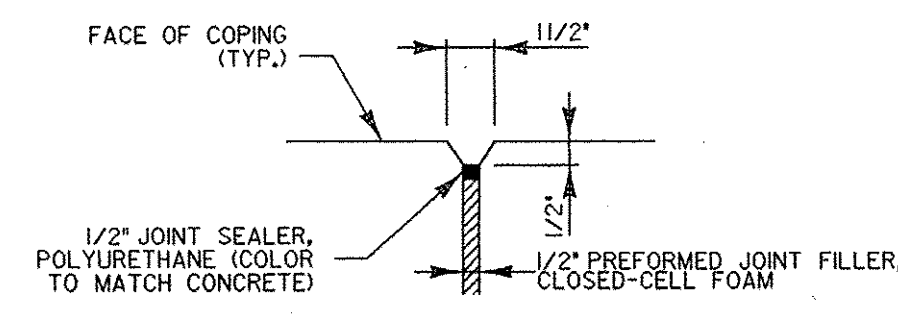
- NOTE:
1. PROVIDE A MINIMUM OF FOUR 1" ANGLES PER CONCRETE PANEL WITH A MINIMUM OF 8" OF WELD BETWEEN ANGLE AND SHEET PILING, PER ANGLE.
  2. ALTERNATIVELY, ONE ANGLE A MINIMUM OF 4" LONG WITH A MINIMUM OF 32" OF WELD BETWEEN THE ANGLE AND SHEET PILING MAY BE USED.
  3. PRECAST PANELS TO BE DESIGNED BY MANUFACTURER.



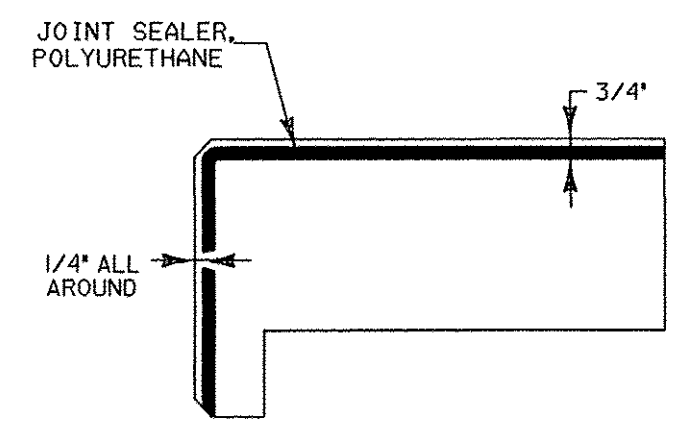
CONNECTION DETAIL BETWEEN ANGLE (UPPER WALL)  
SCALE: 1" = 1'



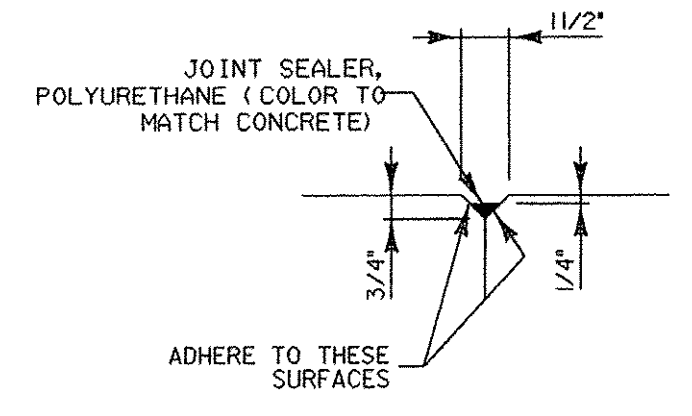
UPPER WALL PIVOT DETAIL  
N.T.S.



TYPICAL EXPANSION JOINT DETAIL  
N.T.S.



TYPICAL CONSTRUCTION JOINT DETAIL  
N.T.S.



CONSTRUCTION JOINT SEAL DETAIL  
N.T.S.

PROJECT NAME: HARTFORD  
 PROJECT NUMBER: RS 0113(40)  
 FILE NAME: ...z86c027walldet.dgn  
 PROJECT LEADER: D. HOWEY  
 DESIGNED BY: D. HOWEY  
 PLOT DATE: 3/13/2008  
 DRAWN BY: G. BARRETT  
 CHECKED BY: D. WOTRING  
 SHEET 13 OF 14