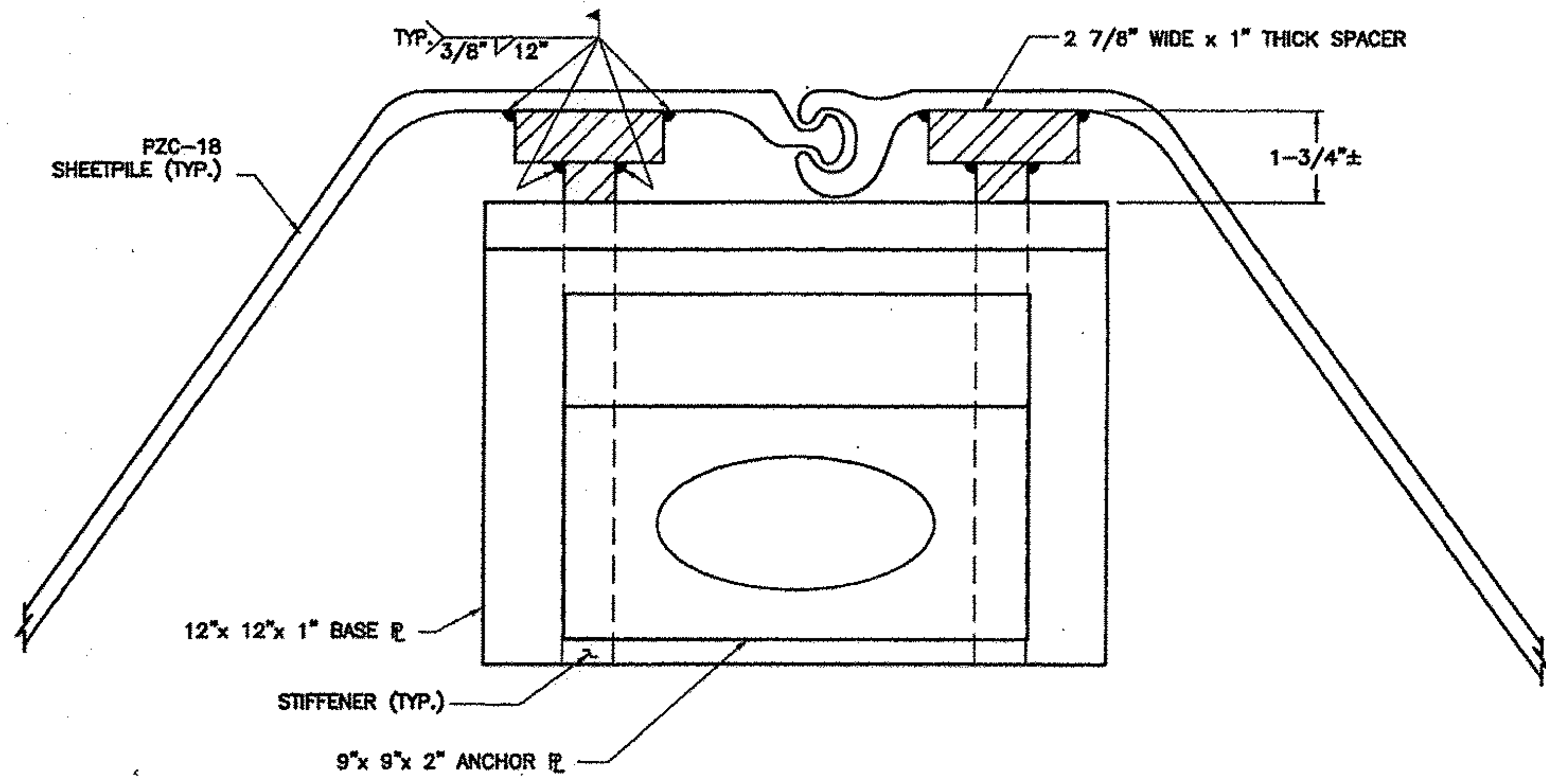


08\COMPLETED FILES 3-13-08\ACAD COPY of 2886c027\walllet.dwg

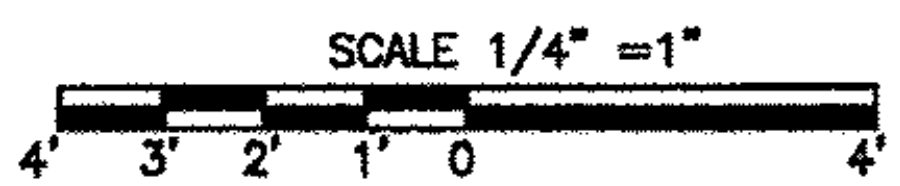


PLAN VIEW



GEOTECHNICAL ENGINEERS • ENVIRONMENTAL CONSULTANTS
 984 SOUTHFORD ROAD • MIDDLEBURY CONNECTICUT 06762
 TELEPHONE: (203)758-8836 FACSIMILE: (203)758-8842

US ROUTE 5
 HARTFORD, VERMONT
 STATE PROJECT NO. RS 0113(40)
 SHEETPILE TO TIEBACK
 BASEPLATE CONNECTION SKETCH



DRAWN BY: SMC REVIEWED BY: WJF

PROJECT NO. 1070-01.5
 DATE: 12/11/08
 FIGURE NO. SK-1