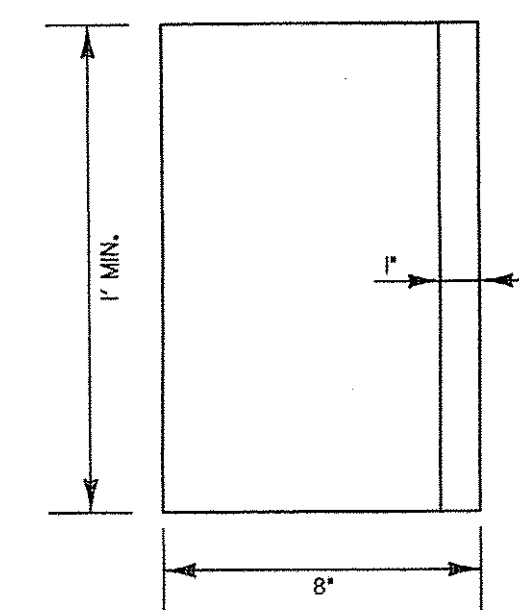
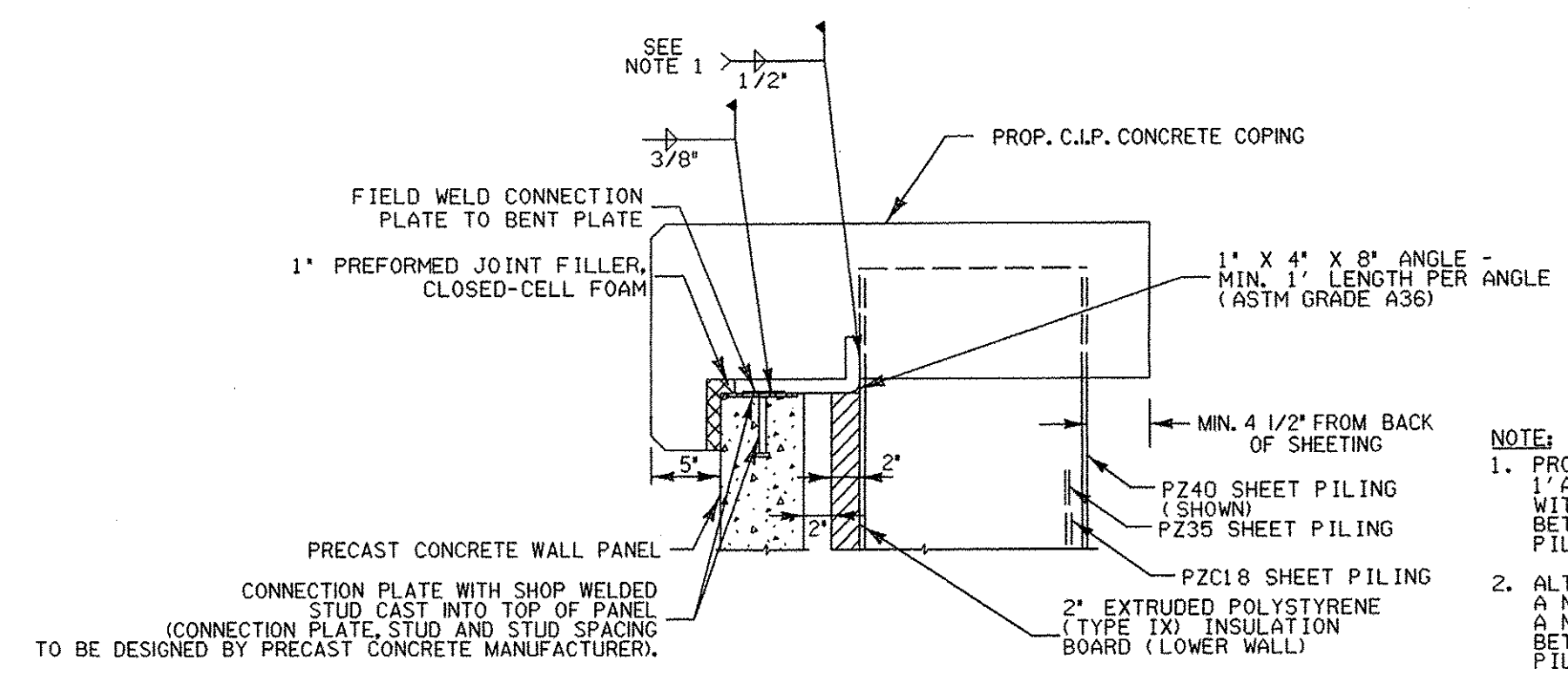


TYPICAL TOP OF COPING PLAN
SCALE: 1/2" = 1'



TOP OF ANGLE DETAIL
N.T.S.

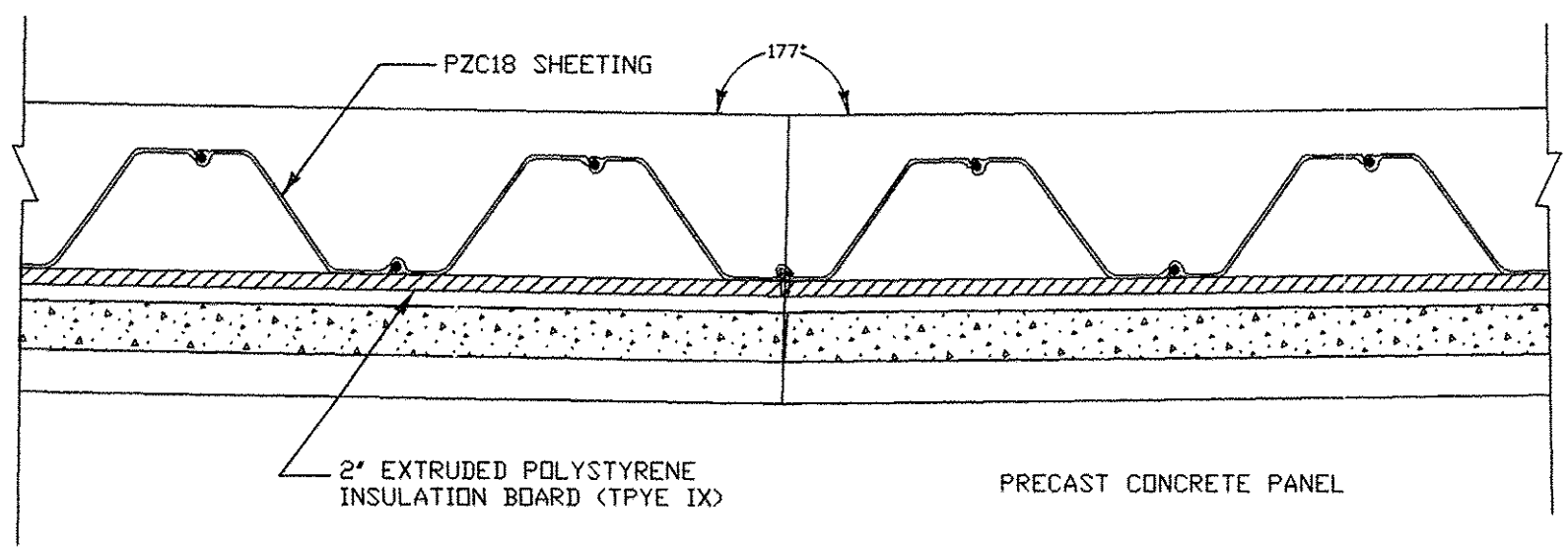


CONNECTION DETAIL WITH ANGLE (LOWER WALL)
SCALE: 1" = 1'

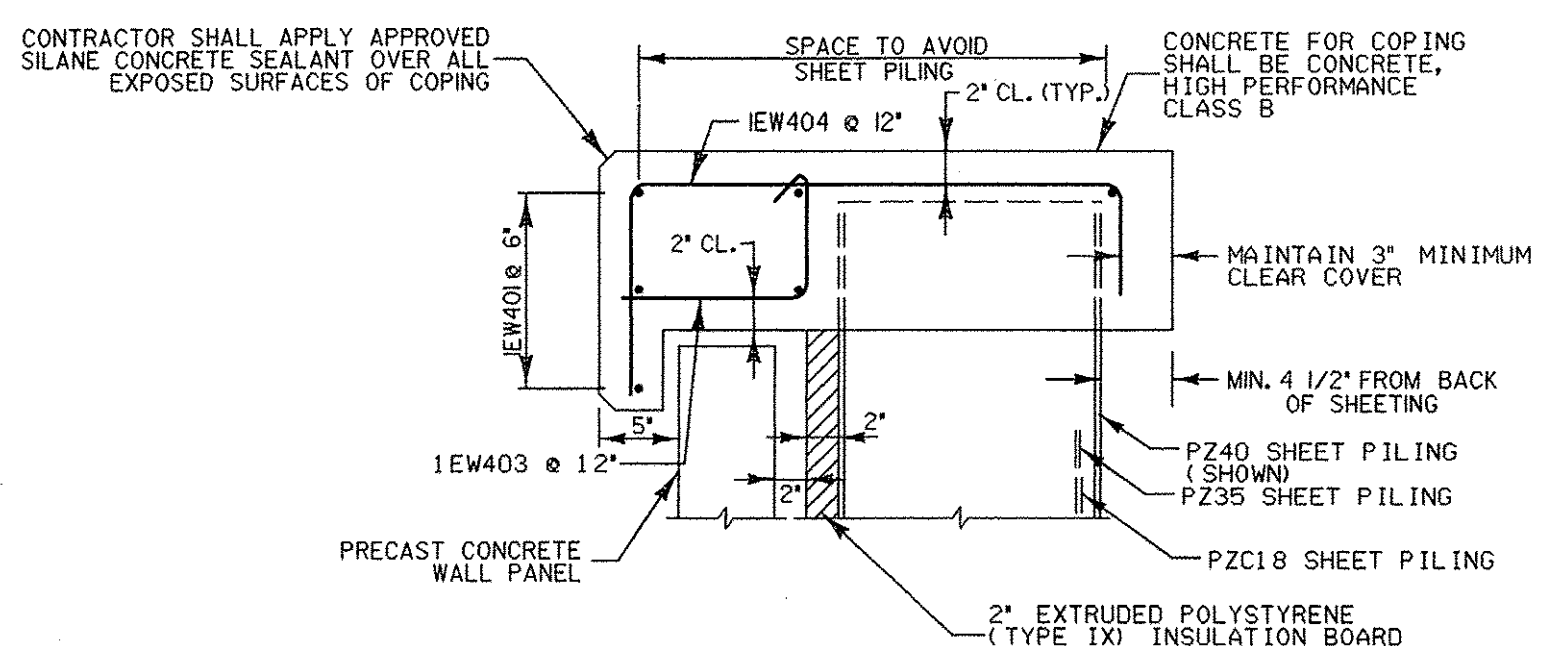
- NOTE:
1. PROVIDE A MINIMUM OF FOUR 1" ANGLES PER CONCRETE PANEL WITH A MINIMUM OF 8" OF WELD BETWEEN ANGLE AND SHEET PILING, PER ANGLE.
 2. ALTERNATIVELY, ONE ANGLE A MINIMUM OF 4' LONG WITH A MINIMUM OF 32" OF WELD BETWEEN THE ANGLE AND SHEET PILING MAY BE USED.
 3. PRECAST PANELS TO BE DESIGNED BY MANUFACTURER.

LOWER WALL COPING REINFORCEMENT TABLE									
EA.	SIZE	LENGTH	MARK	TYPE	A	B	C	D	J
108	4	30'-0"	IEW401	STR					
528	4	2'-2"	IEW403	2I	0'-7"	0'-8"	1'-0"		0'-5"
528	4	4'-4"	IEW404	1I	0'-7"	2'-7 1/8"	1'-1"		

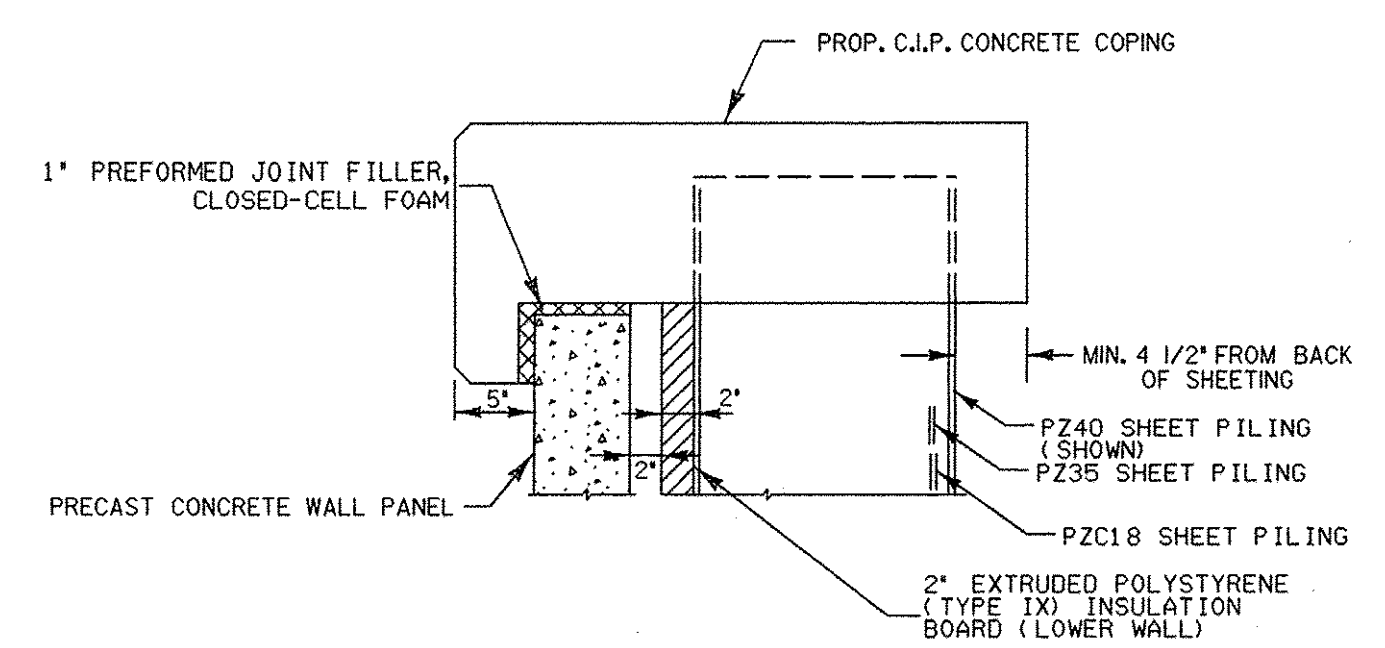
MINIMUM LAP SPLICE LENGTH SHALL BE 45 INCHES FOR COPING REINFORCING STEEL.



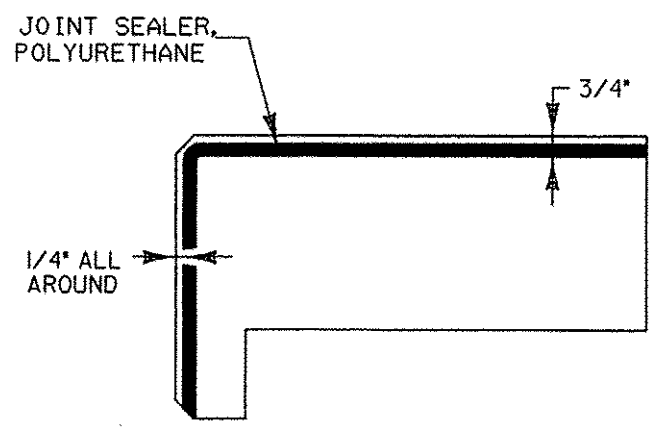
LOWER WALL PIVOT DETAIL
N.T.S.



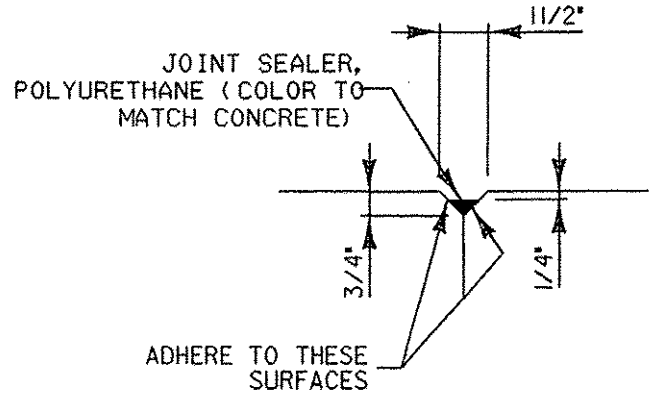
COPING REINFORCING DETAIL (LOWER WALL)
SCALE: 1" = 1'



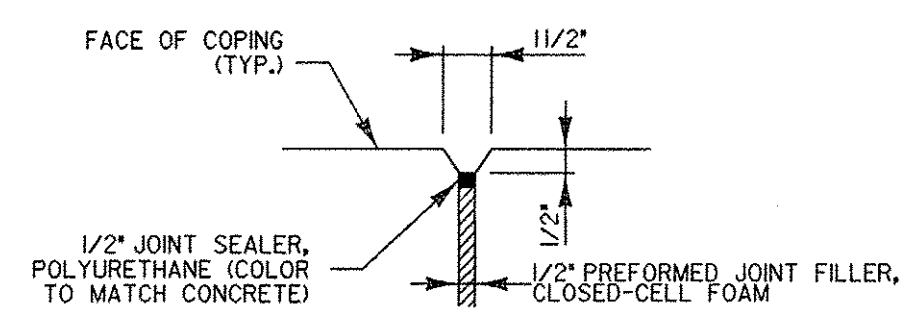
CONNECTION DETAIL BETWEEN ANGLES (LOWER WALL)
SCALE: 1" = 1'



LOWER WALL TYPICAL CONSTRUCTION JOINT DETAIL
N.T.S.



CONSTRUCTION JOINT SEAL DETAIL
N.T.S.



TYPICAL EXPANSION JOINT DETAIL
N.T.S.

PROJECT NAME: HARTFORD
 PROJECT NUMBER: RS 0113(40)
 FILE NAME: ...z86c027wallde+.DGN
 PROJECT LEADER: G. BARRETT
 DESIGNED BY: D. HOWEY
 PLOT DATE: 3/13/2008
 DRAWN BY: G. BARRETT
 CHECKED BY: D. WOTRING
 SHEET 11 OF 14