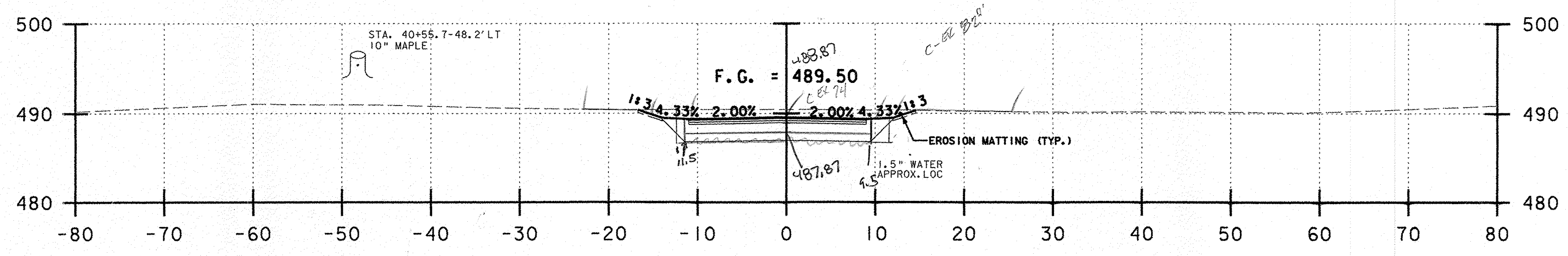


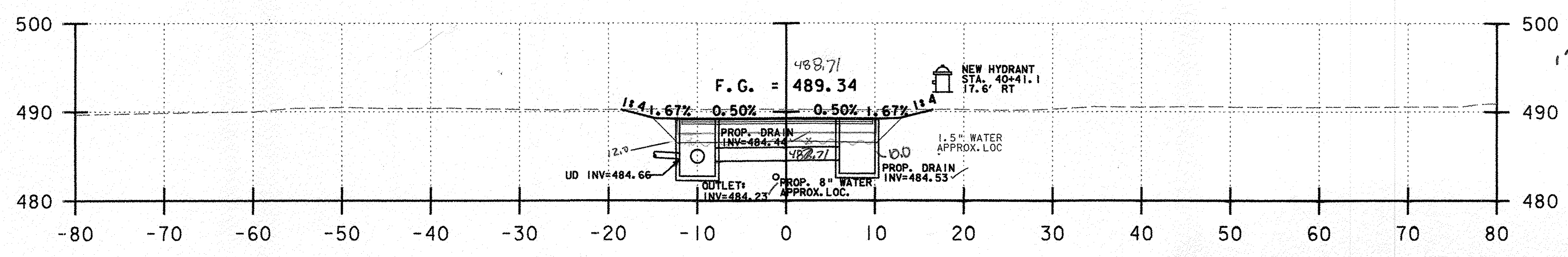
SUBBASE = 21.63 ✓  
 COMMON = 85.33F ✓  
 F.L. = 21' ✓  
 RCD 1/13/11  
 1/21/11

41+00.00  
 END APPROACH  
 MATCH EXISTING BCP



SUBBASE = 21.65 SF ✓  
 COMMON = 63.15F ✓  
 F.L. = 21' ✓  
 RCD 1/13/11  
 1/21/11

40+50.00



1' SUBBASE = 22.60 SF ✓  
 COMMON = 68.6 SF ✓  
 F.L. = 23' ✓  
 RCD 1/13/11  
 1/21/11

@ 40+27  
 C40+27 CURB-CURB WIDTH = 31' ✓  
 C40+37 CURB-CURB WIDTH = 23' ✓  
 COMMON DEPTH @ 6' = 2.6' ✓  
 COMMON = 68.6 + (2.6 x 8') = 89.4 SF ✓  
 SUBBASE = 22.6 + (8 x 1) = 30.6 SF ✓  
 F.L. = 23 + 8 = 31' ✓  
 1/21/11

40+36.06  
 SAG

**DEVIN STREET**

**NOTES:**  
 1) REFER TO ROADWAY LAYOUT AND UTILITY LAYOUT SHEETS FOR PROPOSED ABANDONMENT, REMOVAL, OR PROTECTION REQUIREMENTS OF EXISTING UTILITIES IN CONFLICT WITH PROPOSED WORK.

PROJECT NAME:	HARTFORD	PLOT DATE:	1/15/2007
PROJECT NUMBER:	RS 0113(40)	DRAWN BY:	E. ATKINS
FILE NAME:	z86c027xsl.dgn	CHECKED BY:	K. ISHIKURA
PROJECT LEADER:	KEN UPMAL	SHEET	237 OF 239
DESIGNED BY:	K. ISHIKURA		
	E. ATKINS		