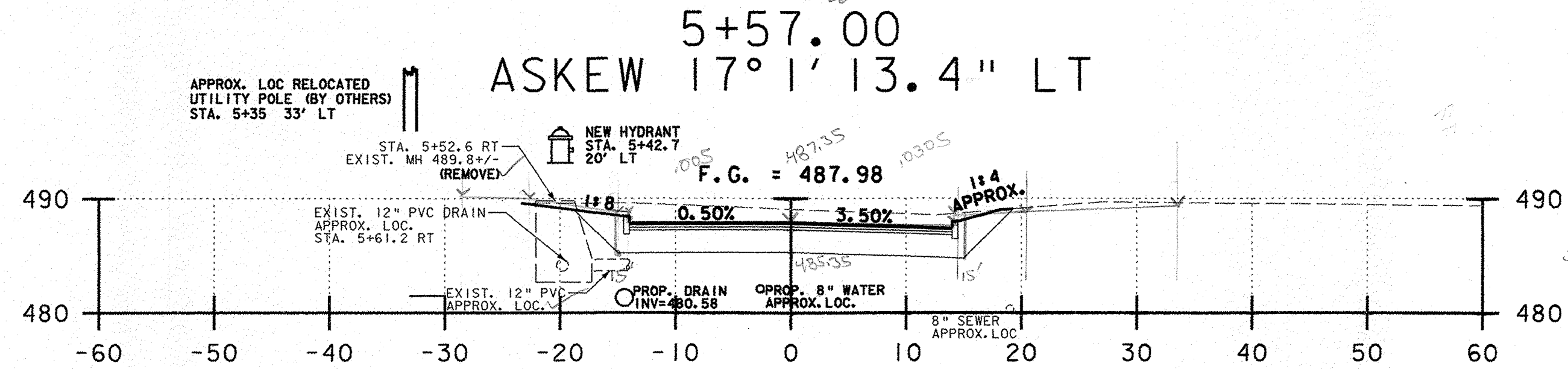
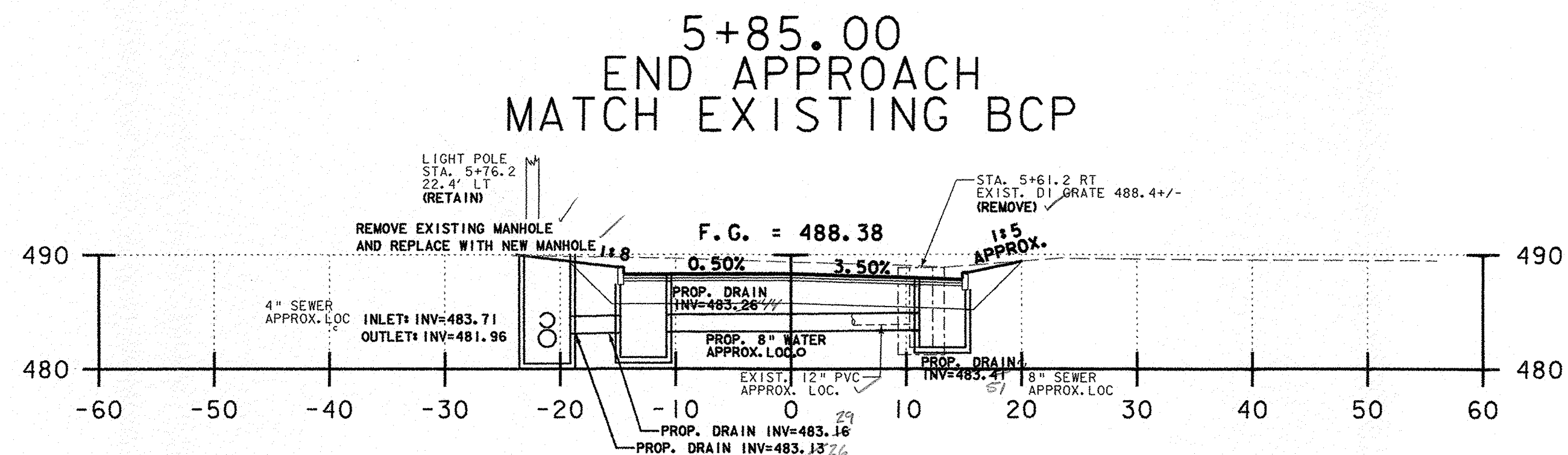


SUBBASE 58.63
 COMMON EXCAVATION $(14.5145) \times 2.63 = 76.27 \text{ SF}$
 F.L. = 29'
 1/20/11
 12/2/11



SUBBASE 60.71 SF
 COMMON EXCAVATION ROADWAY = $77 \times 1.55 = 119.35 \text{ SF}$
 F.L. = 30'

5122
 CURB-CURB WIDTH = 52' → 29'
 5+50 CURB-CURB WIDTH = 28'
 COMMON DEPTH ECU = 1'11"
 COMMON = $19.35 + (24 \times 4) = 215.35$
 SUBBASE = $60.71 + (24 \times 2) = 108.71$
 F.L. = 30 + 24 = 54 LF

WORCESTER AVE.

NOTES:

- 1) REFER TO ROADWAY LAYOUT AND UTILITY LAYOUT SHEETS FOR PROPOSED ABANDONMENT, REMOVAL, OR PROTECTION REQUIREMENTS OF EXISTING UTILITIES IN CONFLICT WITH PROPOSED WORK.

PROJECT NAME:	HARTFORD	PLOT DATE:	1/11/2007
PROJECT NUMBER:	RS 0113(40)	DRAWN BY:	E. ATKINS
FILE NAME:	z86c027xsl.dgn	CHECKED BY:	K. ISHIKURA
PROJECT LEADER:	KEN UPMAL	SHEET	228 OF 239
DESIGNED BY:	K. ISHIKURA		
	E. ATKINS		